



MUSTER 800 SPLIT

LIST OF THE EXPLODED VIEWS



SHELL ASSY

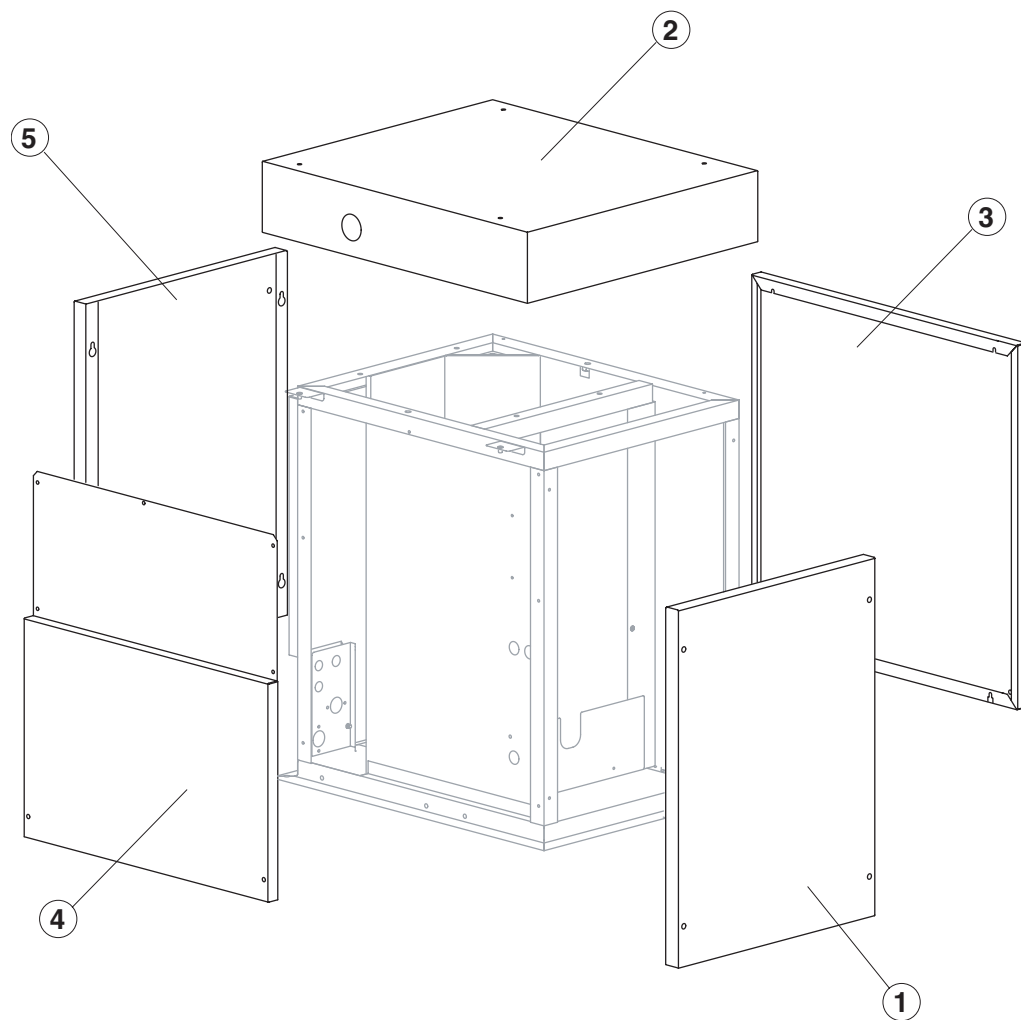
EVAPORATOR 2nd version

EVAPORATOR 1st version

PUMP

ELECTRIC PARTS

Rev. 8 - 02/04/2009



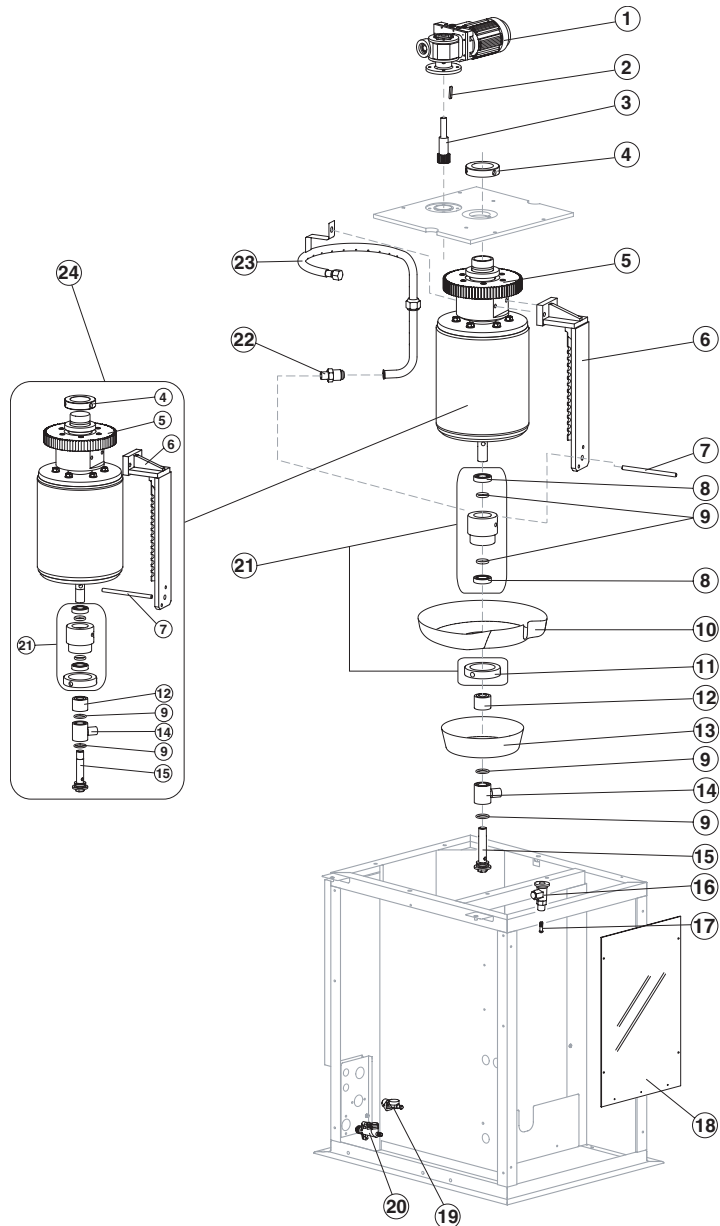
<i>Ref.</i>	<i>Spare Description</i>	<i>Code</i>
1	Front Panel	C22474B
2	Top Assembly	C22966
3	Right Side Panel	22445
4	Left Side Panel	22963
5	Rear Panel	22965



MUSTER 800 SPLIT

2nd version

EVAPORATOR



Ref.	Spare Description	Code
1	Gearmotor Assy	C23412
2	Key 6x6x40	20350
3	Pinion with Shaft for Gearmotor	C20344
4	Cylinder Locking Ring Nut	20365
5	Ring Gear	20363
6	Scraper	20358
7	M10 Tie Rod (to Block Scraper)	20369
8	Stainless Steel Bearing	20045
9	Silicone OR 4081 in Ring	20338
10	Rotating Basin	10191
11	Ring Nut for Rotating Ring	10194
12	Spacer	Current Version 10528
12	Spacer	Till s/n. 386259 20366
13	Fixed Basin	C10192
14	Water Inlet Ring	20851
15	Screw	20872
16	Expansion Valve	20734
17	Orifice	20733
18	Evaporator Chamber Shield	Current Version 10531
18	Evaporator Chamber Shield	Till s/n. 386259 10196
19	1 Way- Water Inlet Nipple	10368
20	Discharge Manifold	C10384
21	Complete Rotating Ring	C10193
22	Joint	20367
23	Sprayer Ring	C20357
24	Evaporator	Current Version C20879
24	Evaporator	Till s/n. 386259 KITNEVM800

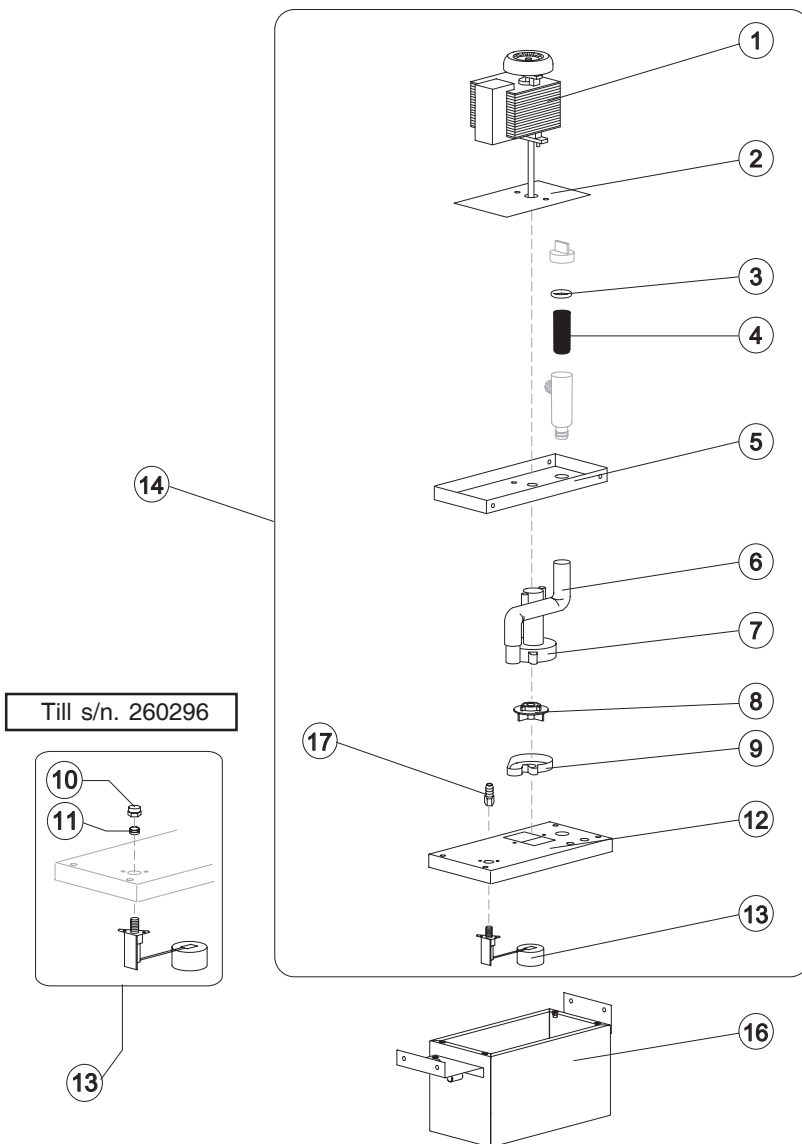
Rev. 8 - 02/04/2009



MUSTER 800 SPLIT

PUMP

Rev. 8 - 02/04/2009



Ref.	Spare Description	Code
1	Pump	See Table
2	Heat Dissipator	22430
3	Pump Filter Gasket	13080
4	Filtering Element	20254
5	Pump Motor Support	10161
6	Pump-Filter Connection Pipe	13084
7	Pump Body	10065
8	Pump Impeller	10138
9	Diffusor	10067
10	Nut	Till s/n. 260296 20404
11	Bush	Till s/n. 260296 20405
12	Water Pump Basin Cover	22420
13	Floating Valve	Current Version 10188
13	Floating Valve assy	Till s/n. 260296 C10188
14	Pump and Filter Assy	See Table
16	Water Pump Basin	C22443
17	Connection	20799

Ref. 1 - Pump

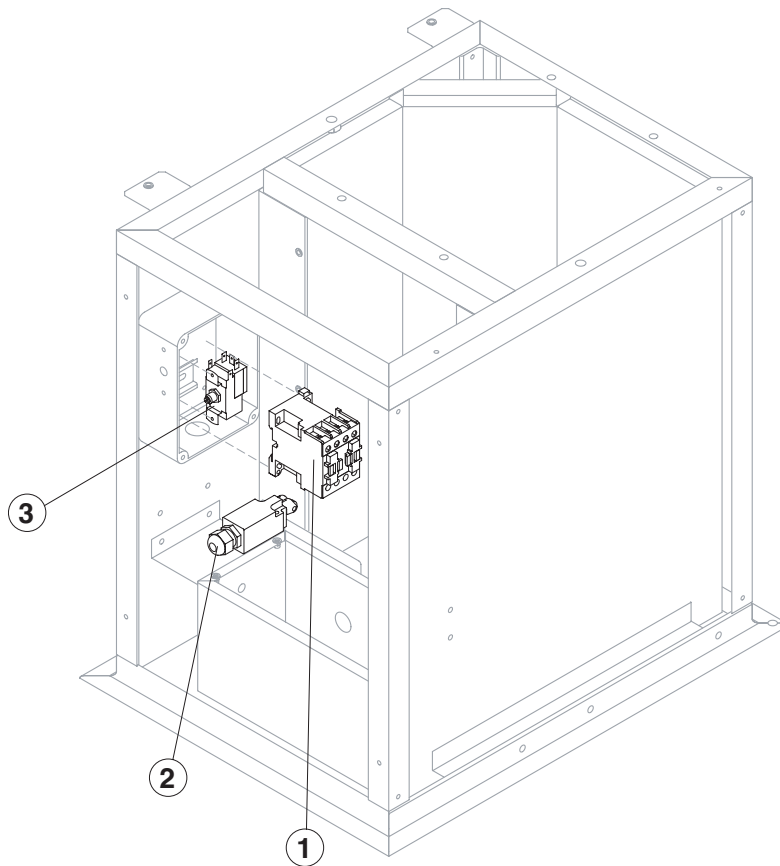
Tension	Code
T11	23073
T12	23187

Ref. 14 - Pump and Filter Assy

Tension	Code	Till Oct. 31st, 2007
T11	C26738	C26711
T12	C26739	C26712



Ref. 14 - For ice-makers with s/n. before 260297 ask also the Nut (ref. 10) and the Bush (ref. 11).



Ref.	Spare Description	Code
1	Contactor	23594
2	Microswitch for Overflow Ice	23746
3	Bin Thermostat	R23005