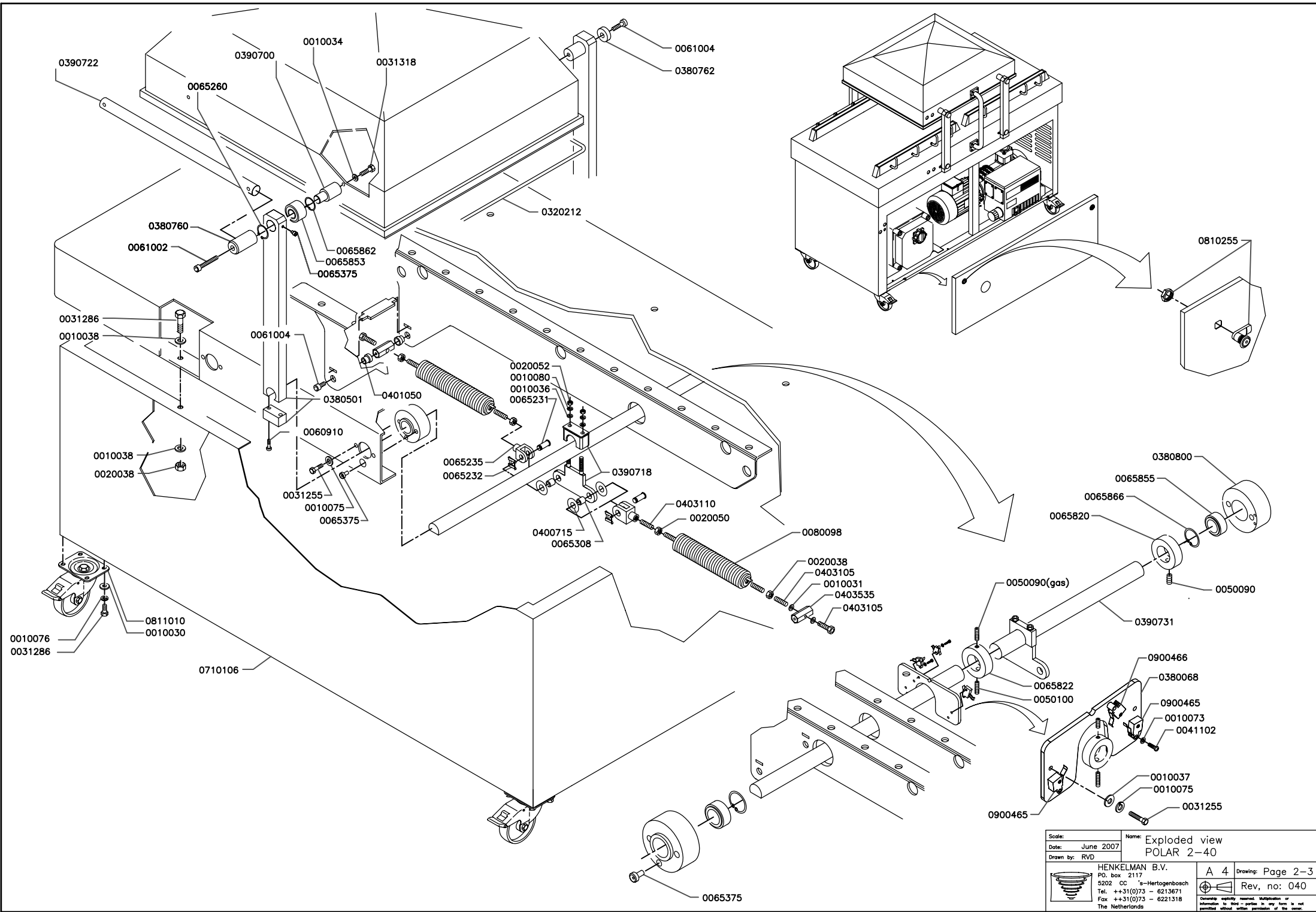
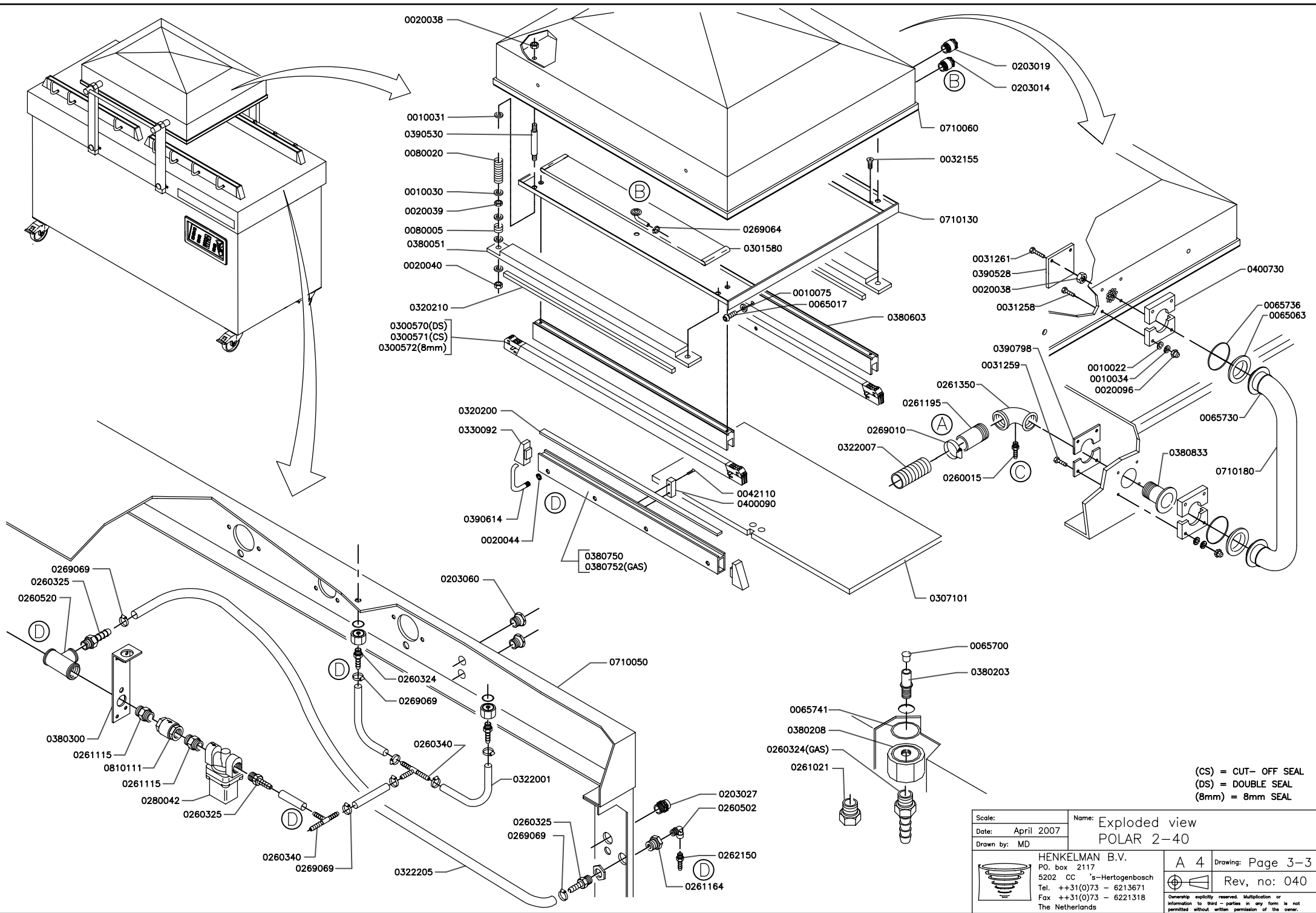


Scale:	Name:	<b>Exploded view</b> <b>POLAR 2-40</b>
Date: Jan 2009	Drawn by: MD	
HENKELMAN B.V. P.O. box 2117 5202 CC 's-Hertogenbosch Tel. ++31(0)73 - 6213671 Fax ++31(0)73 - 6221318 The Netherlands		
A 4 Drawing: Page 1-3 Rev. no: 050		<small>Ownership hereby reserved. Utilization or information in third parties is not permitted without written permission of the owner.</small>



Scale:	Name:
Date: June 2007	Exploded view
Drawn by: RVD	POLAR 2-40
HENKELMAN B.V.	
P.O. box 2117	
5202 CC 's-Hertogenbosch	
Tel. ++31(0)73 - 6213671	
Fax ++31(0)73 - 6221318	
The Netherlands	
A 4	Drawing: Page 2-3
Rev. no: 040	



Scale:	Name: Exploded view						
Date: April 2007	POLAR 2-40						
Drawn by: MD							
HENKELMAN B.V. P.O. box 2117 5202 CC 's-Hertogenbosch Tel. ++31(0)73 - 6213671 Fax ++31(0)73 - 6221318 The Netherlands	<table border="1"> <tr> <td>A 4</td> <td>Drawing: Page 3-3</td> </tr> <tr> <td colspan="2">Rev, no: 040</td> </tr> <tr> <td colspan="2"><small>Ownership explicitly reserved. Multiplication or information to third parties in any form is not permitted without written permission of the owner.</small></td> </tr> </table>	A 4	Drawing: Page 3-3	Rev, no: 040		<small>Ownership explicitly reserved. Multiplication or information to third parties in any form is not permitted without written permission of the owner.</small>	
A 4	Drawing: Page 3-3						
Rev, no: 040							
<small>Ownership explicitly reserved. Multiplication or information to third parties in any form is not permitted without written permission of the owner.</small>							