

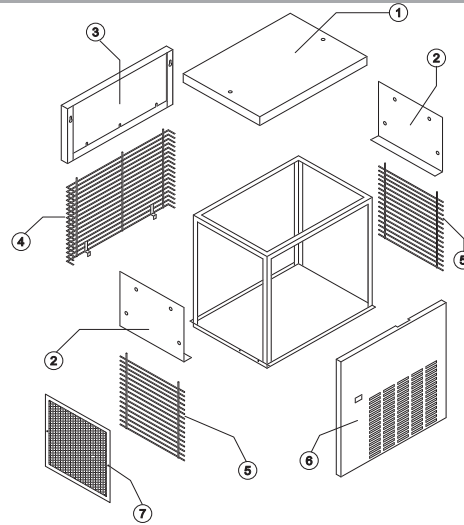


G 500

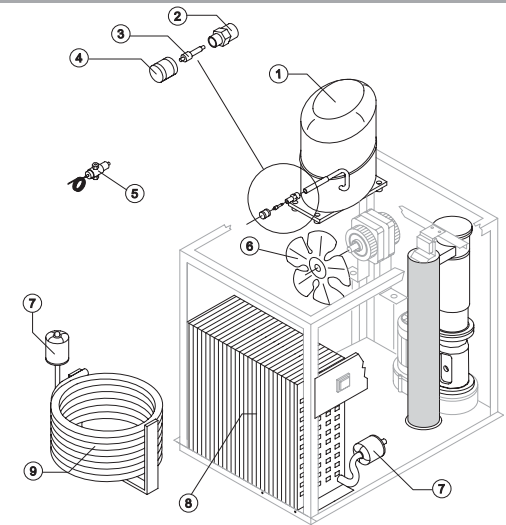
LIST OF THE EXPLODED VIEWS



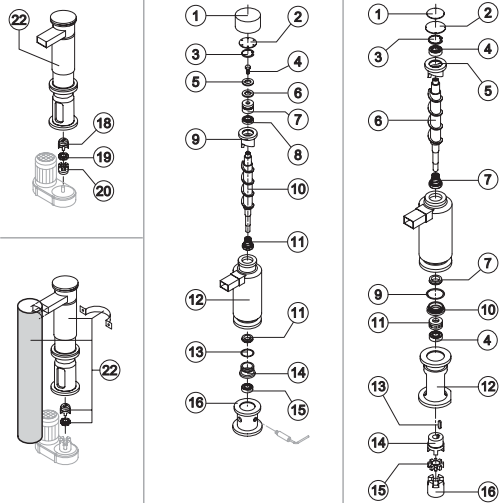
SHELL ASSY



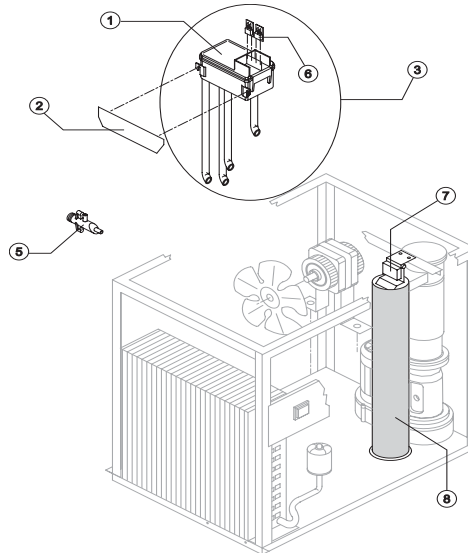
COOLING SYSTEM



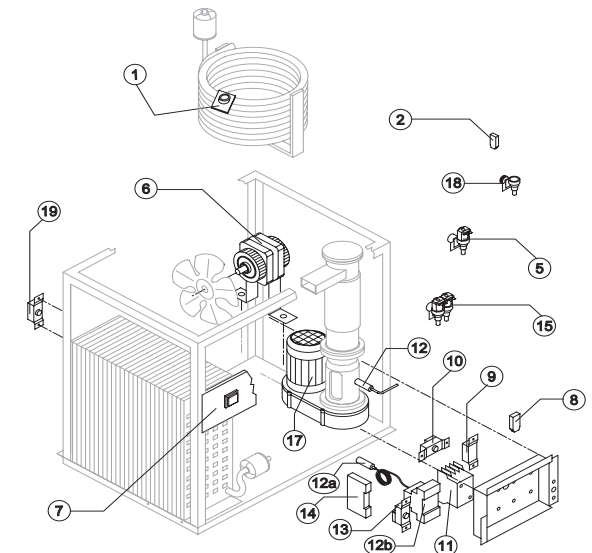
EVAPORATOR



HYDRAULIC CIRCUIT



ELECTRIC PARTS

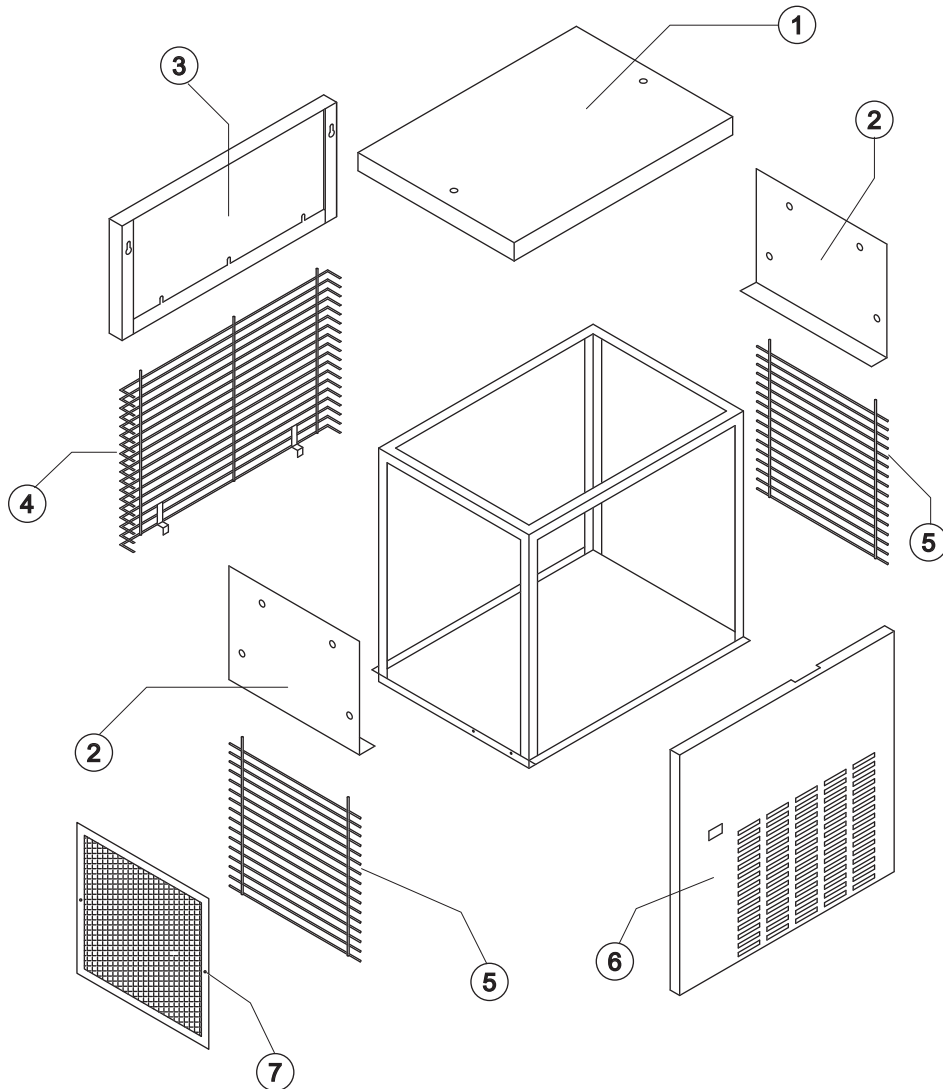


Rev. 4 - 20/10/2003



G 500

SHELL ASSY



Common Parts

Ref.	Spare Description	Code
1	Top	22667
2	Right/Left Panel	22663
3	Back Panel	22665
4	Back Grid	D12060
5	Lateral Grid	D12061
6	Front Panel Assembly	C22662B

Parts for Air-Cooled Version Only

Ref.	Spare Description	Code
7	Filter	18163

Rev. 4 - 20/10/2003



G 500

COOLING SYSTEM

Common Parts

Ref.	Spare Description	Code
1	Compressor	See Table
2	Vacuum-Charge Valve Body	14007
3	Vacuum-Charge Valve Device	14005
4	Vacuum-Charge Valve Plug	14006
7	Solid Core Drier	14084

Parts for Air-Cooled Version Only

Ref.	Spare Description	Code
6	Suction Fan	20407
8	Air Condenser	Current Version
8	Air Condenser Assy	Till s/n. 194938

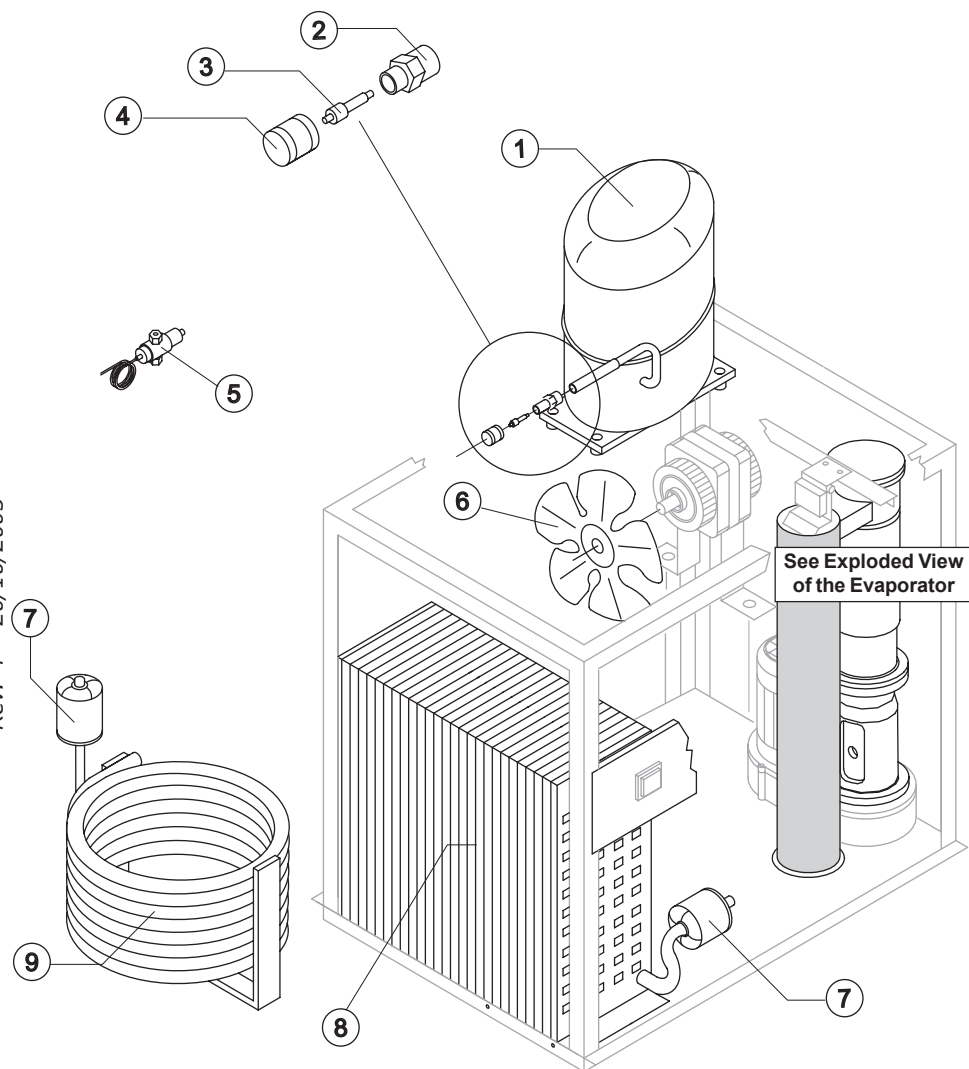
Parts for Water-Cooled Version Only

Ref.	Spare Description	Code
5	Pressure Valve	20210
6	Suction Impeller	10213
9	Water Condenser	14212

Ref. 1 - Compressor

Tension	Code	Notes
220/240V 50 Hz	23543	
220/230V 60 Hz	23642	
400V 3N 50 Hz	23588	Current Version
400V 3N 50 Hz	23589	Till s/n. 188963

Rev. 4 - 20/10/2003

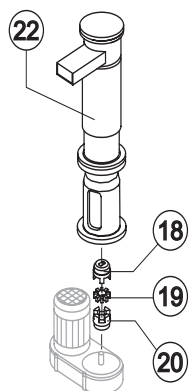




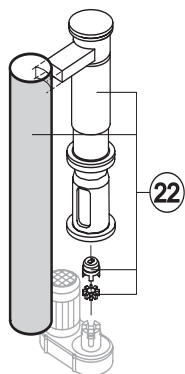
G 500

EVAPORATOR

Rev. 4 - 20/10/2003

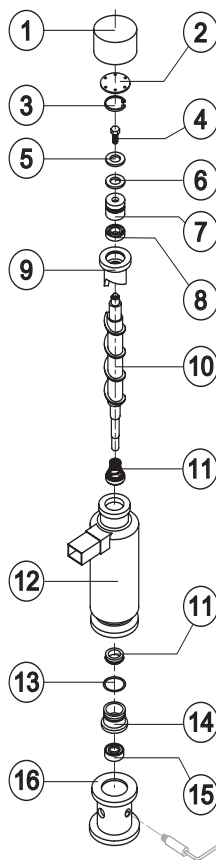


C11113



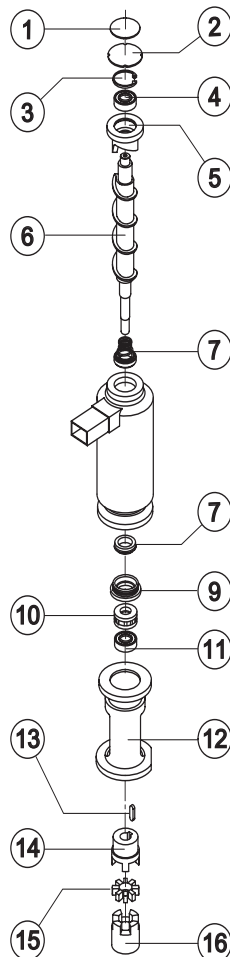
KITG500C11113

Current Version



**For Complete Evaporator,
order C11113**

Till s/n.155369



**For Complete Evaporator,
order KITG500C111103**

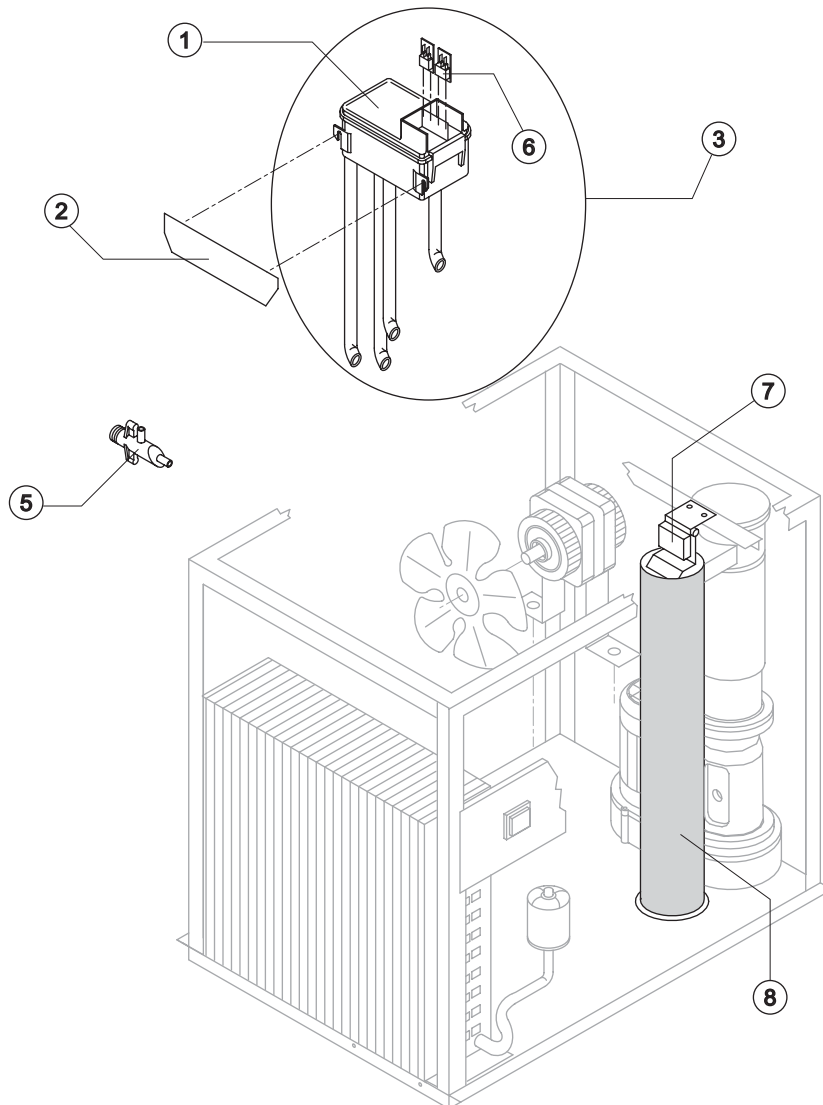
Ref.	Spare Description (Current Version)	Code
1	Insulating Top Panel	18165
2	Closing Disk	22670
3	Seeger	20116
4	Inox Screw	Current Version 20664
4	Inox Screw	Till s/n. 169028 15094
5	Shimming Disk	22829
6	Self-Lubricating Disk	20639
7	Stainless Steel Thrust Bearing	Current Version 20685
7	Stainless Steel Thrust Bearing	Till s/n. 205975 20648
8	OR Gasket 4137	Current Version 20689
8	Seal Ring	Till s/n. 205975 20640
9	Ice Breaker	20645
10	Auger with Screw	C20646
11	Ceramic Seal	20643
12	Foamed Evaporator	C11112
13	OR Gasket 4312 NBR	20205
14	Reduction Ring	20647
15	INOX Bearing	20113
16	Flange	20644
18	Semi-Joint Upper	D20642
19	Vibration-Damping Elastomer	20494
20	Semi-Joint Lower	D20493
22	Evaporator Assy	C11113

Ref.	Spare Description (Till s/n.155369)	Code
1	Insulating Cover	18125
2	Closing Disk	22670
3	Seeger	20116
4	Inox Bearing	20113
5	Ice Breaker	20503
6	Auger	20516
7	Ceramic Seal	20110
9	OR Gasket 4312 NBR	20205
10	Ring for Ceramic Seal	20504
11	Stainless Steel Thrust Bearing	20111
12	Flange	20482
13	Key	20431
14	Semi-Joint Upper	Current Version D20517
14	Semi-Joint Upper	Till s/n. 81178 D20493
15	Vibration-Damping Elastomer	20494
16	Semi-Joint Lower	D20493
22	Evaporator Assy	ex C11106 KITG500C11113



G 500

HYDRAULIC CIRCUIT



Common Parts

Ref.	Spare Description	Code
1	Double Switch Basin	10145
2	Basin Support Plate	21133
3	Double Switch Basin Assembly	C10314
6	Microswitch	23055
7	Bin Level Control Switch	C22099
8	Assembled Ice Outlet Pipe	C13115

Parts for Air-Cooled Version Only

Ref.	Spare Description	Code
5	Discharges Manifold	C10052

Parts for Water-Cooled Version Only

Ref.	Spare Description	Code
5	Discharges Manifold	C10053

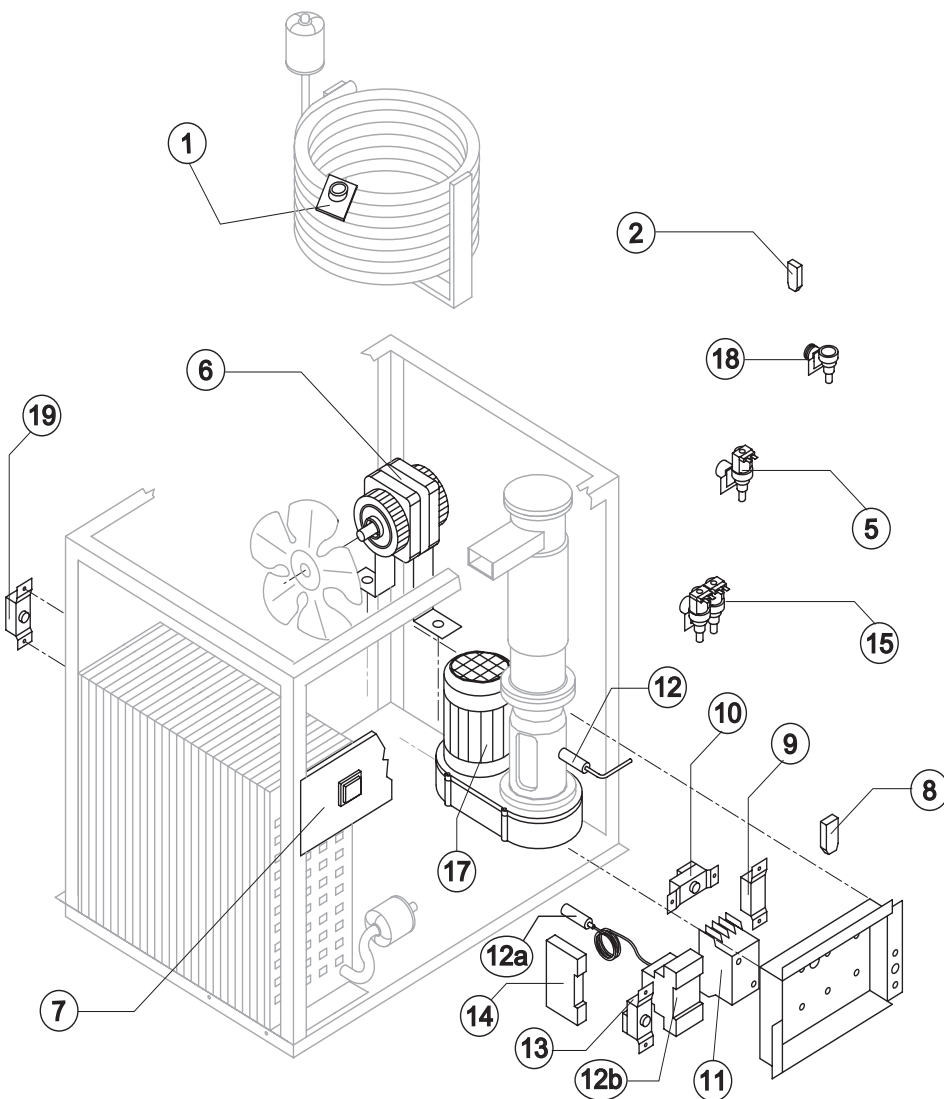
Rev. 4 - 20/10/2003



G 500

ELECTRIC PARTS

Rev. 4 - 20/10/2003



Common Parts

Ref.	Spare Description	Code
2	Anti Radio Interference Filter	220/240V 50 Hz and 400V 3N 50 Hz 23457
5	Inlet Watervalve 1 Way	23115
7	Green Light Switch	23327
10	Evaporator Thermostat	23034
11	Contactor	23147
12	Rotation Sensor	Current Version 23676
12a	Probe of the Rotation-Sensor Electrical Control Block	Till s/n. 188580 23634
12b	Rotation Sensor Switchboard	Till s/n. 188580 23633
13	Bin Thermostat	23421
14	Electronic Timer	Till s/n. 155369 23560
17	Gearmotor	Current Version 23638
17	Gearmotor	Till s/n. 155369 23571
19	Safety Thermostat	23342

Parts for Air-Cooled Version Only

Ref.	Spare Description	Code
6	Fan Motor	23121
8	Anti Radio Interference Filter	220/240V 50 Hz and 400V 3N 50 Hz 23459
9	Condenser Pressure Switch	23175

Parts for Water-Cooled Version Only

Ref.	Spare Description	Code
1	Safety Thermostat	Till s/n. 138027 C23114
6	Fan Motor	23029
15	Inlet Watervalve 2 Ways	Till s/n. 123470 C23192
18	1 Way Inlet Water Nipple	10368