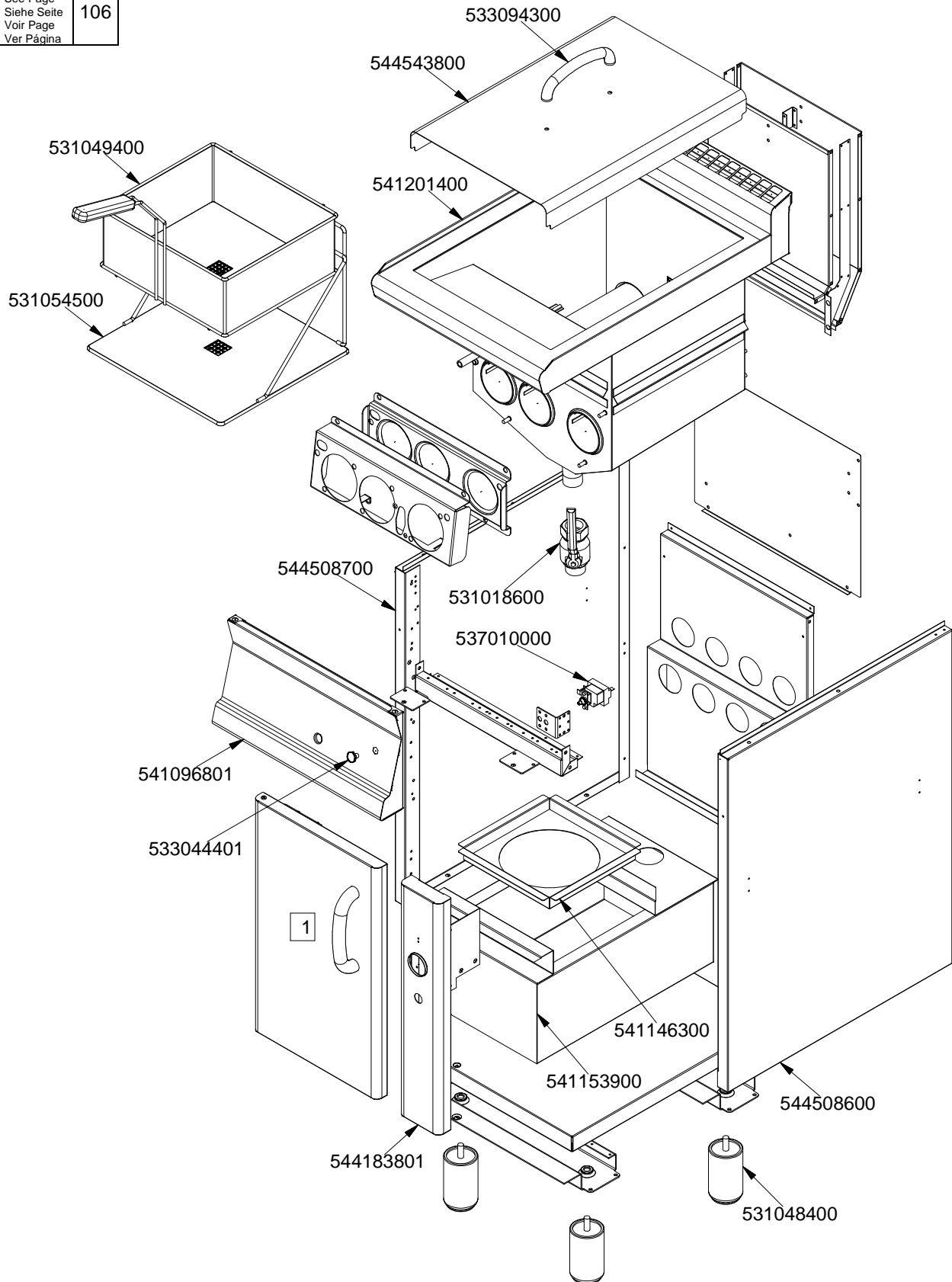


# MAGICLOTUS 60

CUCINE / RANGES / HERDE / CUISINIÈRES

**F13-64G**

	<b>1</b>
Vedi Pagina See Page Siehe Seite Voir Page Ver Pàgina	<b>106</b>

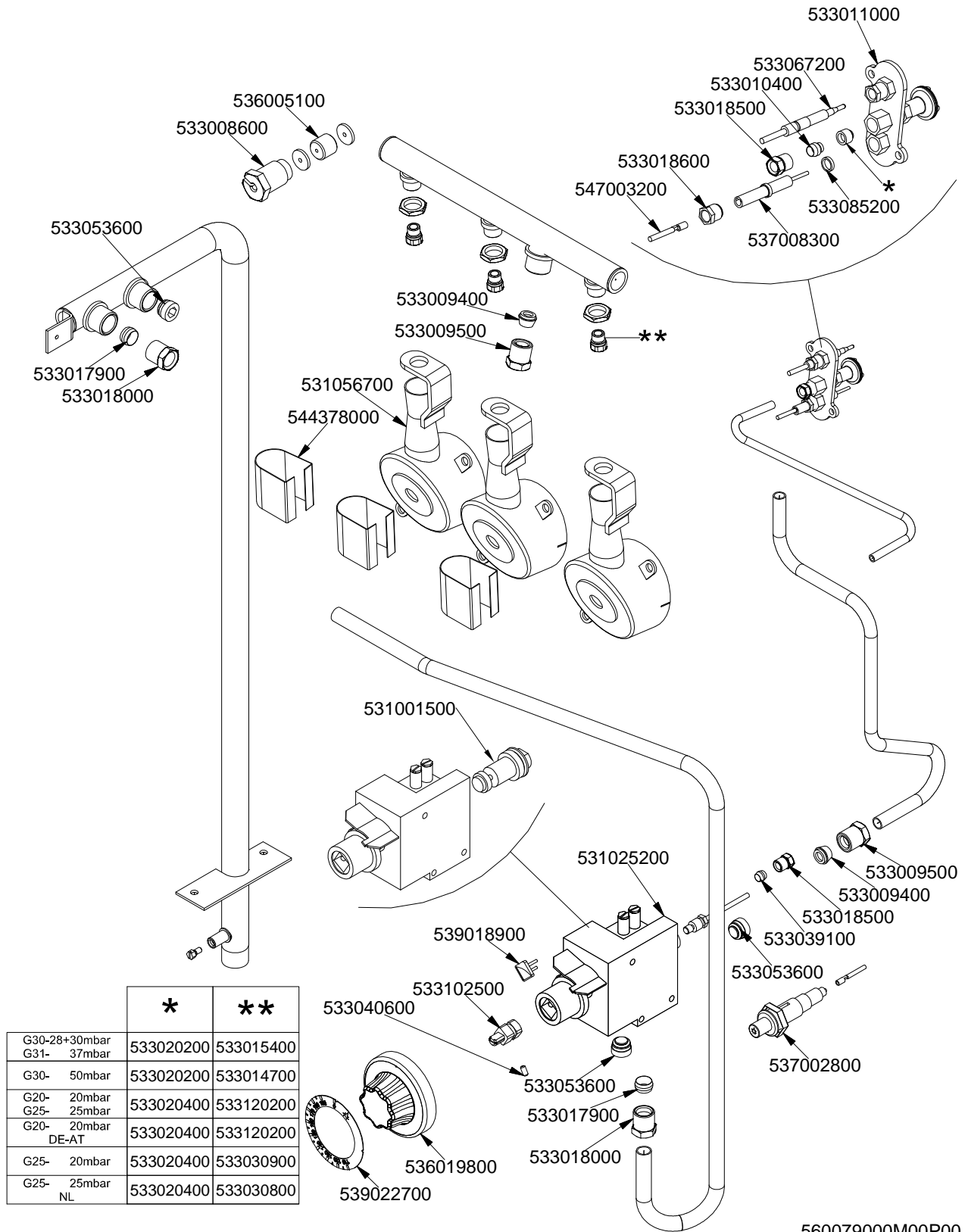


560078900M00P00

# MAGICLOTUS 60

CUCINE / RANGES / HERDE / CUISINIÈRES

## F13-64G



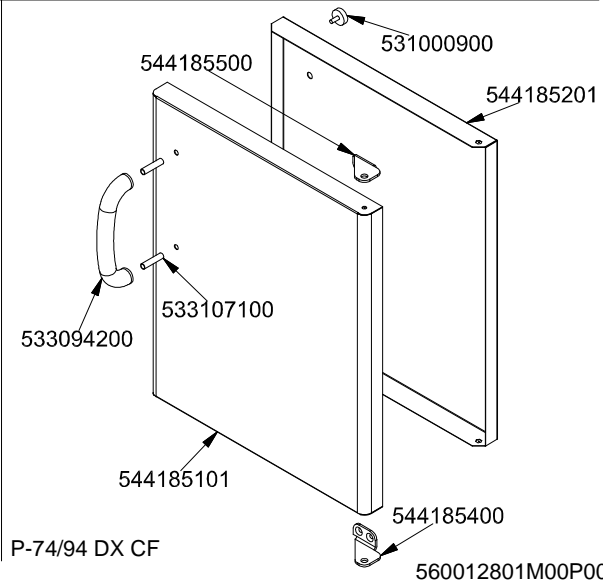
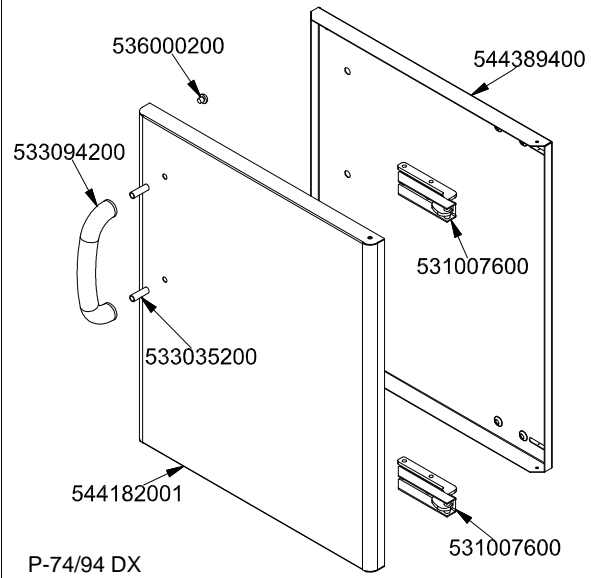
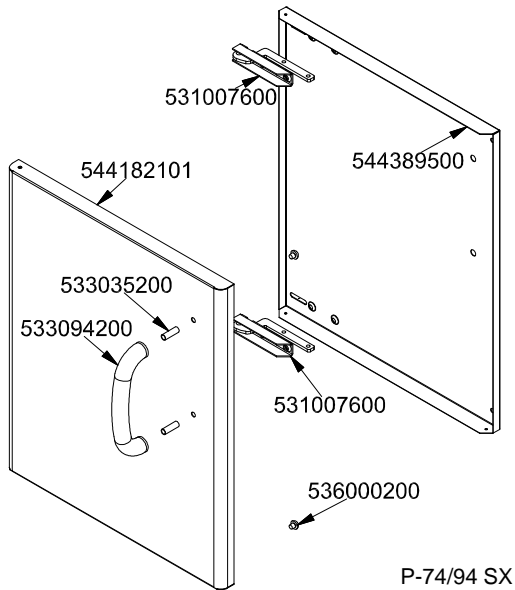
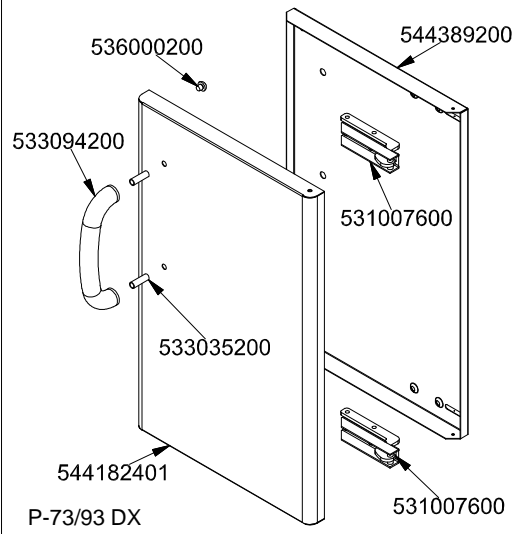
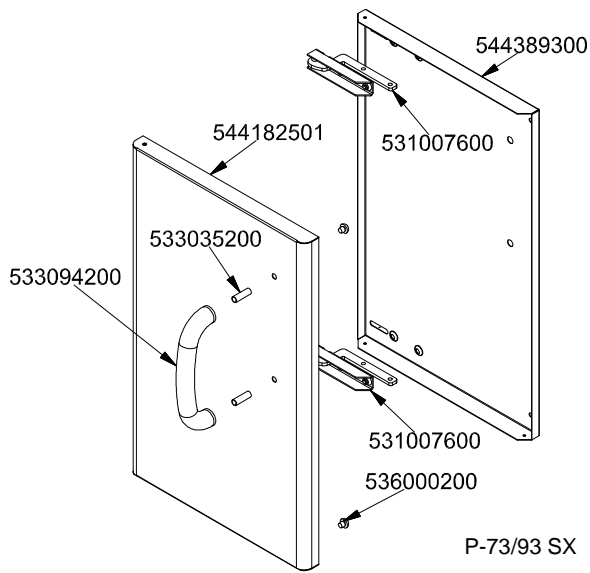
560079000M00P00.

# MAGICLOTUS 60

CUCINE / RANGES / HERDE / CUISINIÈRES

COMPONENTI COMUNI / STANDARDS PARTS / UEBLICHE TEILE / COMPOSANTS COMMUNS

## PORTE / DOORS / FLÜGELÜREN / PORTES



Page	Pos	Code	Description
001		533094300	S/S HANDLE FOR 600T.LINE
001		544543800	
001		544183801	LOWER CONTROL PANEL 74G
001		531049400	FRYER BASKET 301X273X120 F13-64G
001		541201400	UPPER PLATE F 13 -64G
001		531048400	INOX LEG Ø1"3/4 100-165 M10
001		531054500	TANK FILTER/BASKET SUPPORT F13-G60T
001		541146300	CONTROL PANEL FE-45 ORANGE *NEW L.*
001		544508700	
001		531018600	BALL VALVE 1"G M-F CPM-62G
001		537010000	SAFETY THERMOSTAT 220°C SINGLEPHASE
001		541153900	BASIN FOR DRIP TRAY 18LT S55
001		544508600	
001		541096801	CONTROL PANEL S607090 F13 -74G
001		533044401	M8 THREADED CAP FOR SEC.THERMOSTAT
002		533011000	PILOT BURNER 3 FLAMES 320
002		533067200	THERMOCOUPLE 220+500 M9*1 CUT-OFF
002		533010400	BICONE D.6
002		536005100	GRAPHITE §07,4 GASKET
002		533018500	FITTING FOR BICONE D.6 M10*1
002		533008600	STUFFING BOX M9*1
002		533018600	PLUG FITTING
002		547003200	HIGH-VOLTAGE CABLE TUBE.§2 L=500
002		533085200	
002		533053600	EUROSIT VALVE PLUG
002		537008300	ROUND PLUG §2,4- LONG ELECTRODE
002		533009400	BICONE 10S
002		533009500	NIPPLE FOR BICONE 10S
002		533017900	BICONE D.12
002		533018000	ELBOW FOR BICONE D.12 3/8 RS L20
002		544378000	
002		531056700	BURNER FOR FRYER 60T+55
002		531001500	MAGNET FOR EUROSIT VALVE
002		531025200	EUROSIT VALVE FQ 110-190°C
002		539018900	INDEX FOR KNOB
002		533039100	BICONE §6
002		533102500	
002		533040600	HEADLESS SCREW M4*8
002		537002800	PIEZOELECTRIC IGNITION M18
002		536019800	BLACK KNOB §70 PIN §8*6,5
002		539022700	ADHESIVE GRADUATED DISC FOR KNOB
002		533020200	PILOT JETS 0160 FOR LPG §30
002		533015400	NOZZLE §93 CH12*14 G-PC4 R
002		533014700	NOZZLE §85 CH12*14 F-FQ5
002		533020400	NOZZLE 0160 (NATURAL GAS) 51
002		533120200	NOZZLE CH12X14,0 Ø148
002		533030900	NOZZLE §165 CH12X14 H-CW
002		533030800	NOZZLE §155 CH12X14 M-CW
003		533094200	S/S HANDLE FOR 70/90 SERIES
003		533035200	
003		544182501	LEFT DOOR 73

Page	Pos	Code	Description
003		544389300	
003		531007600	DOOR HINGE
003		536000200	D.12 H.4 BUMPER
003		544389200	
003		544182401	RIGHT DOOR 73
003		544389500	INNER-DOOR OF LHD 74
003		544182101	LEFT DOOR 74
003		544182001	RIGHT DOOR 74
003		544389400	
003		531000900	MAGNET §22 KG.3 WITH DISK
003		544185201	
003		544185500	UPPER DOOR HINGE FOR COMPARTME CF70
003		533107100	
003		544185101	RIGHT DOOR 74 CF
003		544185400	LOWER DOOR HINGE FOR COMPARTME CF70