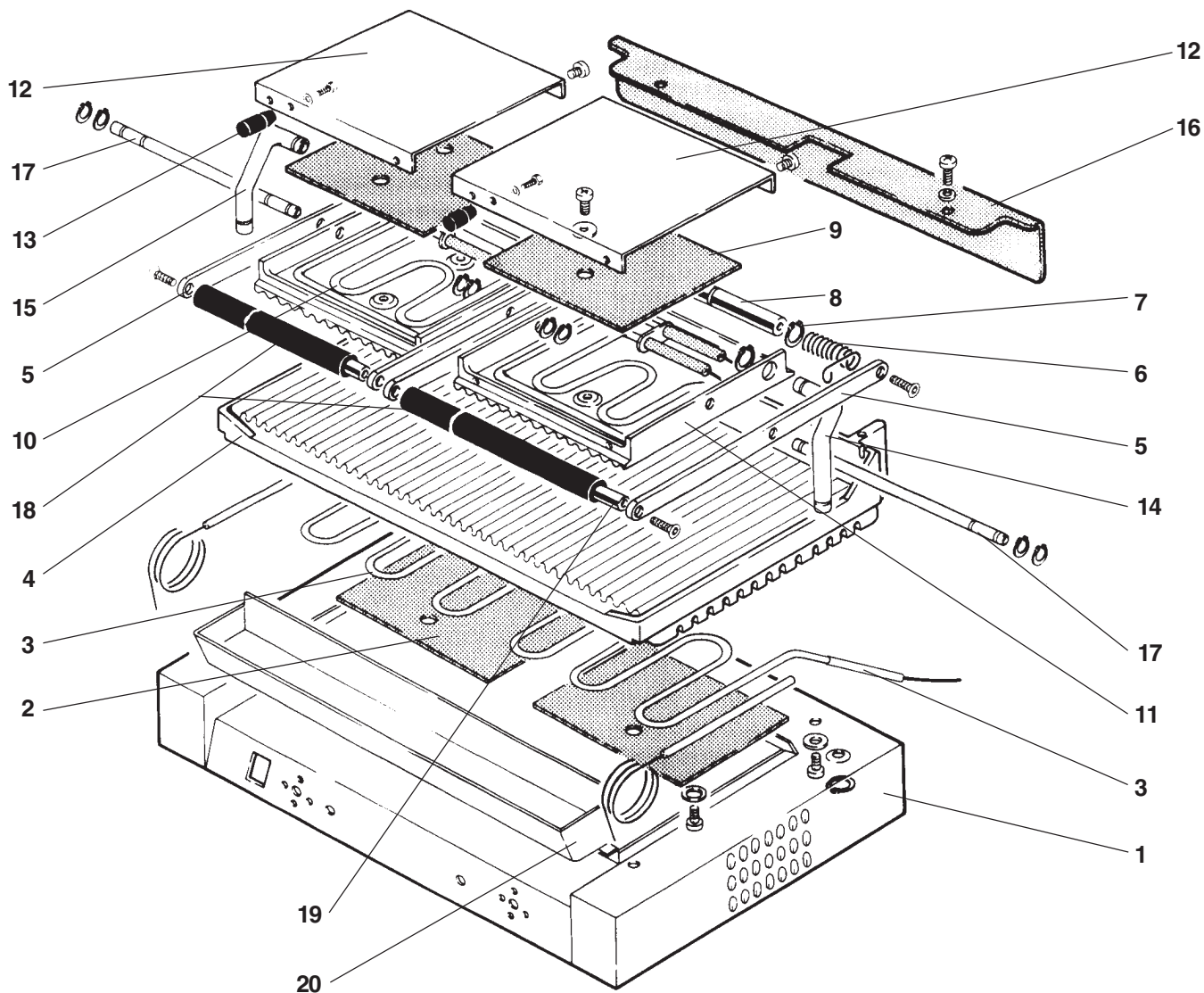


Pos	COD.	DESCRIZIONE	DENOMINATION	DESCRIPTION	BEZEICHNUNG
1	902013	BASAMENTO	SOCLE	BASE	SOCKEL
2	905438	PIASTRAISOLANTE	PLAQUE	PLATE	PLATTE
3	902780	FONDO	FOND	BOTTOM	UNTERSEITE
4	904960	PIEDINO	PIEDSUPPORT	FEET	SOCKEL
5	906290	SPAZZOLA	BROSSE	BRUSH	BRÜSTE
6	903629	LAMPADA SPIA	LAMPE	LAMPE	KONTROLLAMPE
7	903970	MANOPOLA	BOUTON	KNOB	KNOPF
8	905341	INTERRUTTORE	INTERRUPTEUR	MAIN SWITCH	SCHALTER
9	907130	TERMOSTATO 0°-300°	THERMOSTAT	THERMOSTAT	THERMOSTAT
10	905070	MORSETTIERA	BORNES	WIRING HARDNESS	KLEMMENLEISTE
11	907101	TERMOSTATO SICUREZZA	THERMOSTAT DE SECURITÉ	SAFETY THERMOSTAT	SICHERHEIT THERMOSTAT
12	902687	PRESSACAVO	FIXAGE DE CABLE	FIXING CABLE	KABELBEFESTIGER
13	901190	CAVOD'ALIMENTAZIONE	CABLE D'ALIMENTATION	INPUT CABLE	SPEISKABLE



Pos	COD.	DESCRIZIONE	DENOMINATION	DESCRIPTION	BEZEICHNUNG
1	902013	BASAMENTO	SOCLE	BASE	SOCKEL
2	904926	PREMIRESISTENZA	FIXAGE DE RESISTANCE	FIXING HEATING ELEMENT	HEIZKÖRPERBEFESTIGER
3	905670	RESISTENZA 1000 W	RESISTANCE	HEATING ELEMENT	HEIZKÖRPER
4	904840	PIASTRA INFERIORE	PLAQUE INFERIOR	LOWER PLATE	UNTERE PLATE
5	901027	BRACCIO LATERALE	BRAS	ARM	AUSLEGER
6	904081	MOLLA SX	RESSORT GAUCHE	LEFT-HAND SPRING	LINKE FEDER
6	904080	MOLLA DX	RESSORT DROITE	RIGHT-HAND SPRING	RECHTE FEDER
7	906120	SEEGER D.10	SEEGER	SEEGER	SEEGERSICHERUNG
8	900063	ALBERO POSTERIORE	ARBRE POSTERIEUR	BACK SHAFT	HINTERWELLE
9	904925	PREMIRESISTENZA	FIXAGE DE RESISTANCE	FIXING HEATING ELEMENT	HEIZKÖRPERBEFESTIGER
10	905650	RESISTENZA 750 W	RESISTANCE	HEATING ELEMENT	HEIZKÖRPER
11	904920	PIASTRA SUPERIORE DX	PLAQUE SUPERIEUR DX	RIGHT UPPER PLATE	RECHTE OBERE PLATTE
11	904921	PIASTRA SUPERIORE SX	PLAQUE SUPERIEUR SX	LEFT UPPER PLATE	LINKE OBERE PLATTE
12	901790	COPERTURA PIASTRE	COUVERCLE	COVER	DECKEL
13	905050	MANOPOLA	BOUTON	KNOB	KNOPF
14	907373	TUBO PASS. CAVI DX	TUBE DROITE	RIGHT PIPE	RECHTER ROHR
15	907372	TUBO PASS. CAVI SX	TUBE GAUCHE	LEFT PIPE	LINKE ROHR
16	900940	CARTER	CARTER	CARTER	SCHÜTZ
17	900072	ALBERO CENTRALE	ARBRE CENTRAL	CENTRAL SHAFT	ZENTRALWELLE
18	903930	MANIGLIA	POIGNÉE	HANDLE	HANDGRIFF
19	900042	ALBERO ANTERIORE	ARBRE ANTERIEUR	FRONT SHAFT	DER VORDERE WELLEN
20	901097	CASSETTO	TIROIR	DRAWER	SCHUBLADE