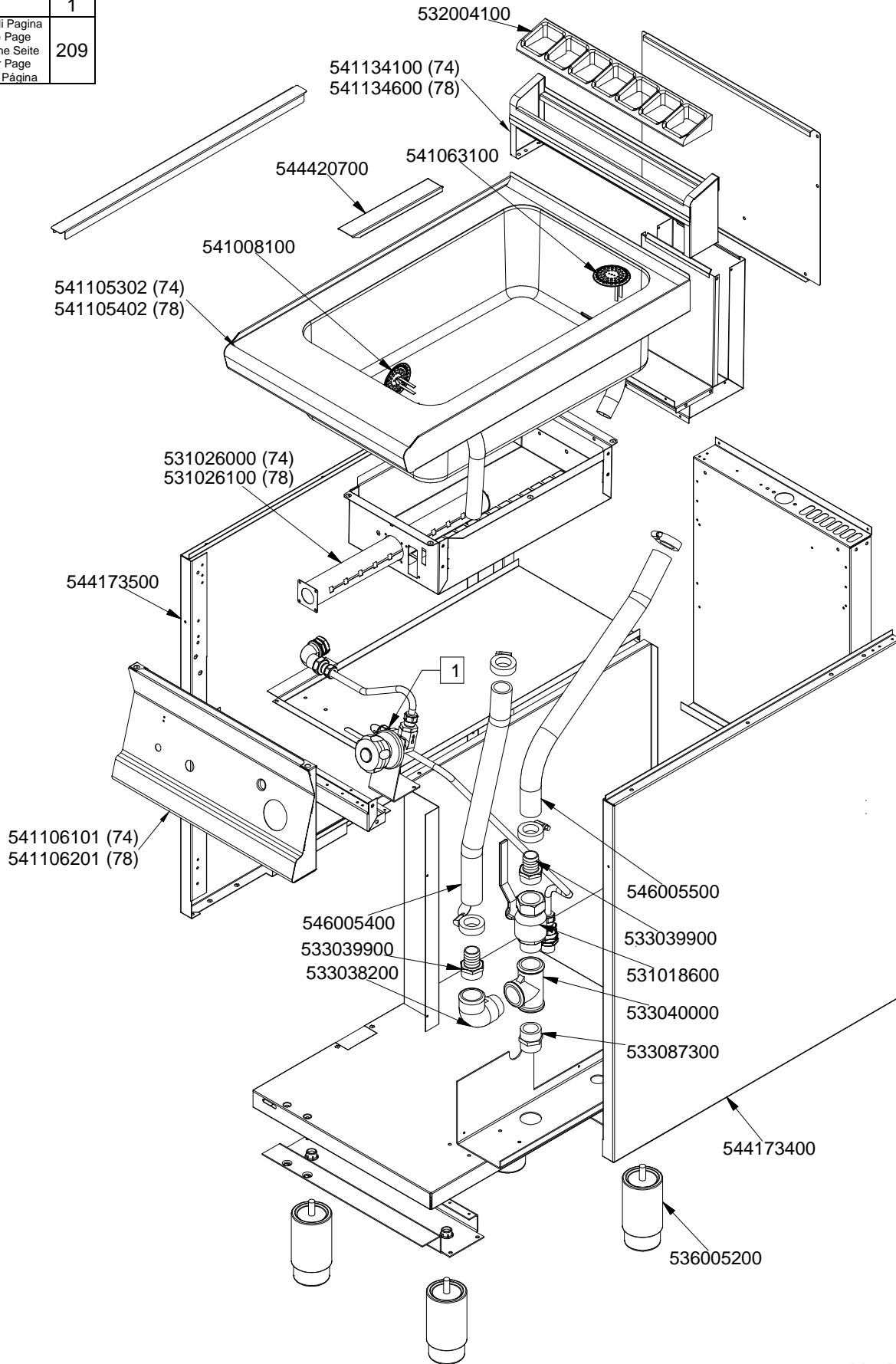


# SUPERLOTUS 70≥0602

GAS / GAS / GAS / GAZ

## BM-74G BM-78G N°≥0706

|   |     |
|---|-----|
|   | 1   |
| Vedi Pagina<br>See Page<br>Siehe Seite<br>Voir Page<br>Ver Página | 209 |

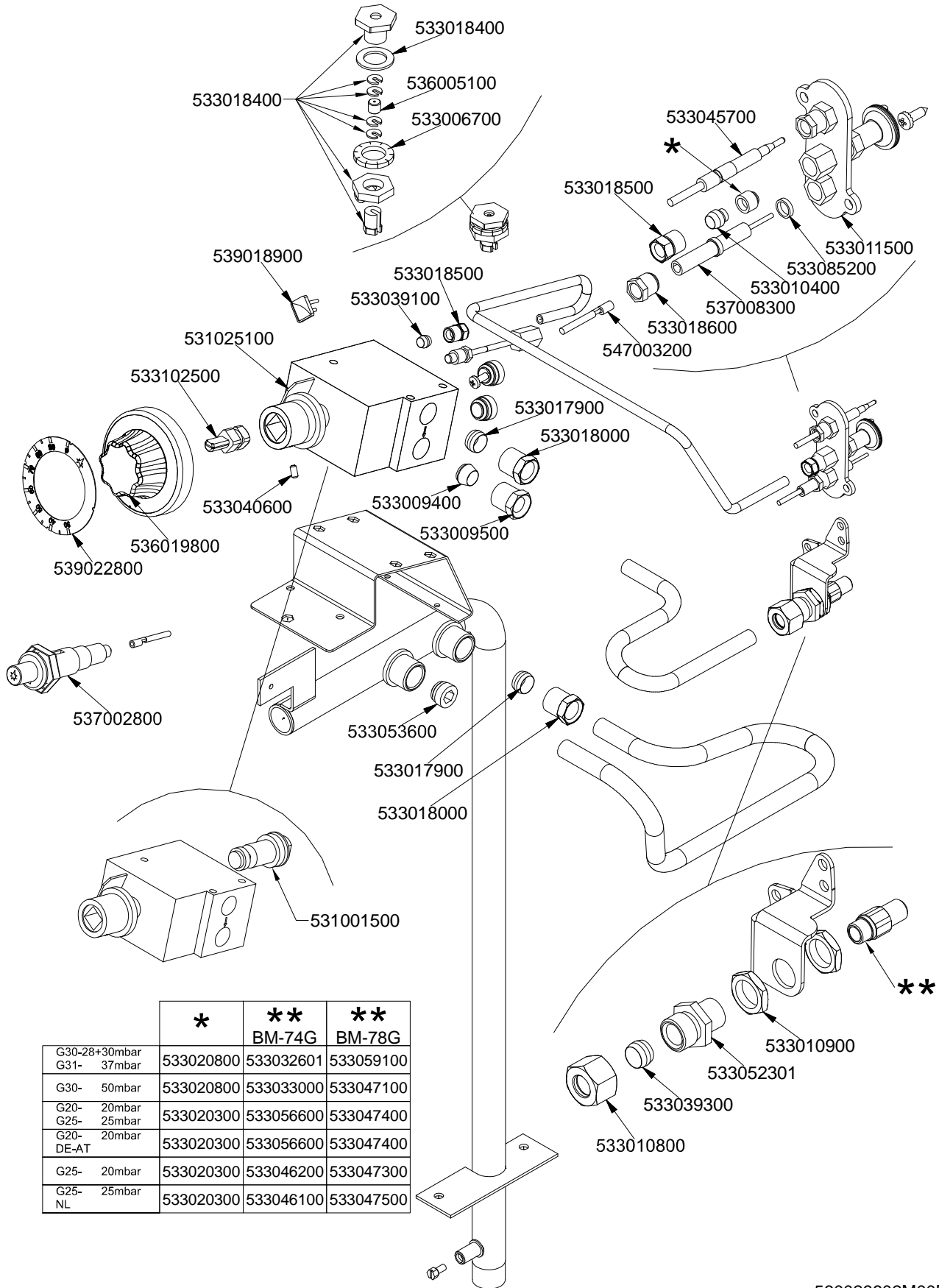


560010202M00P00

# SUPERLOTUS 70≥0602

GAS / GAS / GAS / GAZ

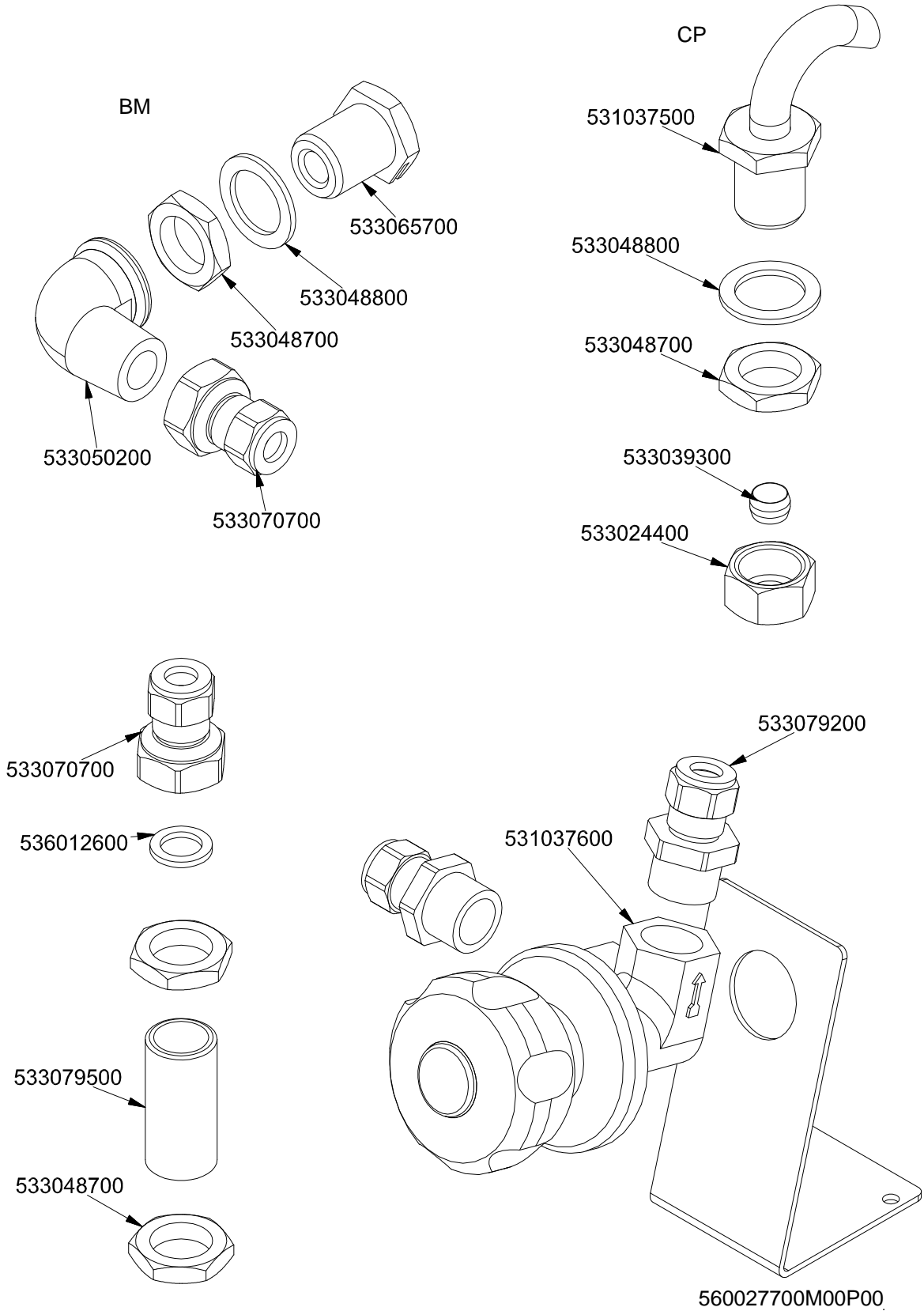
## BM-74G BM-78G N°≥0706



|               | *         | **        | **        |
|---------------|-----------|-----------|-----------|
|               |           | BM-74G    | BM-78G    |
| G30-28+30mbar | 533020800 | 533032601 | 533059100 |
| G31- 37mbar   | 533020800 | 533033000 | 533047100 |
| G30- 50mbar   | 533020800 | 533056600 | 533047400 |
| G20- 20mbar   | 533020300 | 533056600 | 533047400 |
| G25- 25mbar   | 533020300 | 533046200 | 533047300 |
| G20- DE-AT    | 533020300 | 533046100 | 533047500 |
| G25- 20mbar   | 533020300 | 533046100 | 533047500 |
| G25- NL       | 533020300 | 533046100 | 533047500 |

560029602M00P00

**BM CP**



| Page | Pos | Code      | Description                        |
|------|-----|-----------|------------------------------------|
| 001  |     | 532004100 | FLUE GRID L=370 70LINE (RAF)       |
| 001  |     | 541134100 | LOW SPACER 74 1 GRID               |
| 001  |     | 541063100 | TANK DRAIN FILTER BS-4EM/CPM       |
| 001  |     | 544420700 |                                    |
| 001  |     | 541008100 | DRAIN FILTER TANK CP 700LINE       |
| 001  |     | 541105302 | UPPER PLATE BM-74G                 |
| 001  |     | 531026000 | BURNER FT-4/6/8G BM-4G             |
| 001  |     | 544173500 | LEFT SIDE PANEL S.70               |
| 001  |     | 541106101 | CONTROL PANEL BM-74/94G            |
| 001  |     | 546005400 | RUBBER TUBE §25INT.*§33EXT.*L=540  |
| 001  |     | 533039900 | PIPE HOLDER 1" G M D.24            |
| 001  |     | 533038200 | 1" G M-F ELBOW FITTING             |
| 001  |     | 546005500 | RUBBER TUBE §25INT.*§33EXT.XL=680  |
| 001  |     | 531018600 | BALL VALVE 1"G M-F CPM-62G         |
| 001  |     | 533040000 | 1"G F-F-F "T" FITTING              |
| 001  |     | 533087300 | HEXAGONAL BICONE 1G                |
| 001  |     | 544173400 | RIGHT SIDE PANEL S.70              |
| 001  |     | 536005200 | INOX LEG 2" 120-180 M10            |
| 002  |     | 533018400 | THREADED FITTING                   |
| 002  |     | 536005100 | GRAPHITE §07,4 GASKET              |
| 002  |     | 533006700 | NOTCHED WASHER D.14                |
| 002  |     | 533045700 | THERMOCOUPLE M9*1 500              |
| 002  |     | 533018500 | FITTING FOR BICONE D.6 M10*1       |
| 002  |     | 533011500 | PILOT BURNER 2 FLAMES 220          |
| 002  |     | 533085200 |                                    |
| 002  |     | 533010400 | BICONE D.6                         |
| 002  |     | 537008300 | ROUND PLUG §2,4- LONG ELECTRODE    |
| 002  |     | 533018600 | PLUG FITTING                       |
| 002  |     | 547003200 | HIGH-VOLTAGE CABLE TUBE.§2 L=500   |
| 002  |     | 533017900 | BICONE D.12                        |
| 002  |     | 533018000 | ELBOW FOR BICONE D.12 3/8 RS L20   |
| 002  |     | 533039100 | BICONE §6                          |
| 002  |     | 539018900 | INDEX FOR KNOB                     |
| 002  |     | 531025100 | EUROSIT VALVE BM 30-100°C          |
| 002  |     | 533102500 |                                    |
| 002  |     | 539022800 | ADHESIVE GRADUATED DISC FOR KNOB   |
| 002  |     | 536019800 | BLACK KNOB §70 PIN §8*6,5          |
| 002  |     | 533040600 | HEADLESS SCREW M4*8                |
| 002  |     | 533009400 | BICONE 10S                         |
| 002  |     | 533009500 | NIPPLE FOR BICONE 10S              |
| 002  |     | 537002800 | PIEZOELECTRIC IGNITION M18         |
| 002  |     | 533053600 | EUROSIT VALVE PLUG                 |
| 002  |     | 531001500 | MAGNET FOR EUROSIT VALVE           |
| 002  |     | 533010900 | NUT M14*1 H.4                      |
| 002  |     | 533052301 | JOINT FOR NOZZLE HOLDER            |
| 002  |     | 533039300 | BICONE §10                         |
| 002  |     | 533010800 | TUBE NUT D.10 M16*1,5              |
| 002  |     | 533020800 | NOZZLE 0160-FLUSS. (25)            |
| 002  |     | 533032601 | NOZZLE §85 CH12X30,0               |
| 002  |     | 533033000 | NOZZLE §075 CH12X30,0              |
| 002  |     | 533020300 | NOZZLE 0160 (NATURAL GAS) 1-2 (41) |

| Page | Pos | Code      | Description                        |
|------|-----|-----------|------------------------------------|
| 002  |     | 533056600 | NOZZLE §135 CH12*30 M-BM4          |
| 002  |     | 533046200 | NOZZLE §150 CH12X30 L-BR TP        |
| 002  |     | 533046100 | NOZZLE §140 CH12X30 MH-BR          |
| 003  |     | 533065700 | FITTING FOR WATER INPUT 1/2G       |
| 003  |     | 533048800 | GASKET §30*§21*2 FIBRE             |
| 003  |     | 533048700 | NUT 1/2G ZN                        |
| 003  |     | 533050200 | 90° 1/2 M/F ELBOW FITTING          |
| 003  |     | 533070700 | FITTING 1/2G TUBE D10 + O-RING     |
| 003  |     | 531037500 |                                    |
| 003  |     | 533039300 | BICONE §10                         |
| 003  |     | 533024400 | HEXAGONAL NUT 1/2G TUBE D.10       |
| 003  |     | 533079200 | FITTING 1/2G F.TUBE D10 + O-RING   |
| 003  |     | 536012600 | GASKET §12,5*§18,5*2 1/2G          |
| 003  |     | 531037600 | TAP FOR WATER LOADING 1/2"GF CP 90 |
| 003  |     | 533079500 |                                    |