

www.atasrl.com

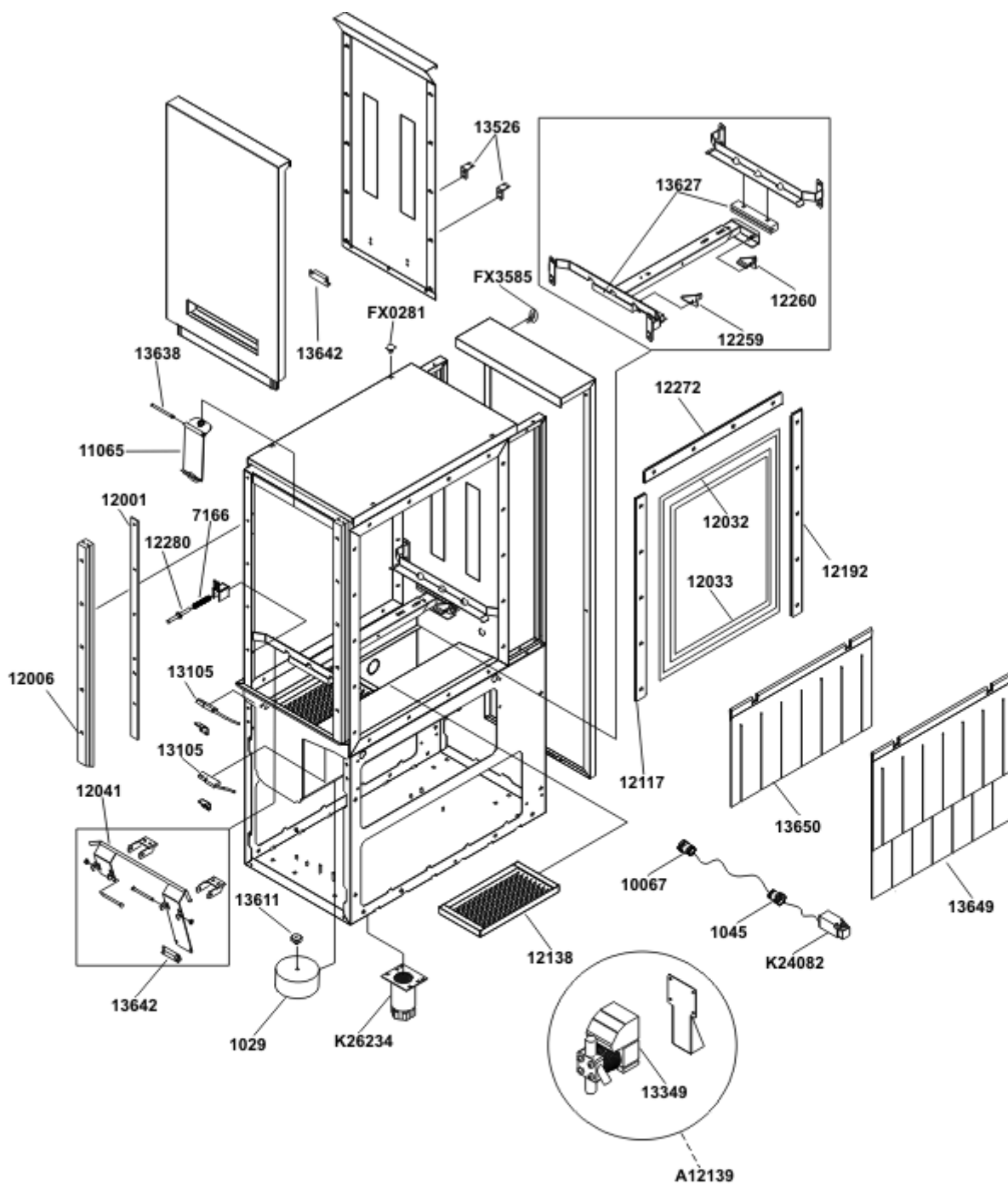
**MODULO 900**

Dis. n° EM.ATR.165

Data: 01/01/16



A.T.A. S.R.L. 35026 CONSELVE (PD) ITALY VIALE DEL PROGRESSO 20 - Z. I. PHONE 049/9500555 (4 LINEE R.A.) FAX 049/9500560



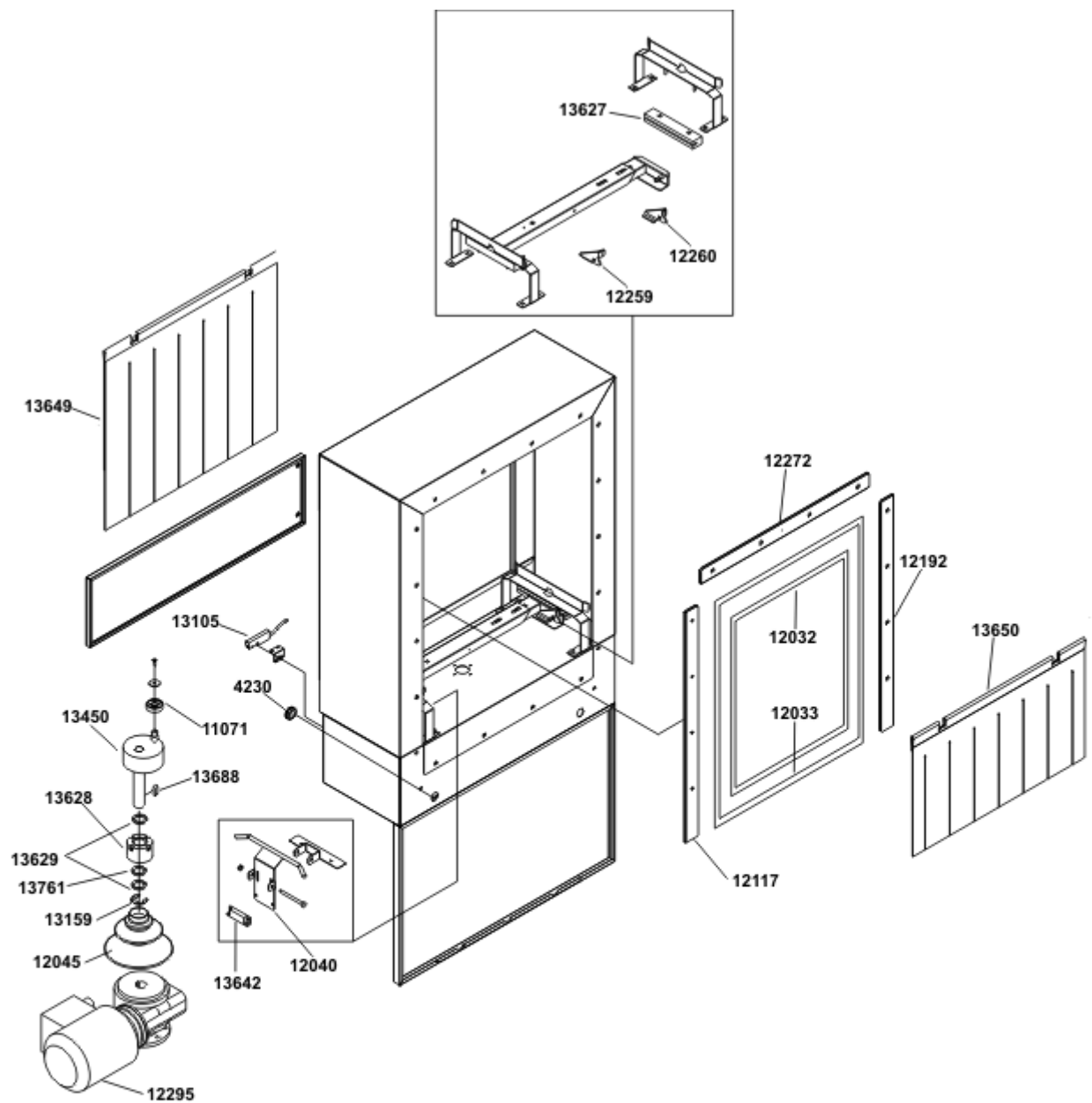
**MODULO 400**

Dis. n° EM.ATR.161

Data: 01/01/16



A.T.A. S.R.L. 35028 CONSELVE (PD) ITALY VIALE DEL PROGRESSO 20 - Z. I. PHONE 049/9500555 (4 LINEE R.A.) FAX 049/9500560



www.atasrl.com

**MODULO INGRESSO**

Dis. n° EM.ATR.160

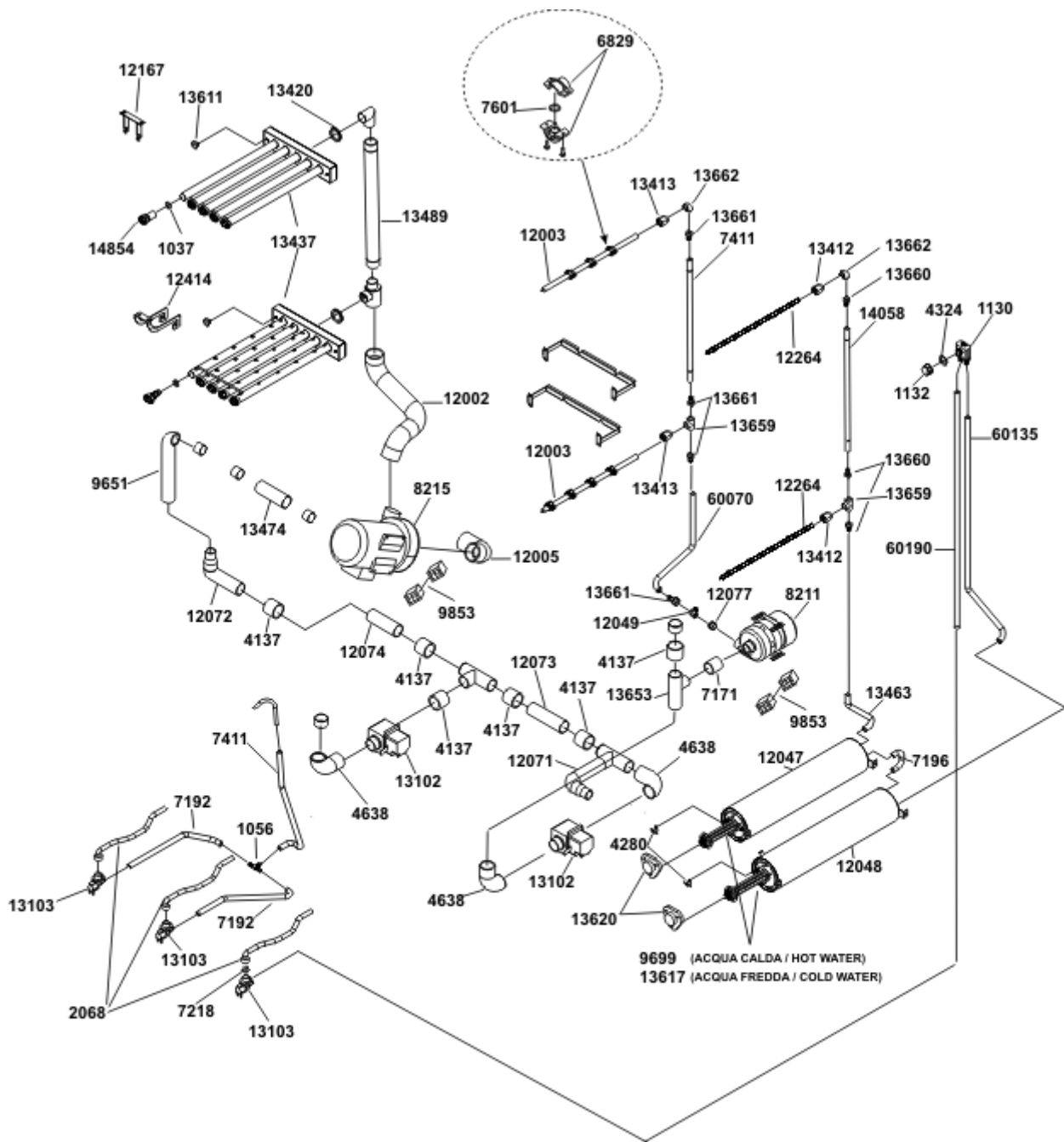
Data: 01/01/16



Professional dishwashers

A.T.A. S.R.L. 35026 CONSELVE (PD) ITALY VIALE DEL PROGRESSO 20 - Z. I. PHONE 049/9500555 (4 LINEE R.A.) FAX 049/9500560





www.atasrl.com

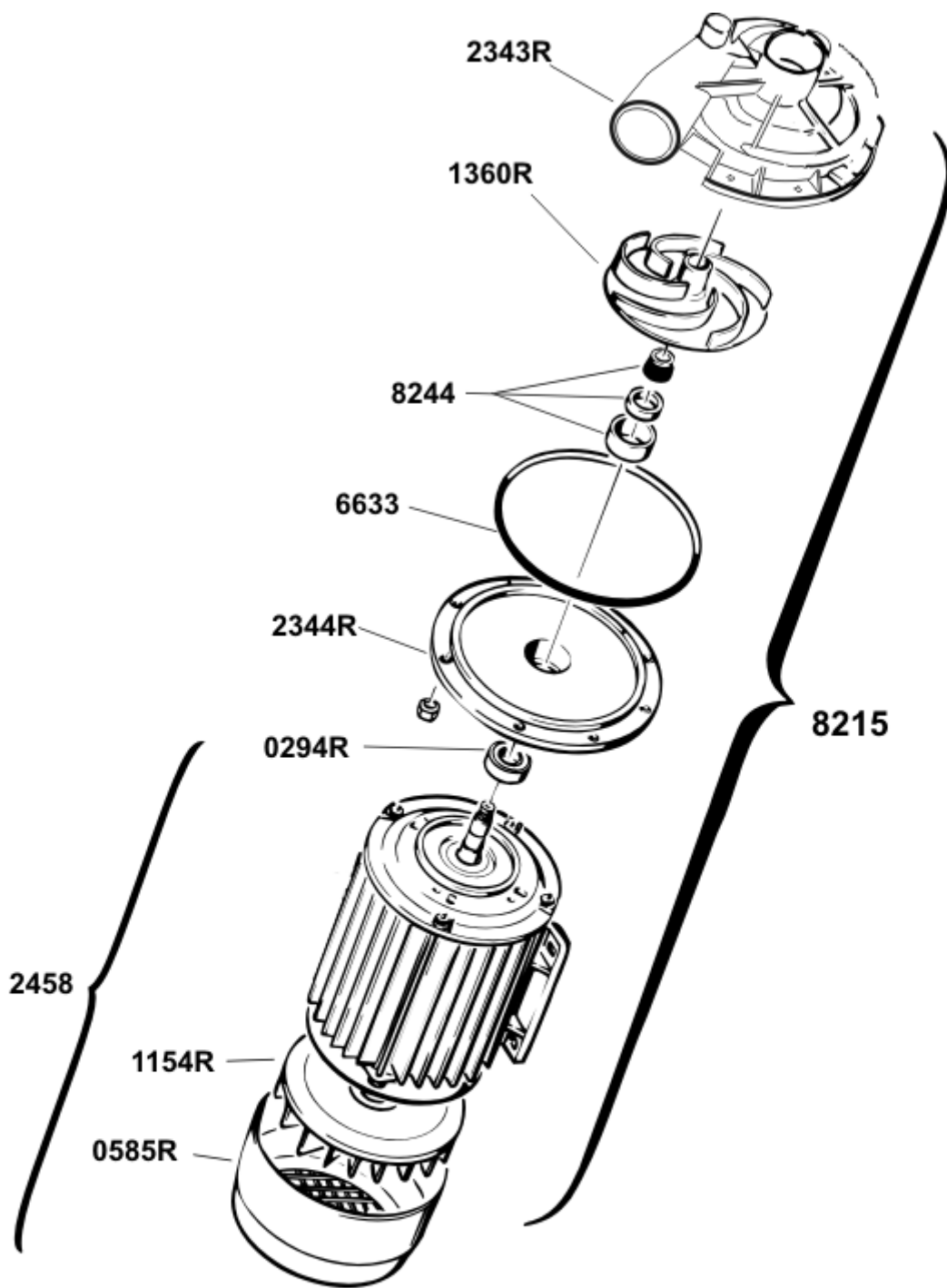
Modello  
Modelle  
Model  
Model  
**ATR 2700 ES**

Dis. n° EI.ATR.180

Data: 01/01/16



A.T.A. S.R.L. 35026 CONSELVE (PD) ITALY VIALE DEL PROGRESSO 20 - Z. I. PHONE 049/9500555 (4 LINEE R.A.) FAX 049/9500560



www.atasrl.com

### ELETTROPOMPA 2,35 kW

Modello  
Modulo  
Macina  
Macina

Dis. n° EE.P.048

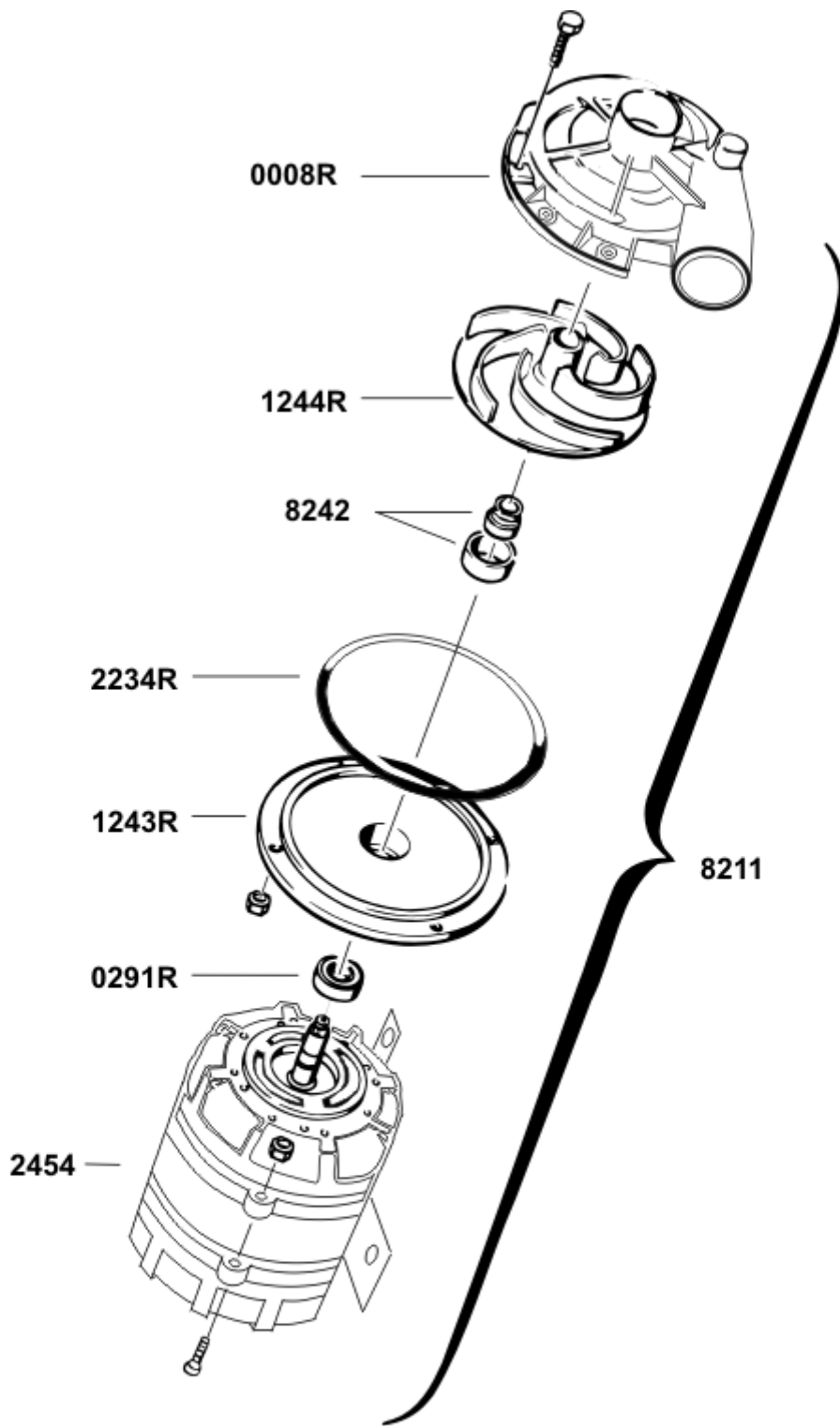
Data: 01/10/10



Professional dishwashers

A.T.A. S.R.L. 35026 CONSELVE (PD) ITALY VIALE DEL PROGRESSO 20 - Z. I. PHONE 049/9500555 (4 LINEE R.A.) FAX 049/9500560





www.atasrl.com

**ELETTROPOMPA**  
**0,18 kW**

Modello  
Macchina  
Modello  
Macchina

Dis. n° EE.P.044

Data: 01/10/10



Professional dishwashers

A.T.A. S.R.L. 35026 CONSELVE (PD) ITALY VIALE DEL PROGRESSO 20 - Z. I. PHONE 049/9500555 (4 LINEE R.A.) FAX 049/9500560