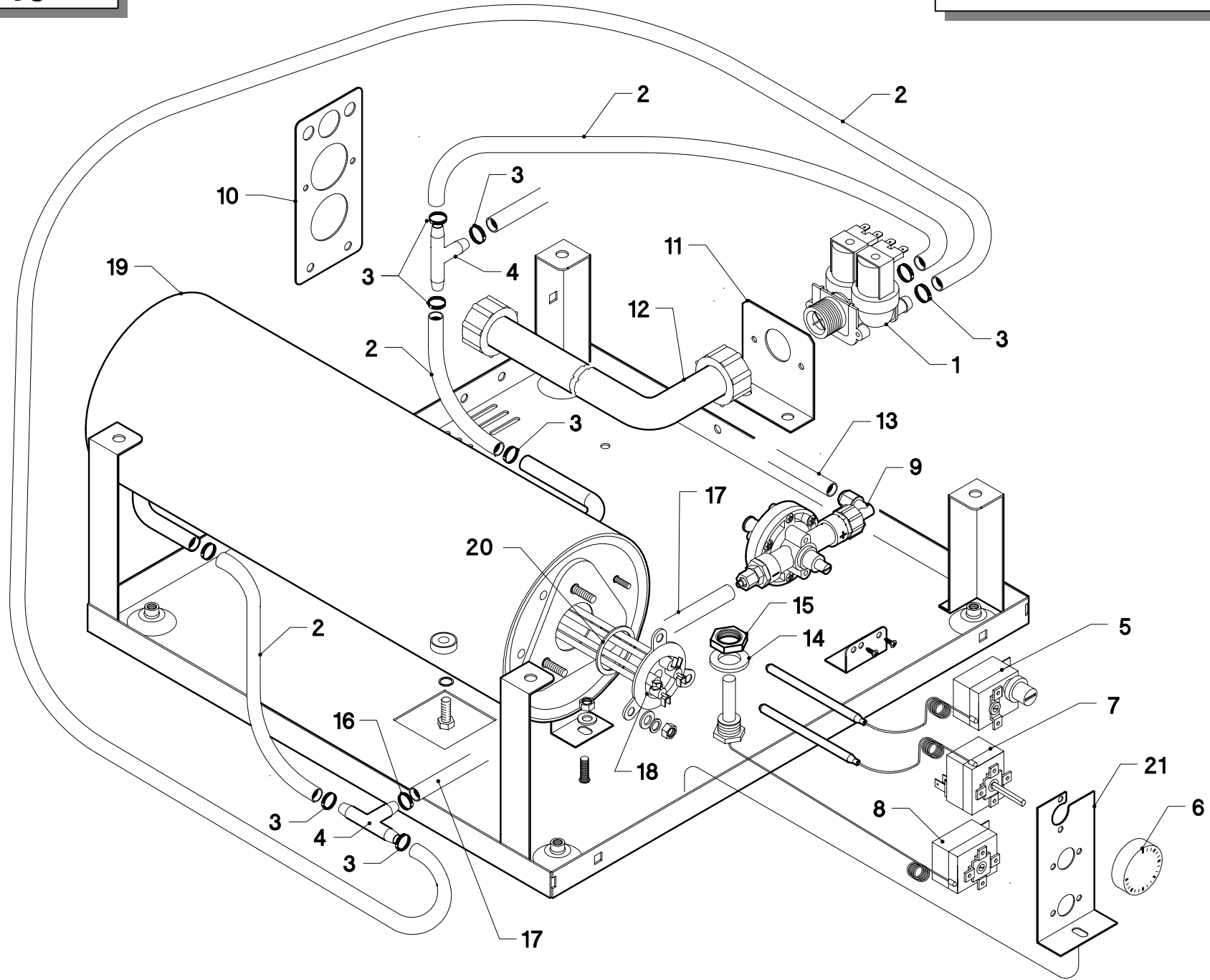


N40

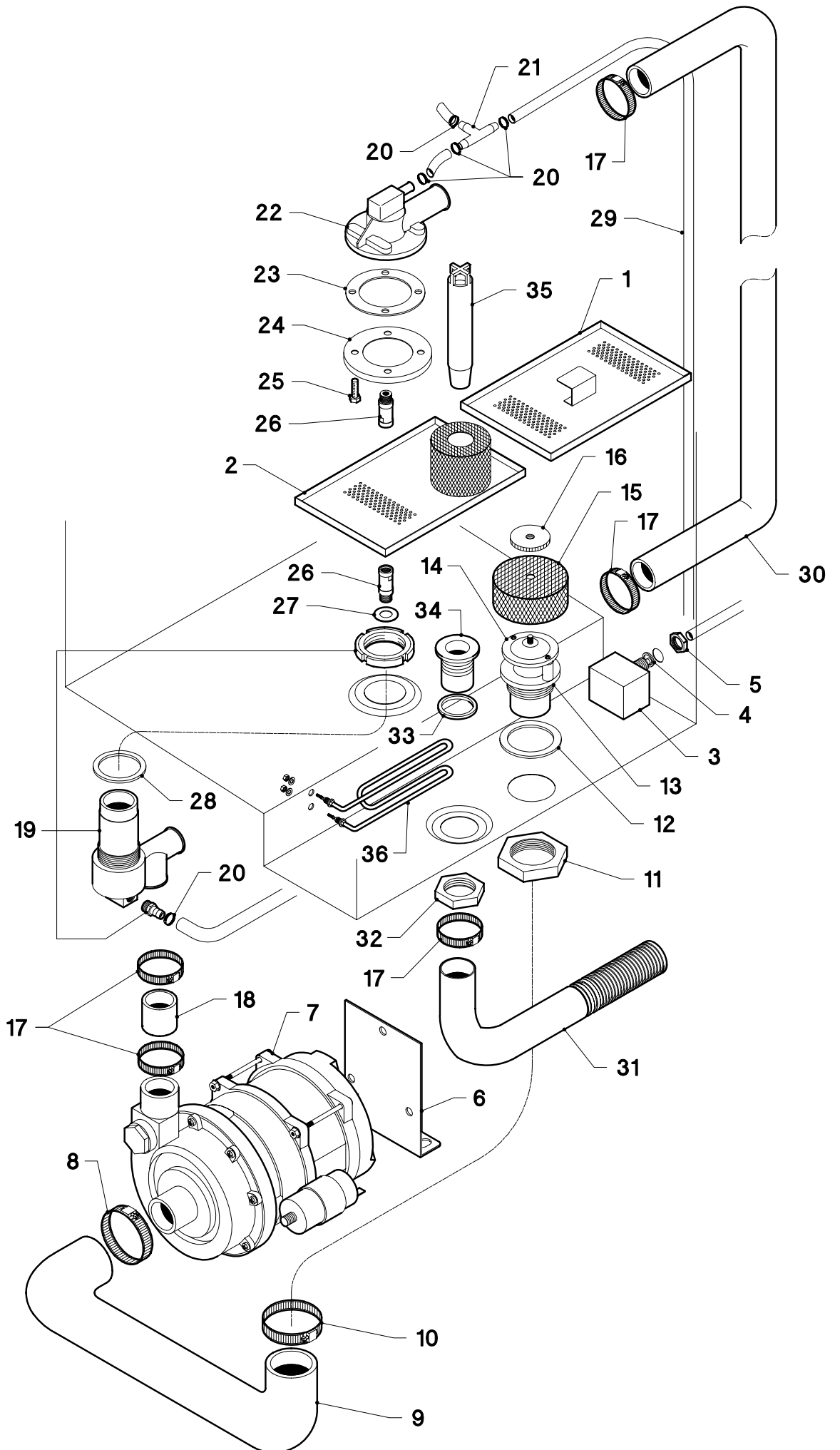
ED. 2004

TAV. 1

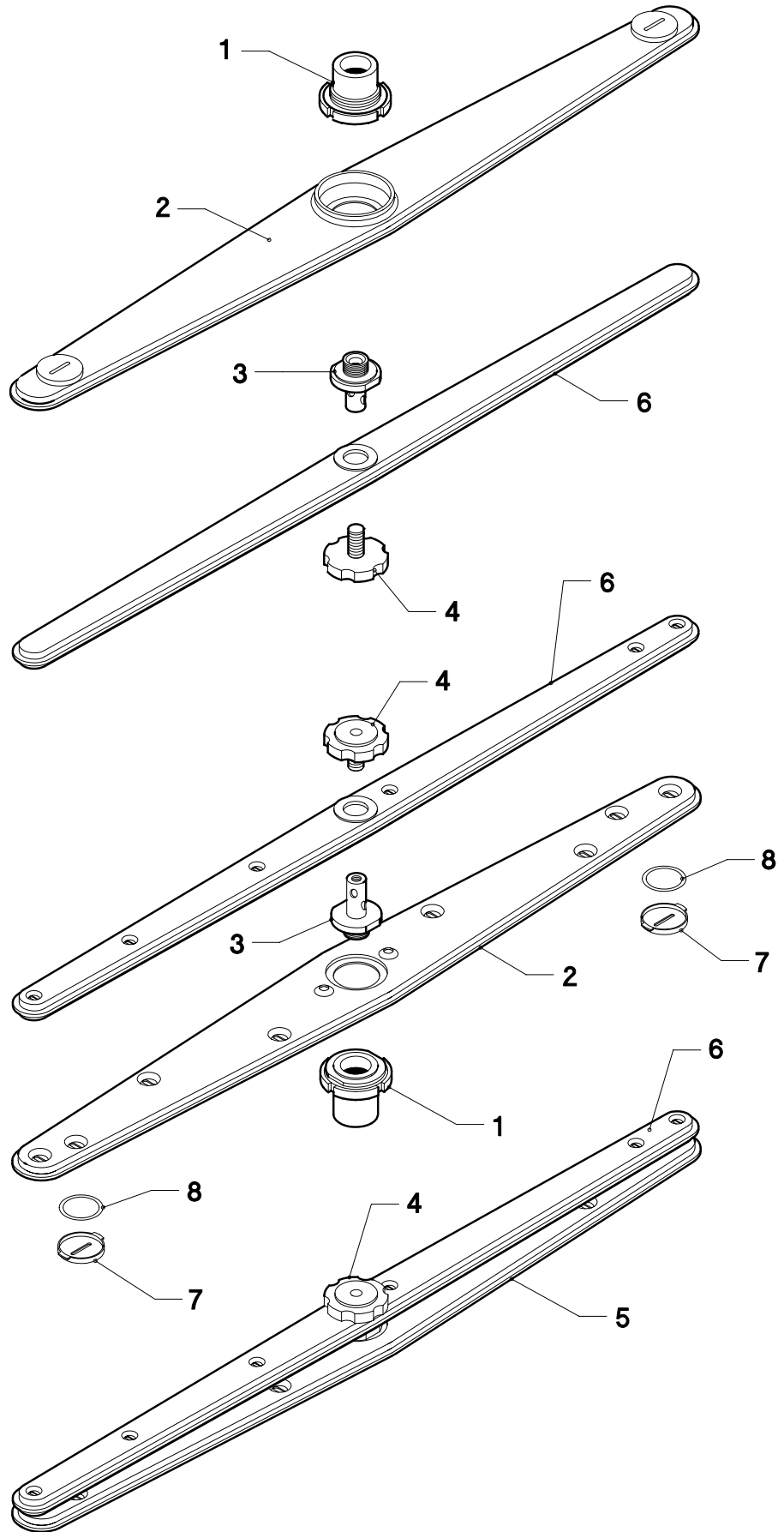
Pos.	COD.	Q.tà	DESCRIZIONE	DENOMINATION	DESCRIPTION	BEZEICHNUNG	DESCRIPCIÓN
1	901943	1	BASAMENTO	SOCLE	BASE	UNTERSTRUKTUR	BASE
2	901942	1	VASCA	BASSIN	TANK	WANNE	BATEA
3	905080	1	PORTA	PORTE	DOOR	TÜR	PUERTA
4	903651	1	CUSTODIA CON MAGNETE	PROTECTION MAGNETO	COVER MAGNET	MAGNETSCHUTZ	ESTUCHE CON IMÁN
5	906121	1	SCROCCHETTO INOX	CLIQUET FERMETURE PORTE	DOOR CATCH	SCHNAPPVERSCHLUSS	PICAPORTE RESORTE
6	902023	1	DADO SCROCCHETTO	ECROU DU CLIQUET	NUT LATCH	KLINKENMUTTER	TUERCA
7	903935	1	MANIGLIA PORTA	MANILLE	HANDLE	KLINKE	MANILLA
8	901654	1	PROFILO MANIGLIA	LISTEAU MANILLE	HANDLETRIM	KLINKE PROFIL	PERFIL MANILLA
9	907142	4	PIEDINO REGOLABILE	PETIT PIED RÉGABLE	RUBBER LEG	EINSTELLBARESOCKEL	PIÉ REGULABLE
10	904795	2	PERNO PORTA	TOURILLON DE LA PORTE	DOOR PIN	TÜRSCHARNIERESTIFT	PERNO PUERTA
11	901245	2	CERNIERA	PATTE	DOOR SUPPORT	SCHARNIER	BISAGRA
12	904528	1	PANNELLO LATERALE DX	PANNEAU DROITE	RIGHT PANEL	RECHTE VERKLEIDUNG	PANEL DERECHO LATERAL
13	904529	1	PANNELLO LATERALE SX	PANNEAU GAUCHE	LEFT PANEL	LINKE VERKLEIDUNG	PANEL IZQUIERDO LATERAL
14	901756	1	PANNELLO POSTERIORE	PANNEAU POSTERIEUR	BACK PANEL	HINTERE VERKLEIDUNG	PANEL POSTERIOR
15	902040	2	DADO ATB M6	ECROU	NUT	MUTTER	TUERCA
16	904626	1	PANNELLO SUPERIORE	PANNEAU SUPERIEUR	UPPER SIDE PANEL	OBERE VERKLEIDUNG	PANEL SUPERIOR
17	901945	1	PANNELLO INFERIORE	PANNEAU INFERIEUR	LOWER PANEL	UNTERE VERKLEIDUNG	PANEL INFERIOR
18	907240	2	TIRANTE PORTA	TIRANT DU PORTE	DOOR SCREW STAY	TÜRZUGSTANGE	VARILLA PUERTA
19	904952	2	PIASTRINA	PLAQUETTE	PLATE	PLATTEKEN	PLACA
20	905424	2	FERMO PORTA	FERMETURE PORTE	DOOR SUPPORT	TÜR HALTERUNG	TOPE PUERTA



Pos.	COD.	Q.tà	DESCRIZIONE	DENOMINATION	DESCRIPTION	BEZEICHNUNG	DESCRIPCIÓN
1	902400	1	ELETTROVALVOLA A 2 VIE	SOUPAPE ELECTRIQUE	ELECTRIC VALVE	ELEKTROVENTIL	VALVULA ELETRICA
2	907295	4	TUBO GOMMA 12 x 19,5	TUYAU EN CAOUTCHOUC	RUBBER HOSE	GUMMISCHLAUCH	TUBO GOMA
3	902440	6	FASCETTA 13÷20	COLLIER	CLAMP	SHELLE	ABRAZADERA
4	905381	1	RACCORDO A "T"	RACCORD	JOINT	ANSCHLUSS	ENLACE
5	907125	1	TERMOSTATO DI SICUREZZA	THERMOSTAT	THERMOSTAT	THERMOSTAT	TERMÓSTATO DE SEGURIDAD
6	903982	1	MANOPOLA	BOUTON	KNOB	KNOF	EMPUÑADURA
7	907110	1	TERMOSTATO 0°-90°	THERMOSTAT	THERMOSTAT	THERMOSTAT	TERMÓSTATO
8	907124	1	TERMOSTATO VASCA	THERMOSTAT DU PANIER	TANK THERMOSTAT	WANNER THERMOSTAT	TERMÓSTATO DE PILETA
9	902199	1	DOSATORE	DOSEUR	DOSING DEVICE	DOSIERSATZ	DOSIFICADOR
10	954003	1	SQUADRETTA	EQUERRE	BRACKET	WINKEL	ANGULAR
11	906365	1	SQUADRETTA	EQUERRE	BRACKET	WINKEL	ANGULAR
12	907344	1	TUBO DI CARICO	TUYAN D'ENTRÉE DE L'EAU	INLET PIPE	WASSERZUFÜHRROHR	TUBO
13	902046	1	TUBO BRILLANTANTE 4X7	TUYAU	PIPE	LAUCH	TUBO ABRILLANTADOR
14	904991	1	GUARNIZIONE 3/8"	JOINT	GASKET	DICHTUNG	GUARNICIÓN
15	902100	1	GHIERA 3/8" GAS	VIROLE	LOCK NUT	NUT MUTTER	ABRAZADERA
16	902439	2	FASCETTA 11÷17	COLLIER	CLAMP	SHELLE	ABRAZADERA
17	907359	1	TUBO GOMMA 8 x 15	TUYAU EN CAOUTCHOUC	RUBBER HOSE	GUMMISCHLAUCH	TUBO GOMA
18	905521	1	RESISTENZA 3KW	RESISTANCE	HEATING ELEMENT	HEIZKÖRPER	RESISTENCIA
19	900353	1	BOILER	CHAUFFE EAU	BOILER	HEISSWASSERSPEICHER	BOILER
20	907981	1	O-RING	O-RING	O-RING	O-RING	O-RING
21	906367	1	SUPPORTO TERMOSTATI	SUPPORT THERMOSTAT	THERMOSTAT SUPPORT	THERMOSTATHALTER	SOPORTE TERMÓSTATO



Pos.	COD.	Q.tà	DESCRIZIONE	DENOMINATION	DESCRIPTION	BEZEICHNUNG	DESCRIPCIÓN
1	902635	1	FILTRO DI SUPERFICIE	FILTRE	FILTER	FILTER	FILTRO
2	902636	1	FILTRO DI SUP. CON CILINDRO	FILTRE	FILTER	FILTER	FILTRO
3	905273	1	TRAPPOLA ARIA	RESERVOIR AIR	AIR TRAP	LUFTFALLE	TRAMPA DEL AIRE
4	903260	1	GUARNIZIONE	JOINT	GASKET	DICHTUNG	GUARNICIÓN
5	902100	1	GHIERA 3/8" GAS	VIROLE	LOCK NUT	NUT MUTTER	ABRAZADERA
6	950210	1	SUPPORTO POMPA	SUPPORT POMPE	PUMP SUPPORT	PUMPE TRÄGER	SOPORTE BOMBA
7	902261	1	POMPA 0,30 KW	POMPE	PUMP	PUMPE	BOMBA
8	902441	1	FASCETTA Ø 38÷50	COLLIER	CLAMP	SHELLE	ABRAZADERA
9	903666	1	MANICOTTO ASPIRAZIONE	MANCHON D'ASPIRATION	INTAKE PIPE FITTING	ANSAUGANSHLUSSE	PALANCA DE ASPIRACIÓN
10	902480	1	FASCETTA Ø 44÷56	COLLIER	CLAMP	SHELLE	ABRAZADERA
11	902090	1	GHIERA 1" ¾	VIROLE	LOCK-NUT	NUT MUTTER	ABRAZADERA
12	903320	1	GUARNIZIONE 1" ¾	JOINT	GASKET	DICHTUNG	GUARNICIÓN
13	905390	1	RACCORDO ASPIRAZIONE	RACCORD D'ASPIRATION	INTAKE PIPE FITTING	ANSAUGANSCHLUSSE	EMPALME DE ASPIRACIÓN
14	900009	1	COPERCHIO RACCORDO ASP.	COUVERCLE RACCORD D'ASP.	INTAKE PIPE FITTING COVER	ANSAUGANSCHLUSSE DECKEL	TAPA EMPALME DE ASPIR.
15	904468	1	FILTRO ASPIRAZIONE	FILTRE D'ASPIRATION	SUCTION FILTER	SAUGFILTER	FILTRO DE ASPIRACIÓN
16	902850	1	GHIERA	VIROLE	LOCK-NUT	NUT MUTTER	ABRAZADERA
17	902460	5	FASCETTA Ø 26÷38	COLLIER	CLAMP	SHELLE	GUARNICIÓN
18	903756	1	MANICOTTO MANDATA	MANCHON DEREFOULEM.	OUTLET ELBOW	AUSLASSMUFFE	PALANCA DE MANDO
19	905555	1	MOZZO INFERIORE	MOYEU INFERIEUR	INFERIOR HUB	OBERE	BUJE INFERIOR
20	902440	5	FASCETTA 13 ÷ 20	COLLIER	CLAMP	SHELLE	ABRAZADERA
21	905382	1	RACCORDO A "T"	RACCORD	PIPEFITTING	ANSCHLUSSE	EMPALME
22	900033	1	MOZZO SUPERIORE	MOYEU SUPERIEUR	UPPERHUB	OBERENABE	BUJE SUPERIOR
23	903330	1	GUARNIZIONE	JOINT	GASKET	DICHTUNG	GUARNICIÓN
24	901779	1	FLANGIA	FLASQUE	FLANGE	FLANSCH	SOPORTE
25	907780	4	VITE M6X10	VIS	SCREW	SCHRAUBE	TORNILLO
26	904765	2	PERNO	PIVOT	PIN	ZAPFEN	PERNO
27	906002	1	RONDELLA	RONDELLE	WASHER	UNTERLEGSCHLEIBE	ARANDELA
28	903301	1	GUARNIZIONE	JOINT	GASKET	DICHTUNG	GUARNICIÓN
29	907360	1	TUBO GOMMA 10 x 17	TUYAU EN CAOUTCHOUC	RUBBER HOSE	GUMMISCHLAUCH	TUBO GOMA
30	903739	1	MANICOTTO MANDATA SUP.	MANCHON DE REFOUL SUP.	UPPER OUTLET. ELBOW	OBEREAUSLASSMUFFE	PALANCA DE MANDO SUP.
31	907440	1	TUBO DI SCARICO	TUYAU DE DÉCHARGÉ	OUTLET HOSE	ABLAUFSCHLAUCH	TUBO DESAGOTE
32	902070	1	GHIERA 1" GAS	FRETTE	RING-NUT	NUT MUTTE	ABRAZADERA
33	904350	1	O-RING	O-RING	O-RING	O-RING	O-RING
34	905440	1	RACCORDO SCARICO 1"	RACCORD DÉCHARGÉ	PIPE FITTING FOR OUTLET	ABLAUFANSCHLUSS	EMPALME DESAGOTE
35	907309	1	TROPPO PIENO	NIVEAU	OVER FLOW	VEBERLAUF	DAMISIADO LLENO
36	905771	1	RESISTENZA 1,6 KW	RESISTANCE	HEATING ELEMENT	HEIZKÖRPER	RESISTENCIA



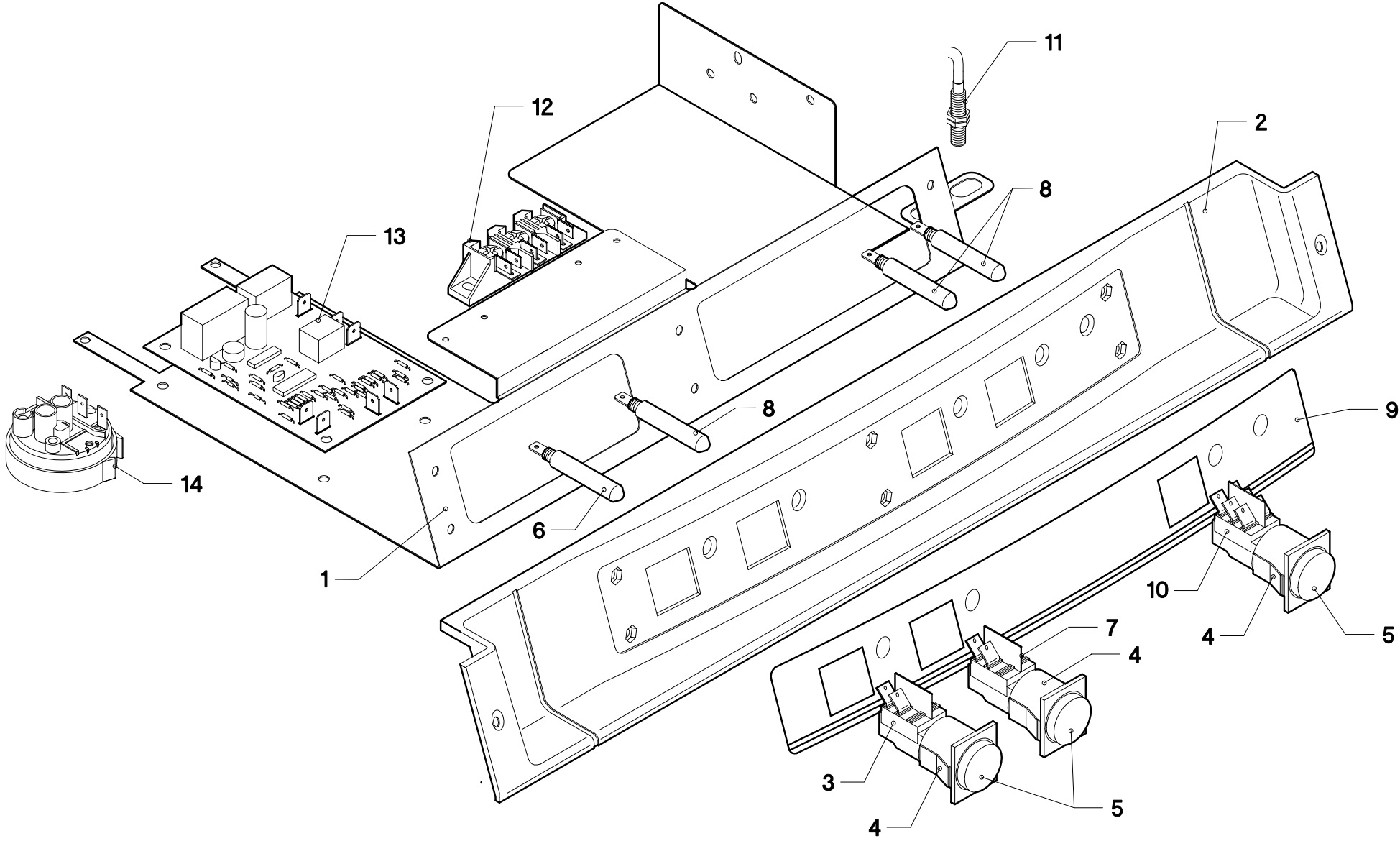
N40

REV. 06/2007

ED. 2004

TAV. 4

<i>Pos.</i>	<i>COD.</i>	<i>Q.tà</i>	<i>DESCRIZIONE</i>	<i>DENOMINATION</i>	<i>DESCRIPTION</i>	<i>BEZEICHNUNG</i>	<i>DESCRIPCIÓN</i>
1	904277	2	MOZZO + GHIERA	MOYEU + VIROLE	HUB + RING-NUT	NABE + KLEMMUTTER	BUJE + ABRAZADERA
2	902908	2	GIRANTE LAVAGGIO	BRAS DE LAVAGE	WASH ARM	SPÜLLARM	RODETE LAVADO
3	908771	2	PERNO GIRANTE RISC.	TOURILLON DE RINÇAGE	RINSE PIN	SPÜLLSTIFT	PERNO RODETE ENJUAGUE
4	902880	2	GHIERA BLOCCAGGIO	FRETTE DE BLOCAGE	RING-NUT	KLEMMUTTER	ABRAZADERA BLOQUEO
5	903107	2	GIRANTE LAVAGGIO COMP.	BRAS DE LAVAGE COMPL.	COMPL. WASH ARM	SPÜLLARM KOMPL.	RODETE LAVADO COMPL.
6	907656	2	GIRANTE RISCIAQUO	BRAS DE RINÇAGE	RINSE ARM	SPÜLLSTIFT	RODETE ENJUAGUE
7	906445	4	TAPPO ISPEZIONE	BOUCHON	PLUG	FROPFEN	TAPÓN
8	904324	4	O-RING TAPPO ISPEZIONE	O-RING	O-RING	O-RING	O-RING



N40

ED. 2004

TAV. 5

Pos.	COD.	Q.tà	DESCRIZIONE	DENOMINATION	DESCRIPTION	BEZEICHNUNG	DESCRIPCIÓN
1	955318	1	PIASTRA PORTACOMPONENTI	PLAQUE COMPOSANTS	COMPONENT PLATE	PLATTE ZUSAMMENSETZEND	PLACA COMPONENTES
2	903935	1	TARGA	PLAQUETTE	PLATE	SCHILD	PLACA
3	905318	1	INTERRUTTORE LINEA	INTERRUPTEUR DE LIGNE	LINE SWITCH	DRUCKKNOPFVORB.	INTERRUPTOR
4	905307	3	SUPPORTO TASTO	SUPPORT BOUTON	SUPPORT KEY	TASTEHALTER	SOPORTE TECLA
5	905305	3	TASTO TONDO GIALLO	BOUTON JAUNE	YELLOW PUSH-BUTTON	GELBE DRUCKTASTE	BOTÓN AMARILLO
6	903633	1	LAMPADA SPIA VERDE	LAMPE	LAMP	KONTROLLAMPE	LÁMPARA
7	905312	1	PULSANTE 2 FASTON	BOUTON	PUSH-BUTTON	DRUCKTASTE	BOTÓN
8	903645	3	LAMPADA SPIA ARANCIO	LAMPE	LAMP	KONTROLLAMPE	LÁMPARA
9	907059	1	TARGA	PLAQUETTE	PLATE	SCHILD	PLACA
10	905314	1	INTERRUT. SELETT. TEMPI	INTERRUPT.SELECT.TEMPS	TIME SELECTORSWITCH	WAHLSCHALTER	INTER. SELECCIONADOR TIEMPO
11	TR0309	1	REED MAGNETICO	REED	REED	REED	REED MAGNÉTICO
12	904140	1	MORSETTIERA	BORNES	TERMINAL BOARD	KLEMMLEISTE	TABLEROS DE BORNES
13	907175	1	TIMER ELETTRONICO	TIMER ÉLECTRONIQUE	ELECTRONIC TYMER	ELEKTRONISCHER TIMER	TYMER ELECTRÓNICO
14	905275	1	PRESSOSTATO 35/90	PRESSOSTAT	PRESSURE SWITCH	DRUCHWAECHTE	PRESOSTATO