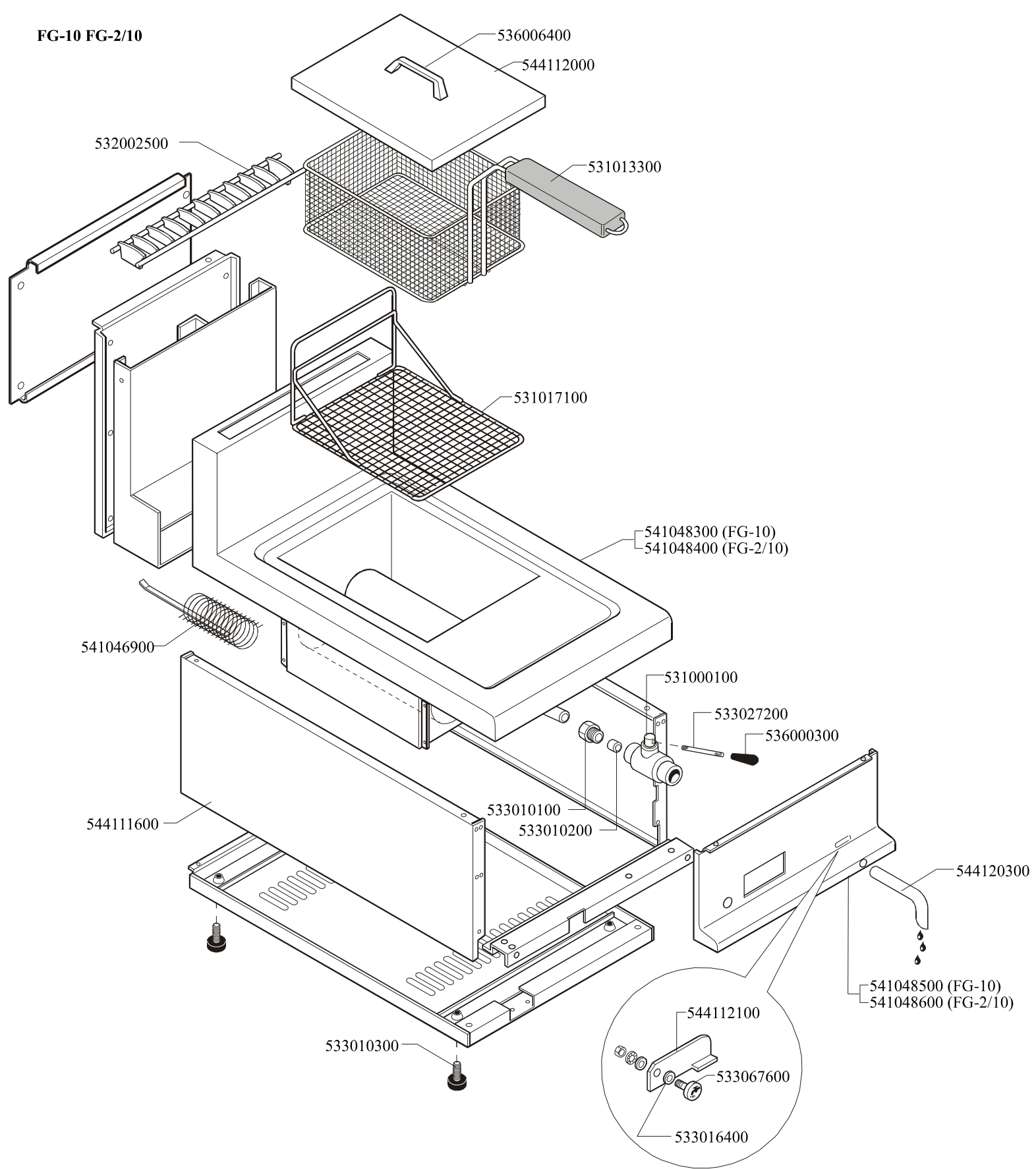
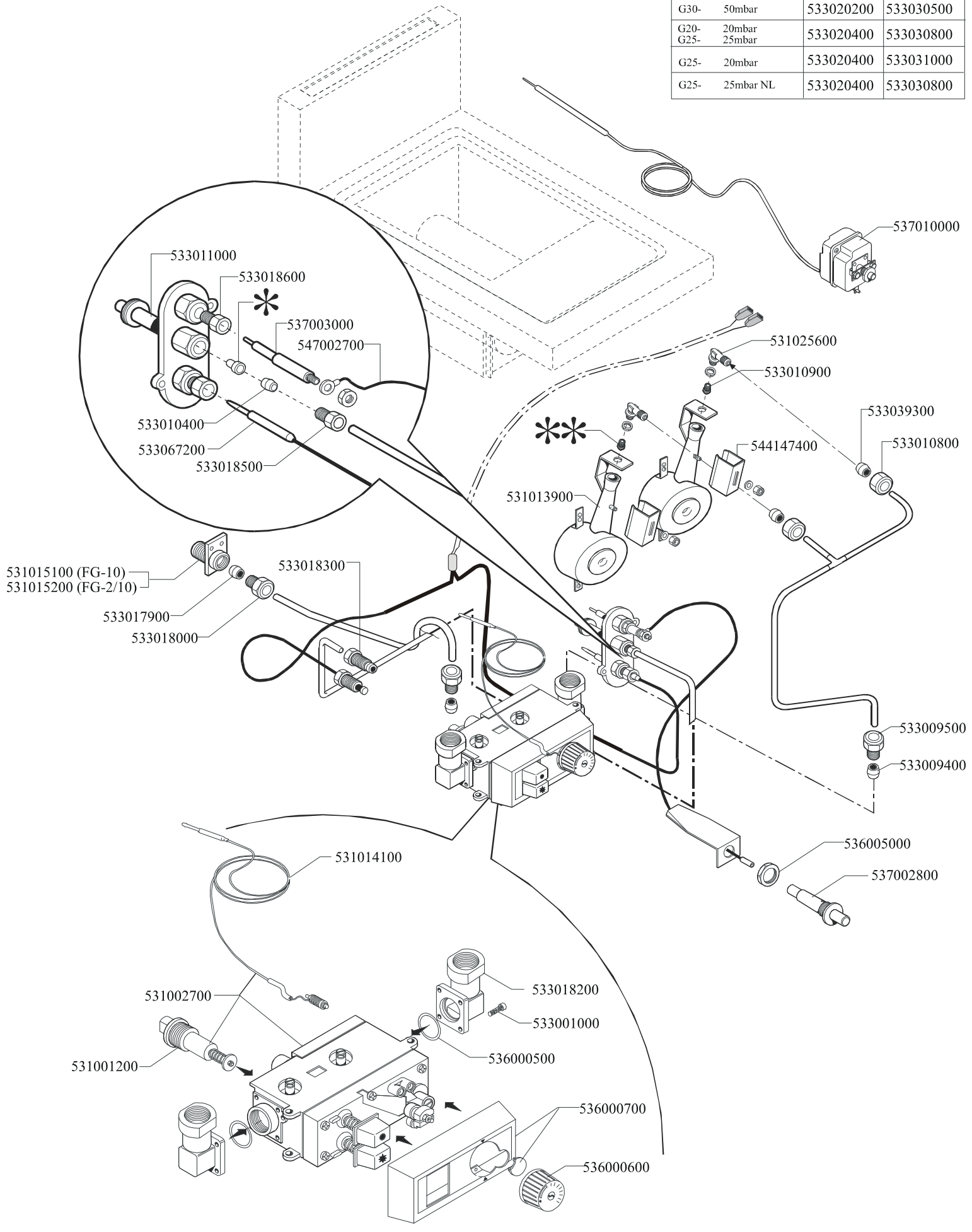


FG-10 FG-2/10



	*	**
G30- 28+30mbar G31- 37mbar	533020200	533030400
G30- 50mbar	533020200	533030500
G20- 20mbar G25- 25mbar	533020400	533030800
G25- 20mbar	533020400	533031000
G25- 25mbar NL	533020400	533030800



Page	Pos	Code	Description
001		532002500	GRID FOR PIPE 400 FMG
001		536006400	BLACK HANDLE 65/FE/FG
001		544112000	TANK LID FG-10-2/10
001		531013300	FRYER BASKET 10LTS.GAS/70EL.
001		531017100	TANK FILTER/BASKET SUPPORT FG-10
001		541048400	UPPER PLATE NEW FG-2/10
001		531000100	DRAIN COCK 3/4"
001		533027200	HANDLE FOR DRAIN COCK 3/4"G FG
001		536000300	FIXED GRIP D.15*25*M6
001		533010100	3/4 D. 18 PIPE UNION
001		533010200	BICONE 18S
001		544120300	DRAIN PIPE 22 FOR COCK 3/4"G
001		541048600	CONTROL PANEL NEW FG-2/10
001		544112100	COCK FIXING BRACKET FG-10
001		533067600	PIN FOR GRADUATED COCK BUSHING
001		533016400	COCK BUSHING
001		533010300	ADJUSTABLE FOOT M10*20 D.23
001		544111600	SIDE PANEL 700
001		541046900	HEAT ACCUMULATOR FMG-10-2/10
002		533011000	PILOT BURNER 3 FLAMES 320
002		533018600	PLUG FITTING
002		537003000	PLUG M4 - LONG ELECTRODE
002		547002700	HIGH-VOLTAGE CABLE L=500
002		533010400	BICONE D.6
002		533067200	THERMOCOUPLE 220+500 M9*1 CUT-OFF
002		533018500	FITTING FOR BICONE D.6 M10*1
002		531015200	1/2" G- TWO WAY 3/8" G FITTING
002		533017900	BICONE D.12
002		533018000	ELBOW FOR BICONE D.12 3/8 RS L20
002		533018300	FITTING WITH BICONE 6 M10*1
002		531013900	BURNER FMG-10/15
002		537010000	SAFETY THERMOSTAT 220°C SINGLEPHASE
002		531025600	ELBOW 90° NOZZLE-HOLDER §10 PIPE
002		533010900	NUT M14*1 H.4
002		544147400	AIR ADJUSTMENT BUSHING FMG-FQ
002		533039300	BICONE §10
002		533010800	TUBE NUT D.10 M16*1,5
002		533009500	NIPPLE FOR BICONE 10S
002		533009400	BICONE 10S
002		536000500	O-RING FOR MINISIT FITTING
002		537002800	PIEZOELECTRIC IGNITION M18
002		531014100	VALVE CAPILLARY PROBE FOR FG §6
002		531002700	MINISIT VALVE 100-190°C FQ/FG
002		531001200	MAGNET AC/2-MINISIT
002		533018200	ELBOW OR GJ 3/8
002		533001000	SCREW TCB C/CC M4X16
002		536000700	PLASTIC COVER FOR MINISIT + SCREW
002		536000600	BLACK LHD KNOB OP. FOR MINISIT
002		533020200	PILOT JETS 0160 FOR LPG §30
002		533030400	NOZZLE §105 CH12X14 G-FG/CW
002		533030500	NOZZLE §90 CH12X14 G30/CE

<b>Page</b>	<b>Pos</b>	<b>Code</b>	<b>Description</b>
002		533020400	NOZZLE 0160 (NATURAL GAS) 51
002		533030800	NOZZLE §155 CH12X14 M-CW
002		533031000	NOZZLE §175 CH12X14
002		536005000	NUT M18 FOR PIEZOELECTRIC IGNITION