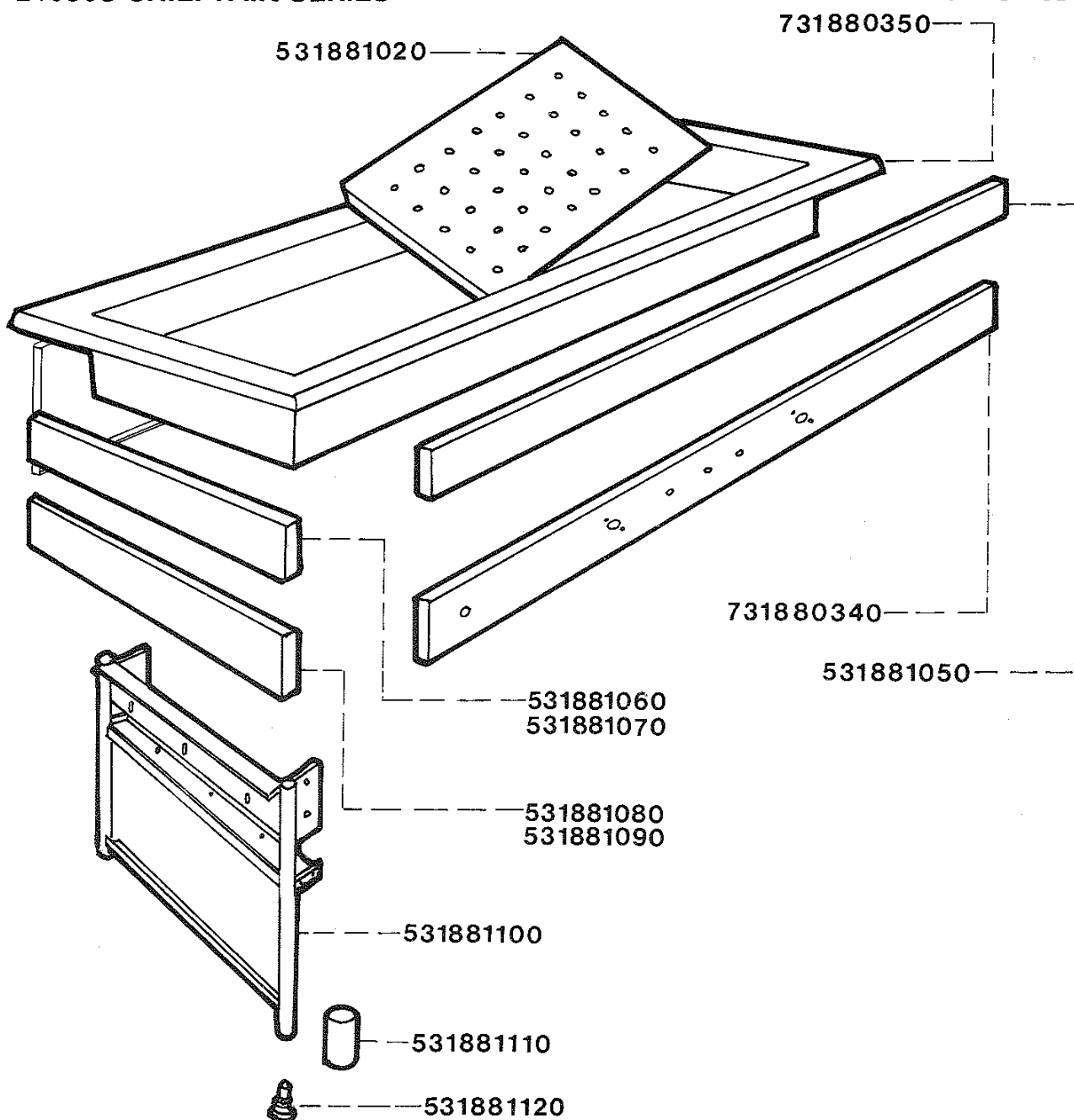


E1036S CHIEFTAIN SERIES

Fitments



Code	No.	Description
3G	531881020	Pan Insert
7G	531881050	Top Front Panel
10E	531881060	Top Side Panel — L.H.
10E	531881070	Top Side Panel — R.H.
1F	531881080	Bottom Side Panel — L.H.
1F	531881090	Bottom Side Panel — R.H.
7J	531881100	End Leg Assembly
12B	531881110	Leg Cover
9C	531881120	Adjustable Foot
10G	731880340	Control Panel
3P	731880350	Water Pan

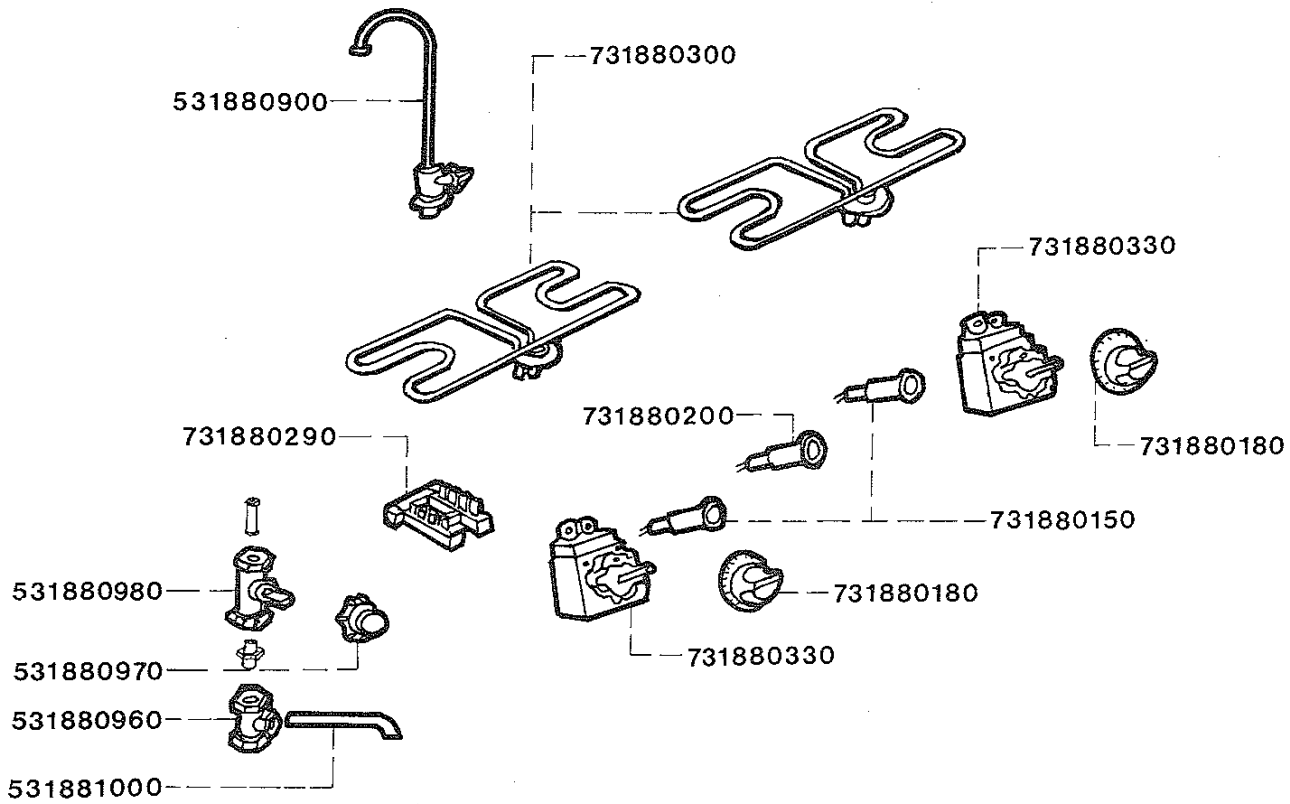
Sheet Reference Number

E1036S/1185/001

**Falcon Catering
Equipment**
Commercial and institutional
catering equipment



Falcon Catering Equipment is a
business name of
Glynwed Consumer & Building Products Ltd
a member of the
Glynwed International plc
group of companies



Code	No.	Description
5K	531880900	Swivel Tap
1H	531880960	Banjo
6B	531880970	Drain Cock Knob
9E	531880980	Drain Cock
9C	531881000	Drain Pipe
7B	731880150	Pilot Lamp (Amber)
6B	731880180	Simmerstat Knob
7B	731880200	Mains Pilot Lamp (Red)
7B	731880290	Terminal Block
8H	731880300	Element
1D	731880330	Simmerstat

Sheet Reference Number

E1036S/1185/002

**Falcon Catering
Equipment**
Commercial and institutional
catering equipment



Falcon Catering Equipment is a
business name of
Glynwed Consumer & Building Products Ltd
a member of the
Glynwed International plc
group of companies