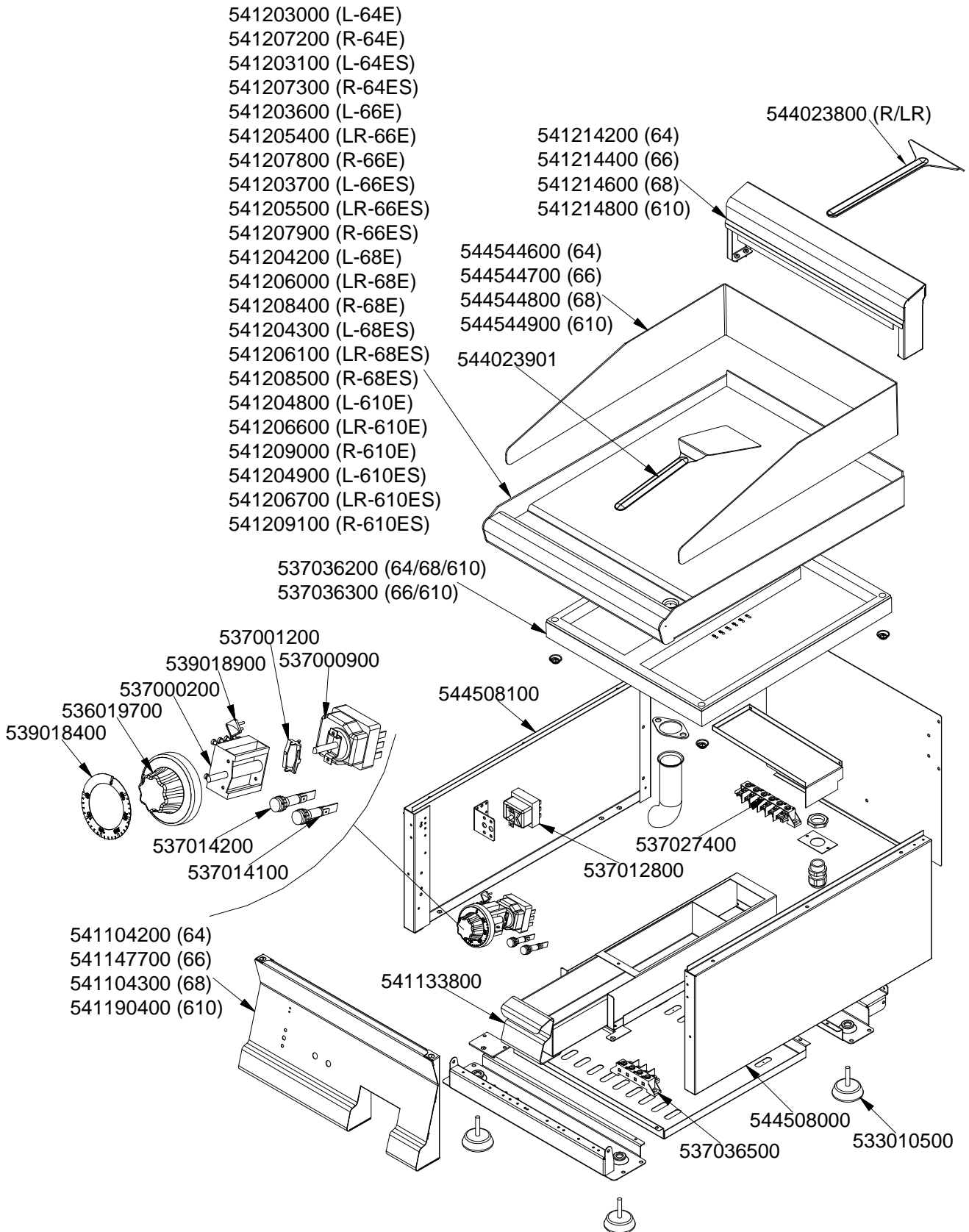


MAGICLOTUS 60

ELETRICO / ELECTRIC / ELEKTRO / ELECTRIQUE

FTT...-64ET FTT...-66ET FTT...-68ET FTT...-610ET



560077600M00P00

Page	Pos	Code	Description
001		541209000	UPPER PLATE FOR FTR T-610E
001		544023800	
001		541214800	SPACER 610E
001		544023901	SPATTLE FOR FRY-TOP
001		544544900	SPLASH GUARD FT-610
001		537036200	EL. PLATE 351X428 3600W230V
001		537036300	EL. PLATE 551X428 5400W230V
001		537000900	THERMOSTAT 50-320°C THREEPHASE
001		537001200	FIXING BRACKET FOR THERMOSTAT/COMM.
001		539018900	INDEX FOR KNOB
001		537000200	COMMUTATOR 1 POS. 3PHASE S.49 16A
001		536019700	BLACK KNOB §70 PIN §6*5
001		539018400	ADHESIVE GRADUATED DISC FOR KNOB
001		544508100	
001		537014200	GREEN WARNING LIGHT 250V
001		537014100	WHITE WARNING LIGHT 250V
001		537027400	TERMINAL BLOCK THREEPHASE 40A
001		537012800	SAFETY THERMOSTAT 420°C THREEPHASE
001		541133800	DRIP TRAY FT-55
001		541190400	CONTROL PANEL 607090 FTT-610ET
001		544508000	
001		537036500	TERMINAL BLOCK 4POLES 40A SCREW-SCR
001		533010500	LEG M10*25 D.40