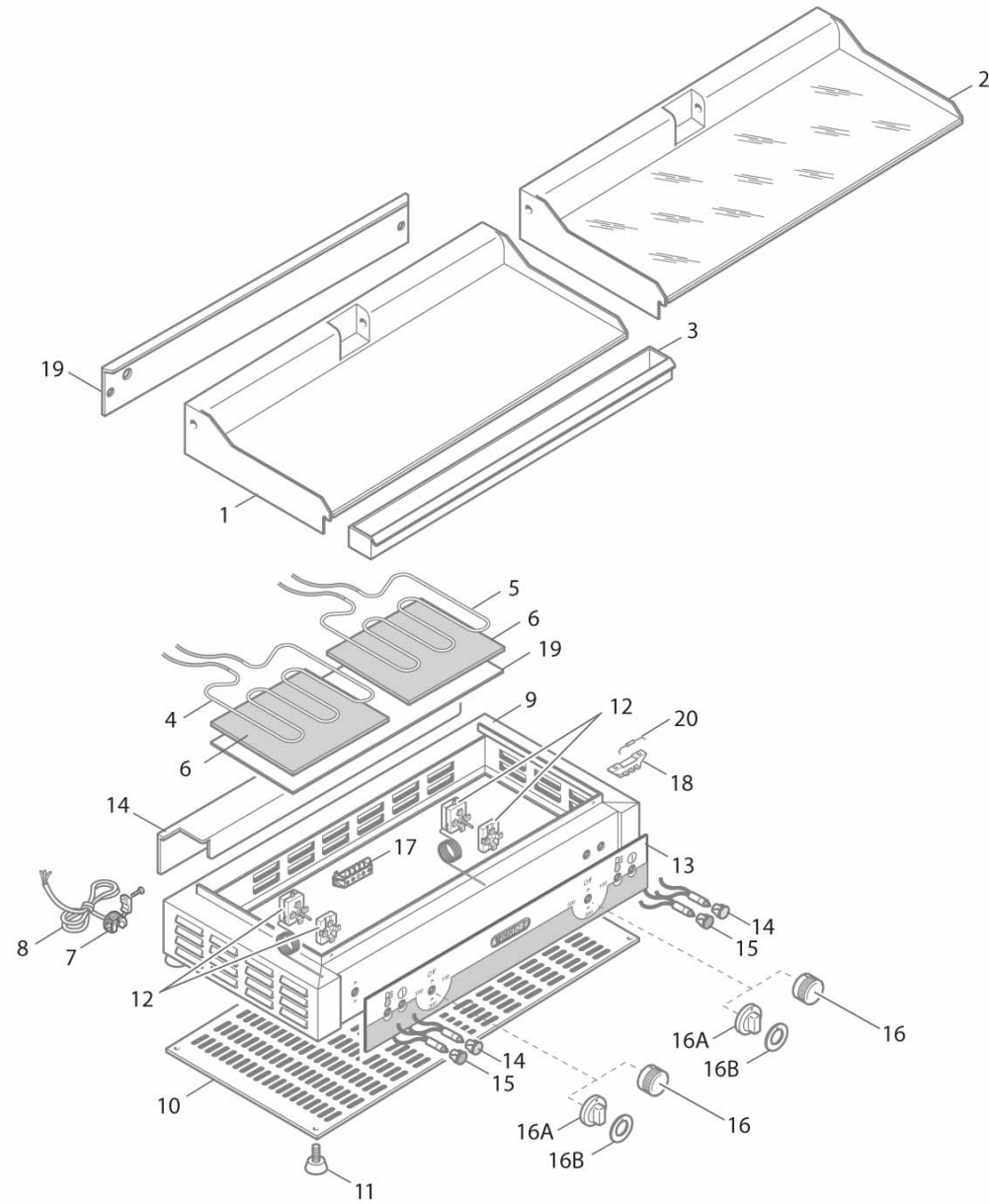




# PDT/SX





Pos. Item	Codice Code	Descrizione	Item Description	Designation articles	Artikelbeschreibung	Decripción articulos	N° pezzi - No. pieces					
											PDT/SX	
1	30909900	Ass. piastra inferiore pdt/l	Sm. lower plate pdt/l	Pl. infÉrieure lisse pdt/l	Gl. untere platte pdt/l	Placa inf. lisa pdt/l						-
2	30909910	Ass. piastra inf.pdt/sx lucid.	Smooth lower plate pdt/sx	Plaque infÉrieure lisse pdt/sx	Glatte untere platte pdt/sx	Placa inferior lisa pdt/sx						1
3	30791900	Ass.cassetto racco. pd	Drip tray pd	Bac recueille-sauces pd	Sauceauffangschale pd	Sauceauffangschale pd						1
4	30193400	Tu. vetrotex d.5 l.250 mm	Glass tube	Tube verre	Isolierend kleines rohr fuer	Tubo vidrio						2
5	30023500	Res.inf.comp.1000w-230v ps/p	1000w-230v-1000w-230v element	Resistance 1000w-230v ps/p	Un. heizkoerper 1000 w 230v	Resistencia 1000w-230v ps/p						2
6	30921800	Qua. isomart ps/pd-pm/vtr 210x170x4	Isomart panel 210x170x4	Tableau isomart 210x170x4	Isoli. trenner 210x170x4	Panel isomart 210x170x4						2
7	30186500	Passacavo (6k 100 bs)	Cable guide	Passe-cAble	KabelfUhrung	Aislador pasapanel 6k 100 bs						1
8	30192400	Cavo 3x1.5 ps/pm	Power su. cable 3 x 1,5mm	Cable d'alim. 3 x 1,5mm	Versorg. 3 x 1,5mm	Cable de alime. 3x1,5 mm.						1
9	30863700	Ass.involucro base pd/l-d-vtr-st-sx	Base enc. pd/l-d-vtr-st-sx	Couv. base pd/l-d-vtr-st-sx	HÜlle basis pd/l-d-vtr-st-sx	Env. base pd/l-d-vtr-st-sx						1
10	30837500	Fondo per pd/l-d-st-sx-vtr	Bo. pd/l-d-st-sx-vtr	Fond pd/l-d-st-sx-vtr	Bodendpdl-d-st-sx-vtr	Fondopdl-d-st-sx-vtr	fondo pd/l-d-st-sx-vtr					1
11	30684100	Piedi. d.30xm8condado basso h.6mm	Foot h.6mm	Pied h.6mm	Fuss h.6mm	Pata h.6mm						4
12	30064600	Termostato 270°C. + commutatore	270°C thermostat + cycle selector	Ther. 270°C + commutateur de cycle	Ther. 270°C + umschalter zyklus	Termostato 270°C + conmutador						2
13	30899900	Pan. piastra doppia bertos	Berto's adhesive panel	Panneau adhÉsif berto's	Haftendes paneel berto's	Panel adhesivo berto's						1
14	30168800	Spia verde 230v d.10mmt150Ø	Green lamp 230v	Temoin lumineux vert 230v	Grüne kontrollampe 230v	Piloto verde 230v						2
15	30168500	Spia arancio 230v d.10mmt150Ø	Orange lamp 230v	Temoin lumineux orange 230v	Orange kontrollampe 230v	Piloto naranja 230v						2
16	35877200	Man. rossa p. 6x4.6 a o° ral3000	Red knob p. 6x4.6 a o° ral3000	Ma. rouge p. 6x4.6 a o° ral3000	Drehknopf p. 6x4.6 a o° ral3000	Mando rojo p. 6x4.6 a o° ral3000						2
16B	31953500	Serig.rossa manop.frytop/forno	Knob serigraphy	Serigraphie manette	Drehknopfserigraphie	Serigrafia mando						2
16	35876200	Manopola rossa p. 6x4.6 a o°	Red knob 6x4.6 o° c	Manette rouge 6x4.6 o° c	Drehknopf 6x4.6 o° c	Mando rojo 6x4.6 o° c						2
16A	38877600	Man. pa66 p.6x4.6 a'180°distanz.le	Knob pa66 p.6x4.6 a'180°	Manette pa66 p.6x4.6 a'180°	Drehknopf pa66 p.6x4.6 a'180°	Mando pa66 p.6x4.6 a'180°						2
16A	31876200	manopola pel rossa perno6x4,6	Electric red knob	Manette électrique rouge	Elektro-drehknopf	Mando elÉctrico rojo						2
17	30183800	Morsettiera a 3 poli fv 110 b	Terminal board 3 poles	Bornier 3 poles	Klemmenleiste	Bornera 3 polos						1
18	30184800	Morsettiera laterale fv 77/3	Lateral terminal board fv 77/3	Bornier latÉral fv 77/3	Sei. klemmenleiste fv 77/3	Bornera lateral fv 77/3						2
19	30868600	Lastra protez. ferro grande	Large protective sheet	Plaque de protection grande	Grosse schutzplatte	Placa de proteccion grande						1
20	30978100	Termofusibile 152°C - 15a	Thermofuse 152°C - 15a	Thermofusible 152°C - 15a	Thermoschmelzdraht 152°C - 15a	Termofusible 152°C - 15a						2