



MUSTER 350

LIST OF THE EXPLODED VIEWS



Rev. 7 - 02/04/2009

SHELL ASSY

COOLING SYSTEM 2nd Version M350A - M350W - M350AW

COOLING SYSTEM 1st Version M350A/W - M350W

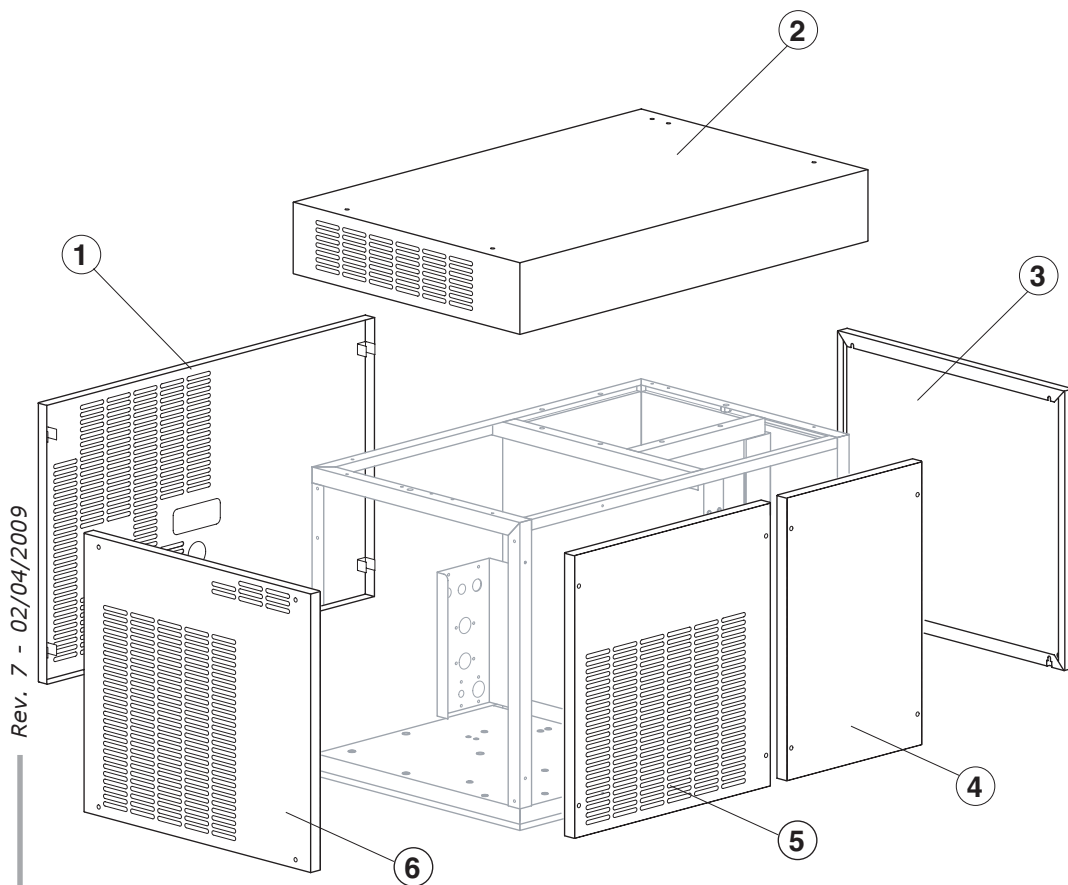
EVAPORATOR 2nd Version M350A - M350W - M350AW

EVAPORATOR 1st Version M350A/W - M350W

PUMP

ELECTRIC PARTS 2nd Version M350A - M350W - M350AW

ELECTRIC PARTS 1st Version M350A/W - M350W



Rev. 7 - 02/04/2009

Ref.	Spare Description	Code
1	Rear Panel	22427
2	Top Assembly	C22422
3	Right Side Panel	22425
4	Front Panel Assy (Evaporator Side)	C22424B
5	Front Panel (Condenser Side)	C22423
6	Left Side Panel	22426



Common Parts

Ref.	Spare Description	Code
1	Expansion Valve	20734
2	Orifice	20797
7	Solid Core Drier	14084
8	Vacuum-Charge Valve Plug	14006
9	Vacuum-Charge Valve Device	14005
10	Vacuum-Charge Valve Body	14007
11	Compressor	See Table
12	Hot Gas Valve Coil	23091
13	Hot Gas Valve Body	20409

Parts for Air-Cooled Version Only

Ref.	Spare Description	Code
4	Sucking Fan	20407
5	Air Condenser	20670

Parts for Water-Cooled Version Only

Ref.	Spare Description	Code
3	Pressostatic Valve	20149
6	Water Condenser	14507

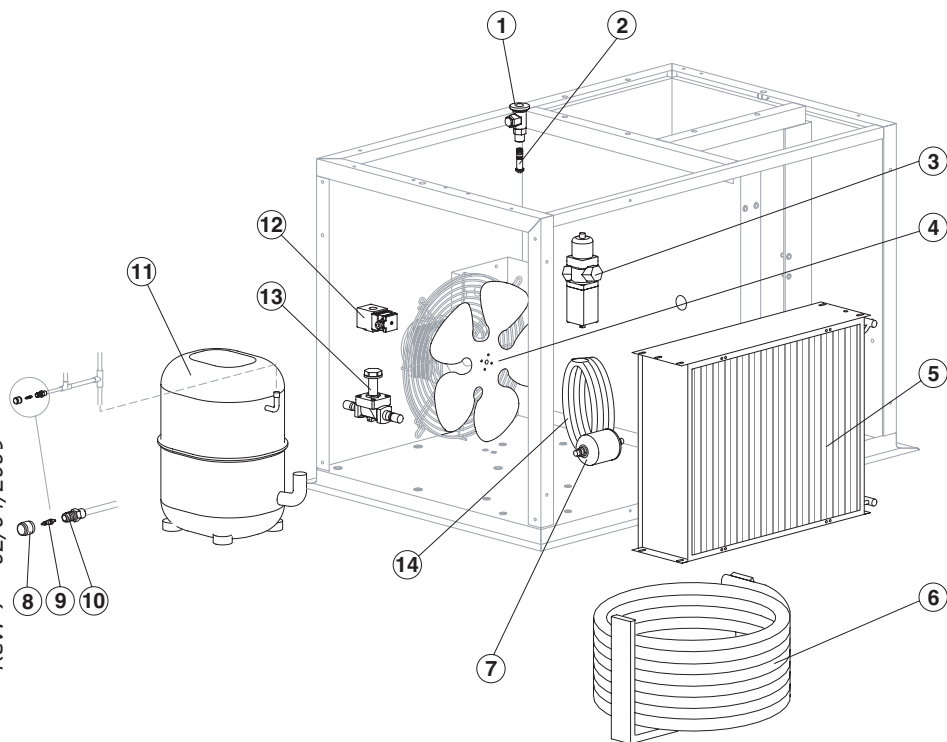
Parts for Mixed Cooled Version Only

Ref.	Spare Description	Code
4	Sucking Fan	20407
5	Air Condenser	20670
14	Water Condenser	14014

Ref. 10- Compressor

Tension	Code
T11	23514
T12	23515
T13	23516

Rev. 7 - 02/04/2009

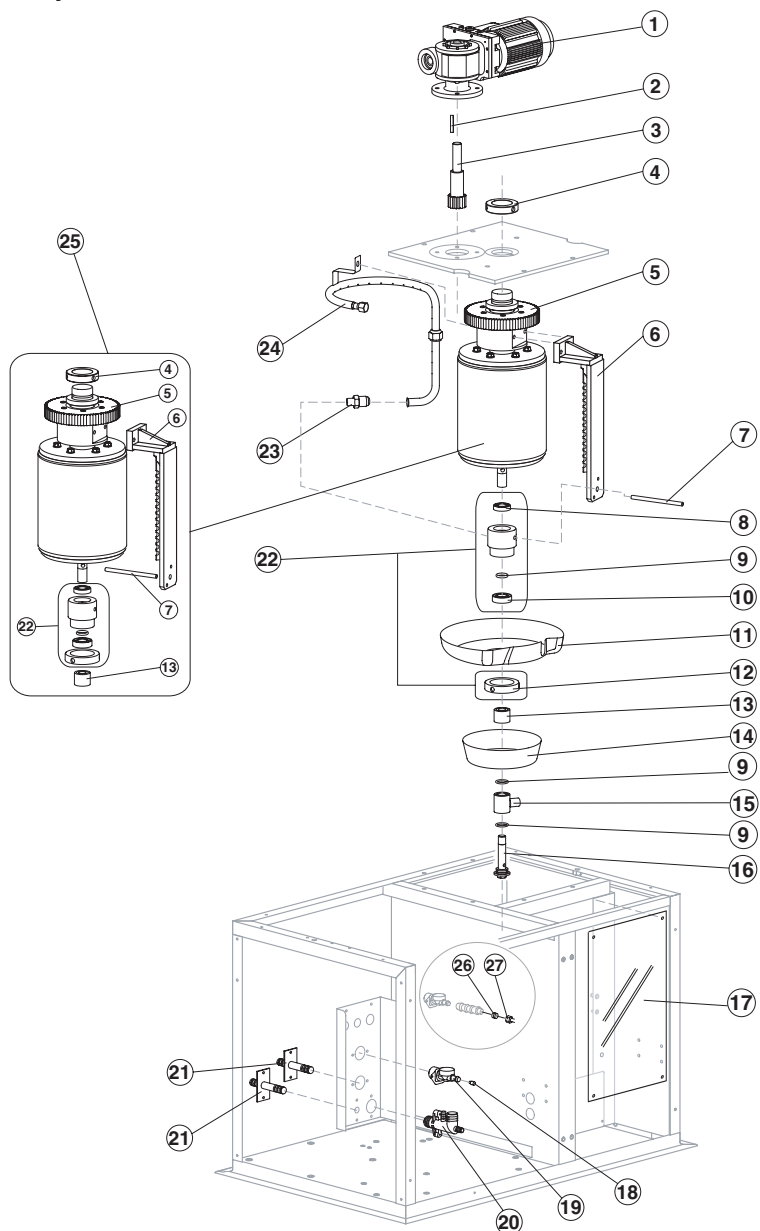




MUSTER 350

2nd Version M350A - M350W - M350AW

EVAPORATOR



Common Parts

Ref.	Spare Description	Code
1	Gearmotor Assy	See Table
2	Key 6x6x40	20350
3	Pinion with Shaft for Gearmotor	C20344
4	Cylinder Locking Ring Nut	20324
5	Ring Gear	20354
6	Scraper	Current Version 20846 Till s/n. 377385 20330
7	M8 Tie Rod (to Block Scraper)	20329
8	Stainless Steel Upper Bearing	20531
9	Silicone OR 4081 Ring	20338
10	Stainless Steel Bearing	20045
11	Rotating Basin	10184
12	Ring Nut for Rotating Ring	10182
13	Spacer	Currente Version 10519 Till s/n. 377385 20321
14	Fixed Basin	C10185
15	Water Inlet Ring	20851
16	Screw	20849
17	Evaporator Chamber Shield	Current Version 10523 Till s/n. 377385 10187
19	1 Way- Water Inlet Nipple	10239
20	Discharges Manifold	C10384
22	Complete Rotating Ring	C10180
23	Joint	20335
24	Sprayer Ring	C20858
24	Sprayer Ring	Till s/n. 377385 C20319
25	Evaporator	Current Version C20844 Till s/n. 377385 KITNEVM350
26	Bush	Till s/n. 261851 20405
27	Nut	Till s/n. 261851 20404

Parts for Mixed Cooled Version Only

Ref.	Spare Description	Code
18	Lt. 1,2 Flow Control for Water Inlet Connector	10011
21	Connection with Plate	C20462

Parts for Water-Cooled Version Only

Ref.	Spare Description	Code
21	Connection with Plate	C20462

Ref. 1- Gearmotor assy

Tension	Code
T11-T15	C23412
T12	C23389

Rev. 7 - 02/04/2009

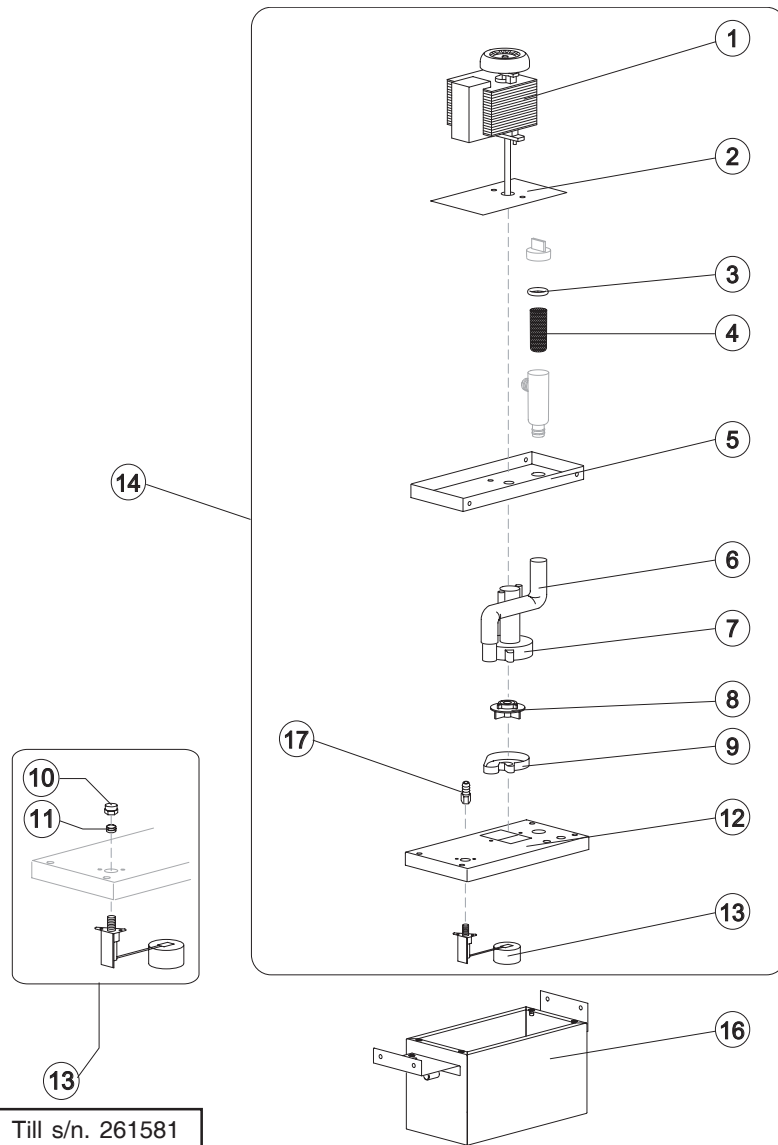


MUSTER 350

2nd Version M350A - M350W - M350A/W

1st Version M350A/W - M350W

PUMP



Ref.	Spare Description	Code
1	Pump	See Table -
2	Heat Dissipator	22430
3	Pump Filter Gasket	13080
4	Filtering Element	20254
5	Pump Motor Support	10161
6	Pump-Filter Connection Pipe	13084
7	Pump Body	10065
8	Pump Impeller	10190
9	Diffusor	10067
10	Nut	Till s/n. 261581 20404
11	Bush	Till s/n. 261581 20405
12	Water Pump Basin Cover	22420
13	Floating Valve	Current Version 10188
13	Floating Valve Assy	Till s/n. 261581 C10188
14	Pump and Filter Assy	See Table -
16	Water Pump Basin	C22419
17	Connection	20799

Ref. 1 - Pump Motor

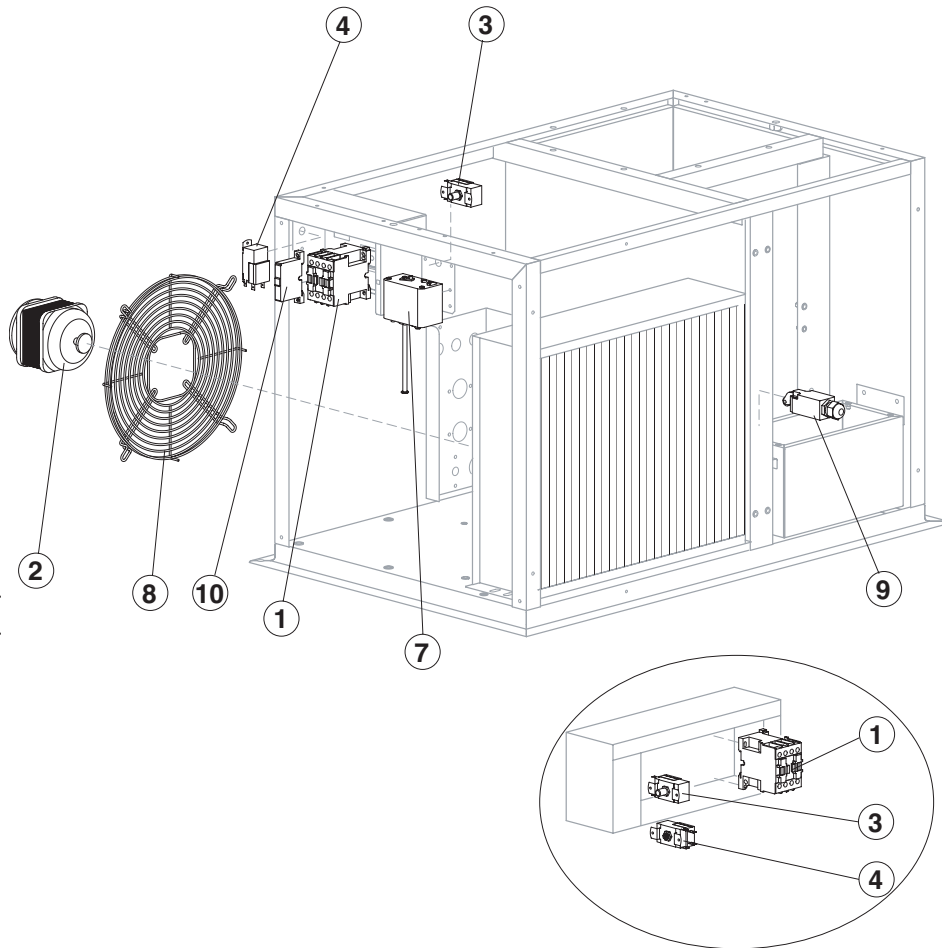
Tension	Code
T11	23073
T12	23187
T14	23073
T15	23073
T16	23187

Ref. 14 - Pump and Filter Assy

Tension	Code	Till s/n. 377385
T11	C26736	C26557
T12	C26737	C26713
T14	C26736	C26557
T15	C26736	C26557
T16	C26737	C26713



Ref. 14 - For ice-makers with s/n. before 261582 ask also the Nut (ref. 10) and the Bush (ref. 11).



Common Parts

Ref.	Spare Description	Code
1	Contactor	23147
3	Safety Pressure Switch (Maximum Pressure)	23342
4	Bin Thermostat	R23005
7	Safety Pressure Switch (Minimum Pressure)	23763
9	Microswitch for Overflow Ice	23746
10	Thermomagnetic circuit breaker	23910

Parts for Air-Cooled and Mixed Cooled Version Only

Ref.	Spare Description	Code
2	Fan Motor	23121
8	Fan Motor Grid	12056