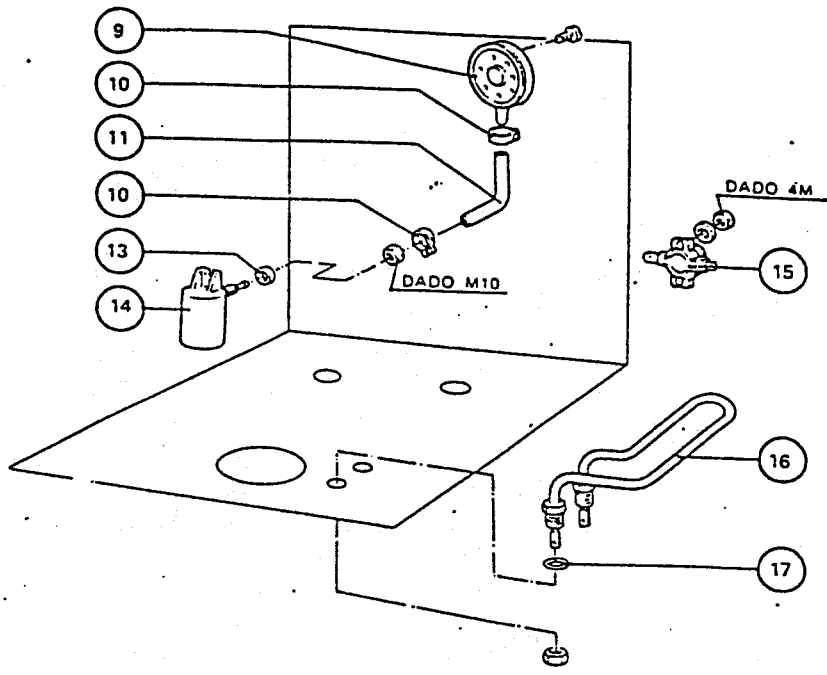
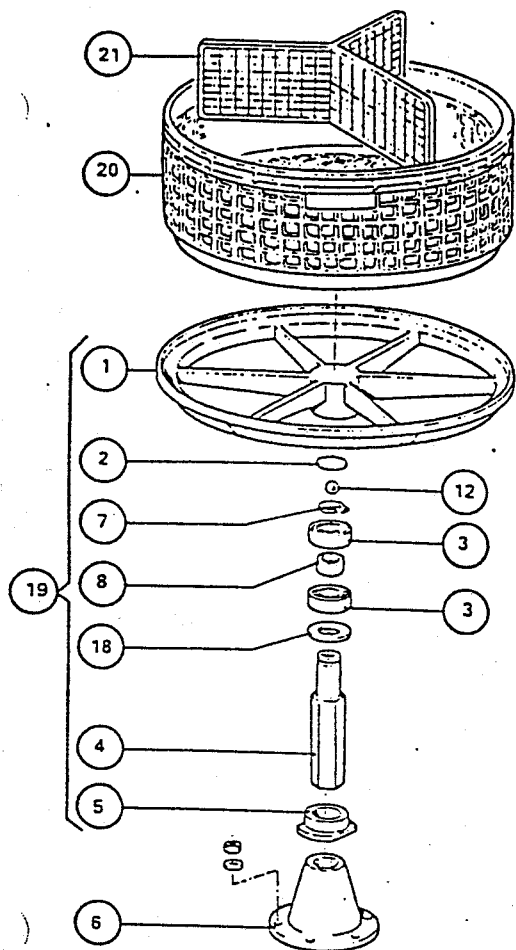
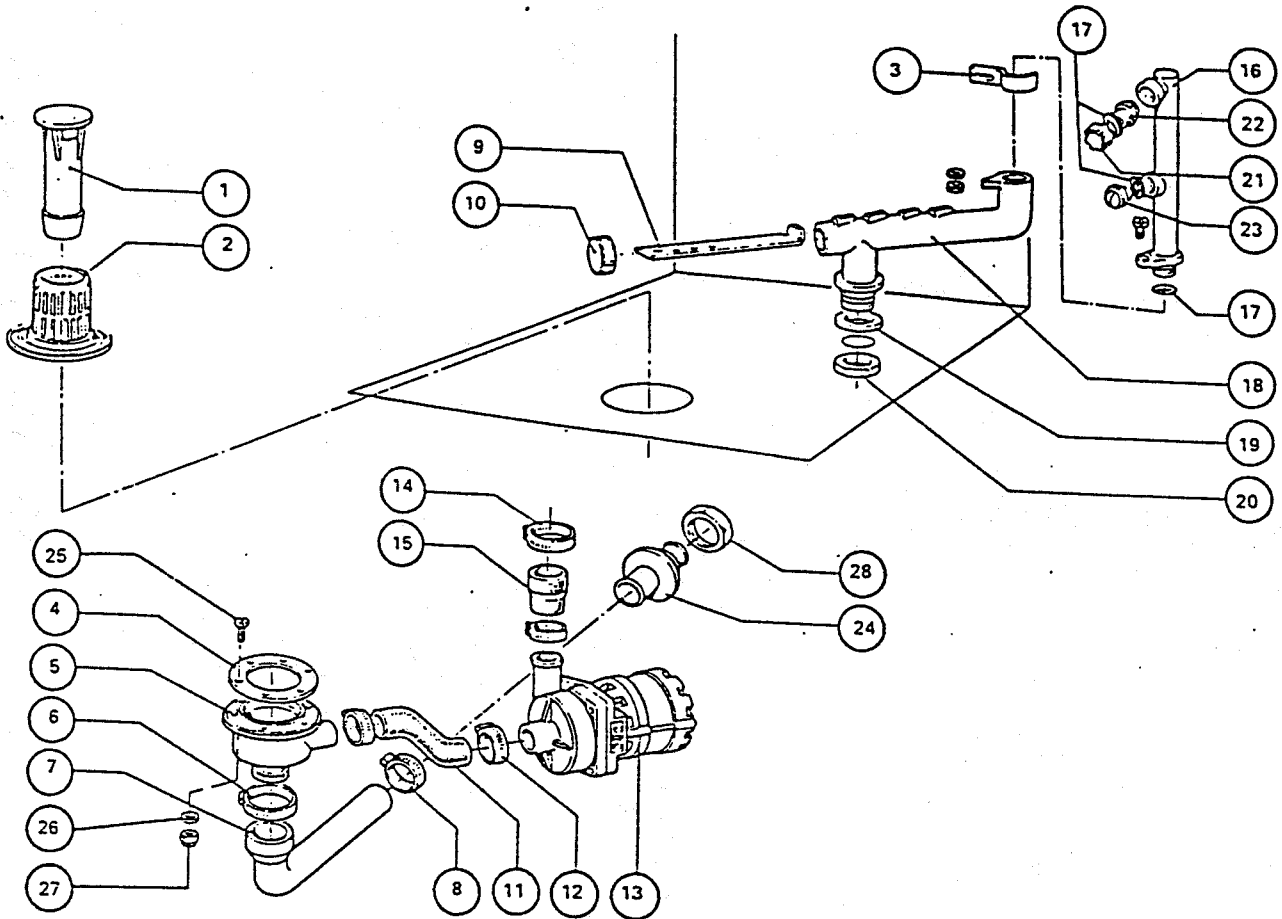


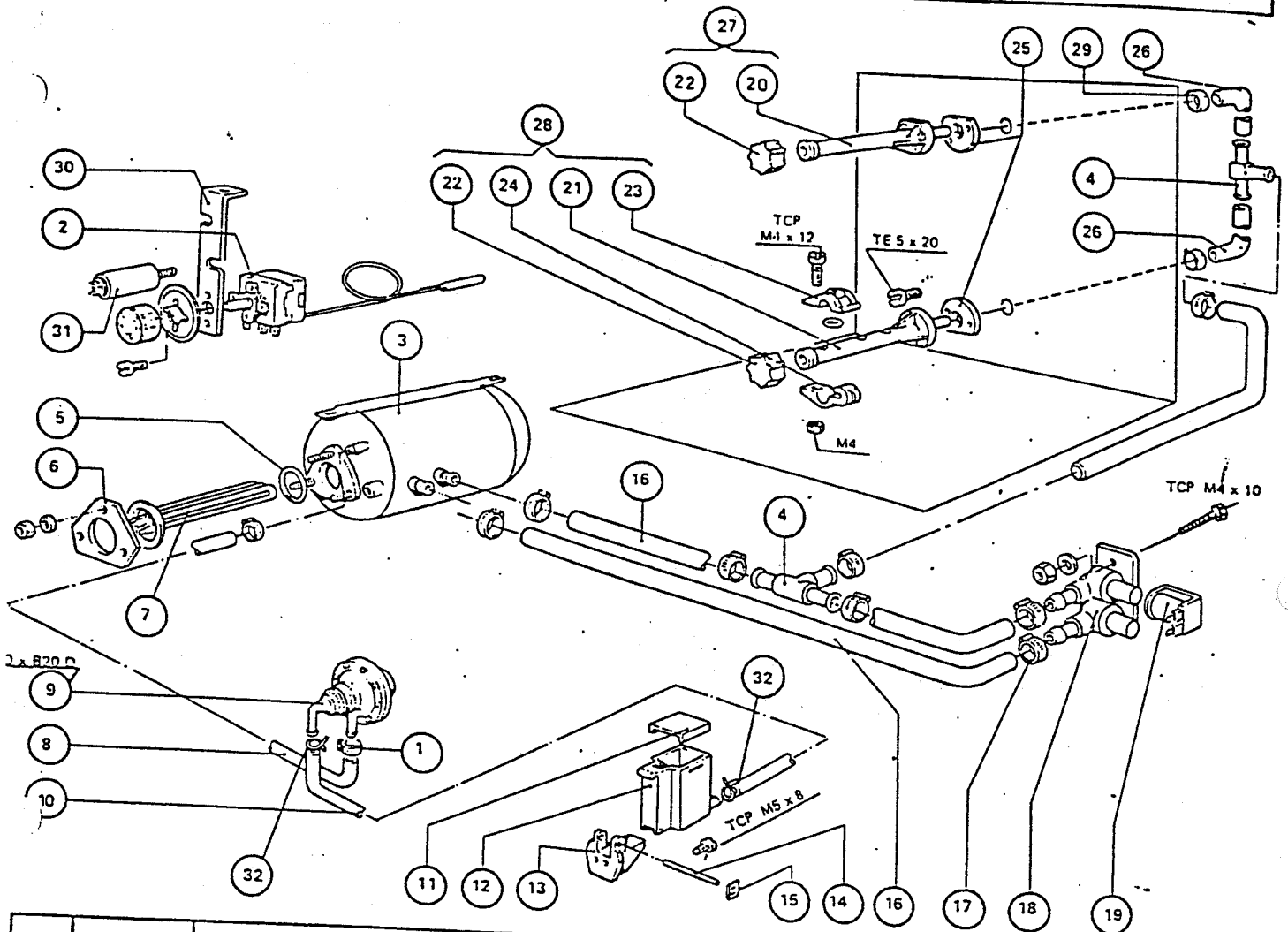
OS.	CODICE	DESCRIZIONE	DENOMINATION	DESCRIPTION	BEZEICHNUNG
1	340834	CARROZZERIA B24-B25	CARROSSERIE	BASE	KAROSSERIE
2	210402	PARACOLPI	PROTECTION	PAD	TURDAMPFER
3	321802	CERNIERA	PATTE	DOOR SUPPORT	HALTEPLATTE
4	200461	GUARNIZIONE	JOINT	GASKET	DICHTUNG
5	209923	PORTINA	PORTE	DOOR	TUR
6	381403	SCROCCHETTO	FERMETURE PORTE	DOOR CATCH	SCHNAPPVERSCHLUSS
7	170801	MANIGLIA	POIGNEE	DOOR HANDLE	TURGRIF
8	300156	VITE TCB M5x20	VIS TCB M5x20	SCREW 5MAx20	SCHRAUBE 5MAx20
9	290701	DADO CIECO	ECROU	LOCK NUT	MUTTER
10	161104	COPERTURA	PANNEAU	BACK-COVER	ABDECKUNG
11	110178	PANNELLO Elett. B24	TABLEAU COMMANDE	ELECTRIC PANEL	E-TAFEL
12	110179	PANNELLO Elett. B25	TABLEAU COMMANDE	ELECTRIC PANEL	E-TAFEL
13	210202	PIEDINO	PIED	FOOT	FUSS
14	341218	PERNO PER CERNIERA	AXE	PIN	STIFT
15	200714	TUBO CARICO	TUYAU	INLET HOSE	EINFULLSCHLAUCH
16	200346	TUBO SCARICO	DURITE	DRAIN HOSE	ABLAUFSCHLAUCH
17	260530	RONDELLA	RONDELLE	WASHER	GLEITRING



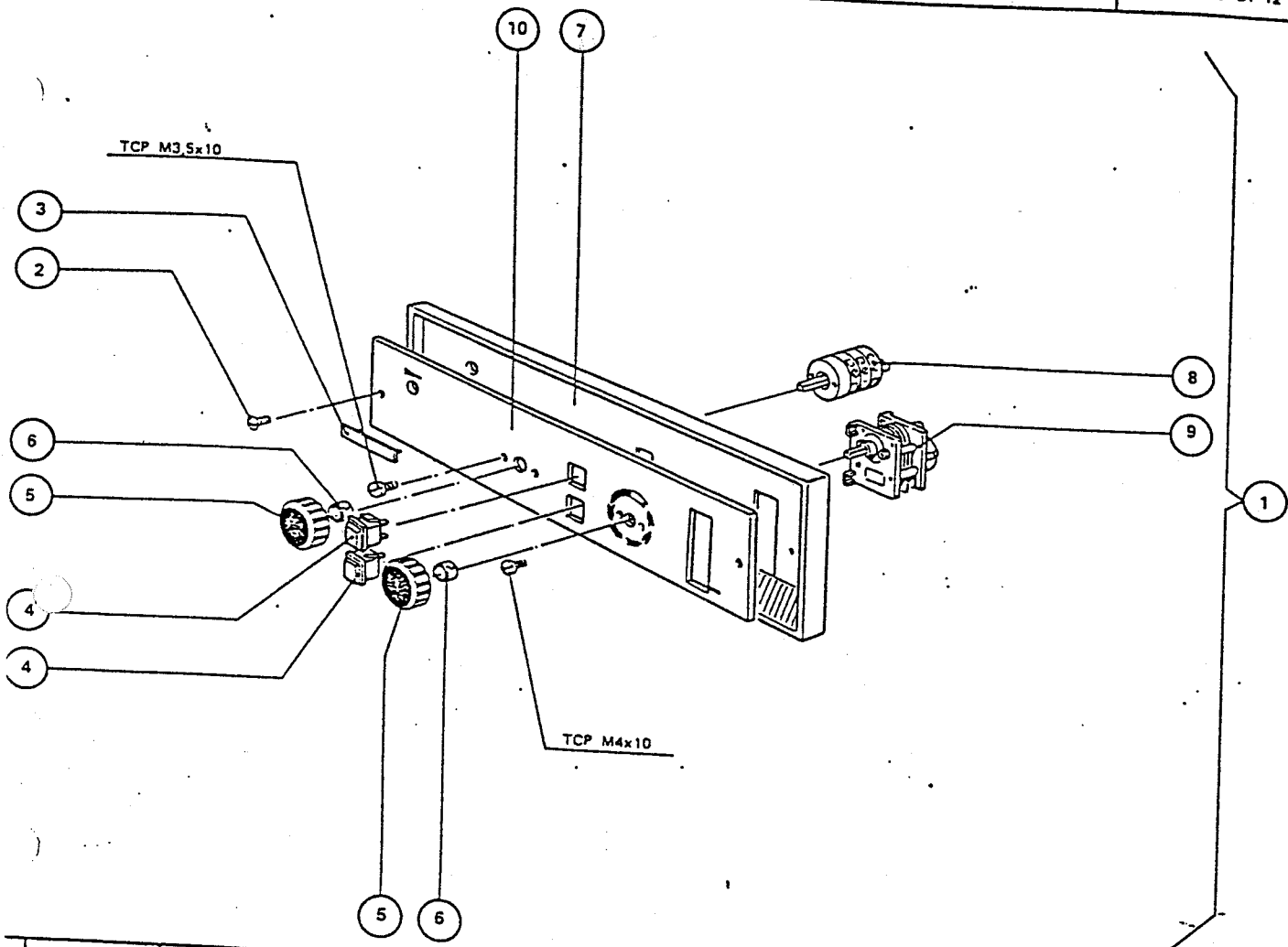
POS.	CODICE	DESCRIZIONE	DENOMINATION	DESCRIPTION	BEZEICHNUNG
1	170307	CERCHIO PORTACEST.	PORTE PANIER	RACK SUPPORT	KORBTRAGER
2	260529	RONDELLA	RONDELLE	WASHER	GLEITRING
3	410115	CUSCINETTO	ROULEMENT	BALL BEARING	KUGELLAGER
4	340472	ALBERINO	AXE	SPINDLE	KUGELLAGER
5	180110	GHIERA	EMBOUT	LOCK NUT	WELLE
6	190105	COLONNINA	COLONNE	LOCK NUT	KLEMMRING
7	440809	ANELLO D'ARRESTO	SEEGER	SUPPORT	TRAGERHALTERUNG
8	330817	DISTANZIALE	SEEGER	SNAP RING	SEEGER
9	130605	PRESSOSTATO	ENTRETOISE	SPACER	DISTANZRING
10	450125	FASCETTA ELASTICA	PRESSOSTAT	PRESSURE SWITCH	DRUCKWACHTER
11	200353	TUBO PRESSOSTATO	COLLIER	CLAMP	SCHLAUCHSCHELLE
12	410118	SFERA	TUYAU PRESSOSTAT	PRESS. SWITCH HOSE	DRUCHWACHERSCHLAUCH
13	200415	GUARNIZIONE	BILLE	BALL	KUGEL
14	161303	TRAPPOLA ARIA	JOINT	GASKET	DICHTUNG
15	120509	TERMOSTATO VASCA	CAPUCHON AIR	AIR TRAP	LUFTFALLE
16	110235	RESISTENZA 1500W	THERMOSTAT CUVE	THERMOSTAT	THERMOSTAT
17	200810	GUARNIZIONE OR	RESISTANCE	HEATING ELEMENT	HEIZKORPER
18	160825	RONDELLA	O-RING	O-RING	O-RING
19	620203	GRUPPO CERCHIO	RONDELLE	WASHER	GLEITRING
20	660703	CESTELLO	PORTE PANIER COMPL.	RACK SUPP. ASSEMBLY	KORBTRAGEREINHEIT
21	520612	INSERTO	PANIER	RACK	KORB
			INTERCALAIRE	INSERT	EINSATZ



POS.	CODICE	DESCRIZIONE	DENOMINATION	DESCRIPTION	BEZEICHNUNG
1.	180704	TROPPOPIENO	TROP PLEIN	OVERFLOW PIPE	UBERLAUFSTUTZEN
2	180809	FILTRO	FILTRE	STRAINER	FILTER
3	330611	FERMO BRACCIO SUP.	ARRET	TIE ROD	SCELLE
4	200436	GUARNIZIONE	JOINT	GASKET	DICHTUNG
5	180210	TRONCHETTO	TRONC	PUMP SUCTION	ANSAUGSTUTZEN
6	450107	FASCETTA 38 + 50	COLLIER	CLAMP	SCHLAUSCHSELLE
7	200345	TUBO SCARICO	DURITE	DRAIN HOSE	ABLAUSCHLAUCH
8	450114	FASCETTA 22 + 32	COLLIER	CLAMP	SCHLAUSCHSELLE
9	320624	PIASTRINA	PATTE	SUPPORT	PLATTE
10	160710	TAPPO PER TUBO	BOUCHON	PLUG	PROFFEN
11	200719	TUBO ASPIRAZIONE	TUYAU	SUCTION HOSE	ANSAUGSCHLAUCH
12	450105	FASCETTA 26 + 38	COLLIER	CLAMP	SCHLAUSCHSELLE
13	100628	POMPA 0,12 HP	POMPE	PUMP	PUMPE
13	100377	POMPA 0,10 HP	POMPE	PUMP	PUMPE
14	450105	FASCETTA	COLLIER	CLAMP	SCHLAUSCHSELLE
15	200369	MANICOTTO	MANCHON	DISCHARGE HOSE	VERBINDUNGSSCHLAUCH
16	170604	TUBO LAV. LATERALE	TUYAU	WASH PIPE	SEITL. WASCHARM
17	200819	GUARNIZIONE OR	O-RING	O-RING	O-RING
18	170603	TUBO LAV. INF.	TUYAU	LOWER WASH PIPE	UNTERER WASCHARM
19	200412	GUARNIZIONE	JOINT	GASKET	DICHTUNG
20	270106	GHIERA	EMBOUT	LOCK NUT	KLEMMRING
21	170908	UGELLO	GICLEUR	NOZZLE	SPULDOUSE
22	190618	DIFFUSORE	DIFFUSEUR	DEFLECTOR	VERTEILER
23	170924	UGELLO A TAGLIO	GICLEUR	NOZZLE	SPULDOUSE
24	190304	RACCORDO DI SCARICO	RACCORDEMENT	DRAIN CONNECTION	ABLAUFANSCHLUSS
25	260224	VITI TB 6 x 15	VIS	SCREW	SCHRAUBE
26	160804	GUARNIZIONE DUBO	JOINT	GASKET	DICHTUNG
27	290701	DADO CIECO	ECROU	LOCK NUT	MUTTER
28	180101	CONTRODADO Ø 3/4"	EMBOUT 3/4"	RETAINING NUT 3/4"	GEGENMUTTER 3/4"



POS.	CODICE	DESCRIZIONE	DENOMINATION	DESCRIPTION	BEZEICHNUNG
1	450123	FASCETTA	COLLIER	CLAMP	SCHLAUCHSCHELLE
2	120501	TERMOSTATO BOILER	THERMOSTAT	THERMOSTAT	THERMOSTAT VIERECK.
3	330316	BOILER ROTONDO	SURCHAUFFEUR	ROUND BOOSTER	RUNDDURCHLAUFERHITZER
4	180403	COLLETTORE RISCIAQUO	BRANCHEMENT	RINSE COLLECTOR	SPULUNGSVERTEILER
5	200820.	GUARNIZIONE OR	O-RING	O-RING	O-RING
6-7	110364	RESISTENZA 2400W CON FERMA RESISTENZA	RESISTANCE 2400W	HEATING ELEMENT	HEIZKORPER
8	200347	TUBO MANDATA DOS.	PATTER FISSAGE RESIS	HEATER PLATE	HEIZKORPERHALTERUNG
9	620120	DOSATORE	TUYAU	INJECT OUTLET TUBE	DOSIERUNGS-AUSLAUFSCH.
10	160105	TUBO ASPIRAZ. DOS.	DOSEUR	RINSE INJECTOR	GLANZMITTELDOSEIERER
11	160715	COPERCHIO CONTEN.	TUYAU ASP. DOSEUR	INJECT. INLET TUBE	ANSAUGSCHLAUCH
12	190802	CONTENITORE BRILL.	COUVERCLE	CONTAINER COVER	BEHALTERDECKEL
13	190106	SUPPORTO CONTENIT.	CONTAINER PROD. RINC.	RINSE AID CONT	GLANZMITTELBEHALTER
14	340484	PERNO CONTENITORE	SUPPORT	SUPPORT	HALTERUNG
15	450812	MOLLA FISS. PERNO	AXE	PIN	STIFT
16	200342	TUBO RISC. FREDDO	RESSORT	LOCK PLATE	FEDER
17	450104	FASCETTA O 16 + 28	TUYAU RINC. FROID	COLD RINSE HOSE	KALTSPULROHR
18	120146	ELETTROVALVOLA	COLLIER	CLAMP	SCHLAUCHSCHELLE
19	630969	BOBINA ELETTROV.	ELECTROVANNE	SOLENOID VALVE	E-VENTIL
20	170619	BRACCIO RISCIAQ. SUP.	BOBINE ELECTROVANNE	COIL	SPULE
21	170620	BRACCIO RISCIAQ. INF.	BRAS RINCAGE SUP.	UPPER RINSE ARM	OBERER NACHSPULARM
22	160730	TAPPO DI RISCIAQUO	BRAS RINCAGE INF.	LOWER RINSE ARM	UNTERER NACHSPULARM
23	170911	UGELLO RISCIAQUO	BOUCHON	PLUG	PROPFEN
24	170704	CAVALLOTTO FISS. UG.	GICLEUR-RINCAGE	RINSE GET	SPULDUSE
25	200458	GUARNIZ. BRAC. RIS.	PLAQUETTE	RINSE NOZZLE BOTTOM	HALTERUNG NACHSPULDUSE
26	200601	TUBO PER RISCIAQUO	JOINT	GASKET	DICHTUNG
27	170621	ASSIEME BRACCIO SUP.	TUYAU RINCAGE	RINSE HOSE	NACHSPULROHR
28	170622	ASSIEME BRACCIO INF.	BRAS RINC. COMPLET. SUP.	COMPLETE UPPER RINSE ARM	KOMPLET.OBERER NACHSPUL.
29	450103	FASCETTA O 13 - 20	BRAS RINC. COMPLET. INF.	COMPLETE LOWER RINSE ARM	KOMPLET.UNTERER NACHSPUL.
30	350784	SQUADRETTA	COLLIER	CLAMP	SCHLAUCHSCHELLE
31	631209	FILTRO ANTI DISTURBO	EQUERRE	BRACKET	WINKEL
32	460116	FASCETTA A DUE FILI	FILTRE	ANTI-NOISE FILTER.	ENTSTORFILTER
			COLLIER	CLAMP	SCHLAUCHSCHELLE



S.	CODICE	DESCRIZIONE	DENOMINATION	DESCRIPTION	BEZEICHNUNG
	110178	PANNELLO ELETTR.	TABLEAU COMMANDE	ELECTRIC PANEL	E-TAFEL
	300156	VITE TCB M5x20	VIS	SCREW	SCHRAUBE
	460159	TARGHETTA	PLAQUE	NAME PLATE	MARKENSCHILD
	130111	LAMPADA ROSSA	LAMPE ROUGE	RED LIGHT	ROTE MELDELEUCHE
	130112	LAMPADA VERDE	LAMPE VERTE	GREEN LIGHT	GRUNE MELDELEUCHE
	0111	MANOPOLA	POIGNEE	KNOB	DREHKNOPF
	440817	ANELLO ELASTICO	ANNEAU RESORT	SNAP RING	FEDERSPERRING
	460144	TARGA	PLAQUE	FRONT PANEL	FRONTTAFEL
	120708	INTERRUT. GENERALE	INTERRUPTEUR	SWITCH	EINSCHALTER
	120213	TIMER 120"	PROGRAMMATEUR	TIMER	ZEITSCHALTER
	460166	TARGA COMANDI B24	PLAQUE	FRONT PANEL	FRONTTAFEL

