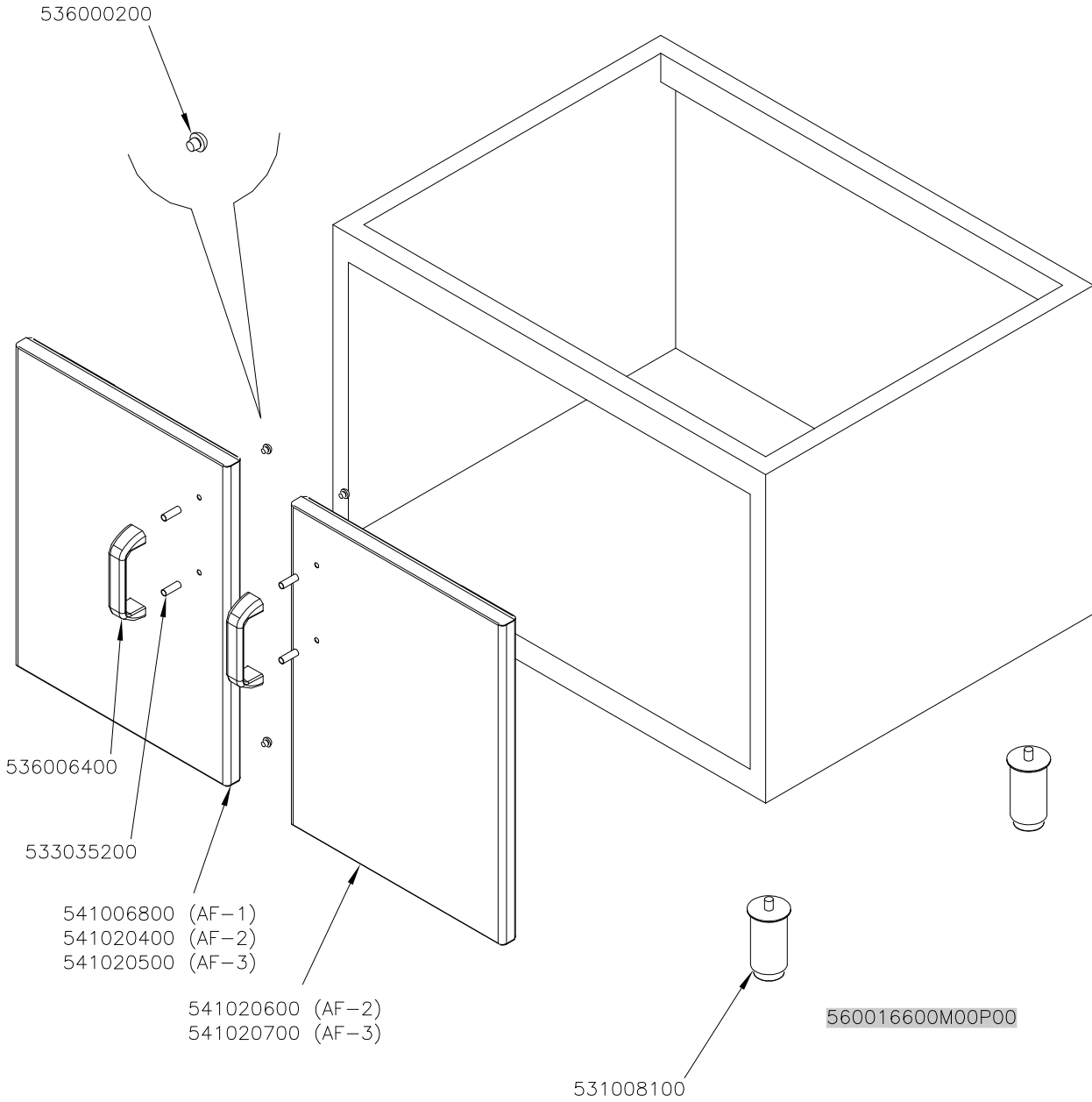


AF-1 AF-2 AF-3



Page	Pos	Code	Description
001		536000200	D.12 H.4 BUMPER
001		536006400	BLACK HANDLE 65/FE/FG
001		533035200	
001		541020400	LHD DOOR AF-2
001		541020600	RHD DOOR AF-2
001		531008100	ADJUSTABLE LEG H9 CHROME