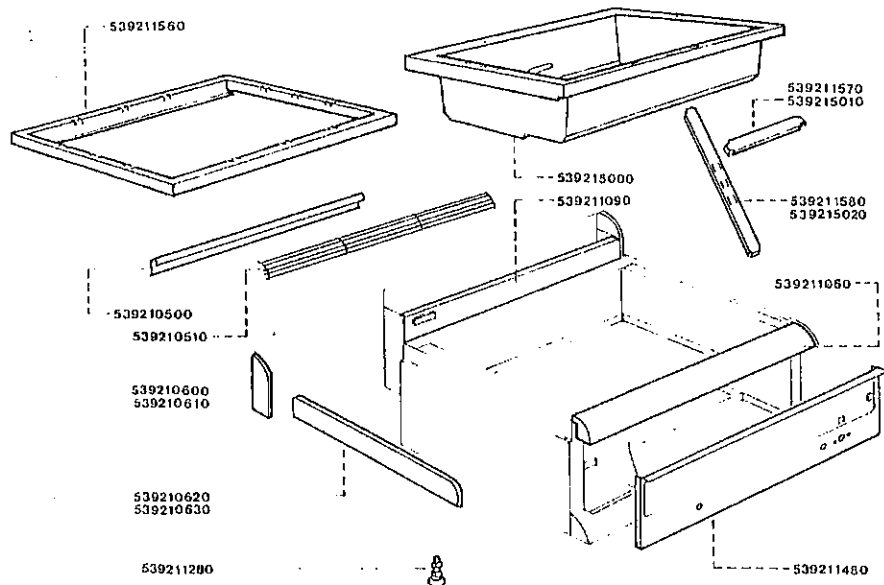


E350/41 WET BAIN MARIE



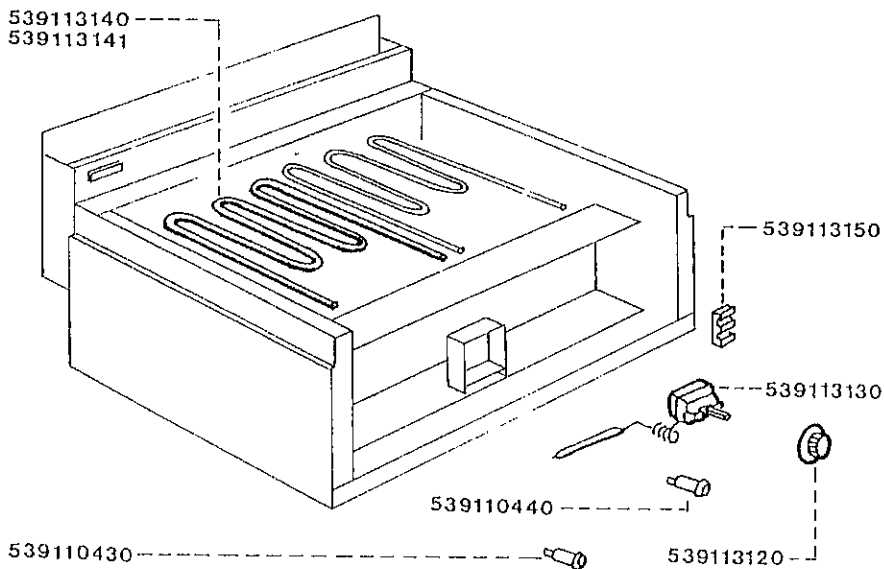
Fitments

Code No.	Description
12C 539210600	Rear Cheek
12C 539210610	Rear Cheek
7D 539210620	Side Cheek
7D 539210630	Side Cheek
6C 539211030	Flue Trim
9C 539211040	Flue Grid
10D 539211050	Hob Rail
11C 539211080	Flue Front
1D 539211100	Drip Tray
9A 539211280	Foot
9D 539211470	Control Panel
7F 539211550	Support Assembly
5C 539211570	Centre Bridge Bar (Dry B.M. only)
8C 539211580	Intermediate Bridge Bar (Dry B.M. only)
3L 539215000	Water Pan
9C 539215010	Centre Bridge Bar (Wet B.M. only)
10C 539215020	Intermediate Bridge Bar (Wet B.M. only)

N.B. These Fitments also cover the revised E350/42 Bain Marie.

Controls

Code No.	Description
7B 539110430	Lamp Indicator (Amber)
7B 539110440	Lamp Indicator (Red)
5B 539113120	Control Knob
1E 539113130	Thermostat
4E 539113131	Thermostat c/w Knob (not illustrated)
1F 539113140	Element 240V
1F 539113141	Element 220V
2B 539113150	Terminal Block



Falcon Catering Equipment

Commercial and institutional catering equipment

Falcon Catering Equipment is a business name of Glynwed Consumer & Building Products Ltd. a member of the Glynwed International plc group of companies

Sheet Reference Number

E350/43'1184'002

