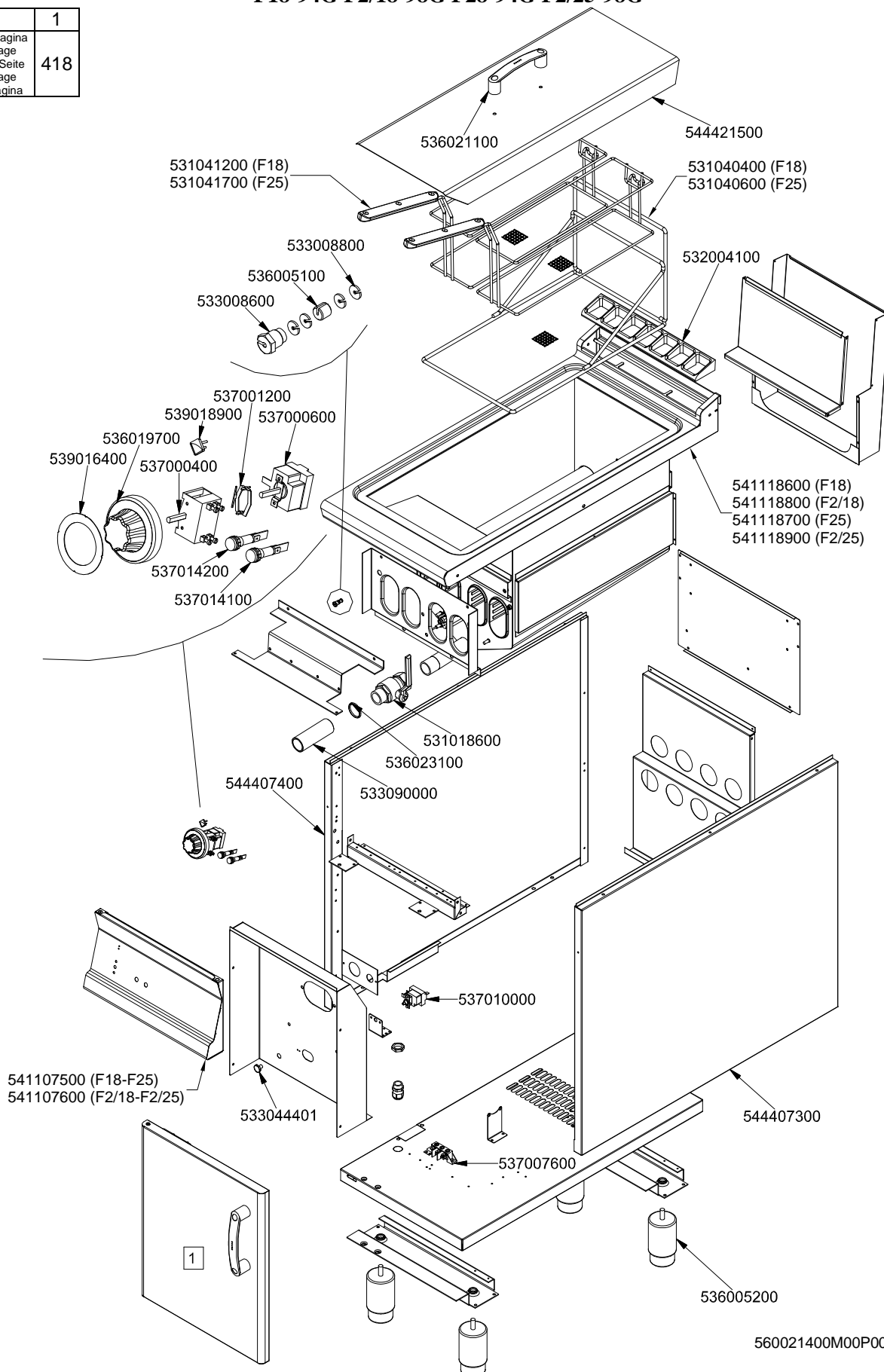


IPERLOTUS 90

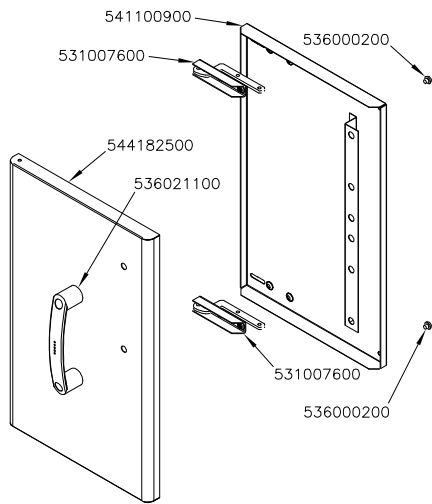
GAS / GAS / GAS / GAZ

F18-94G F2/18-98G F28-94G F2/25-98G

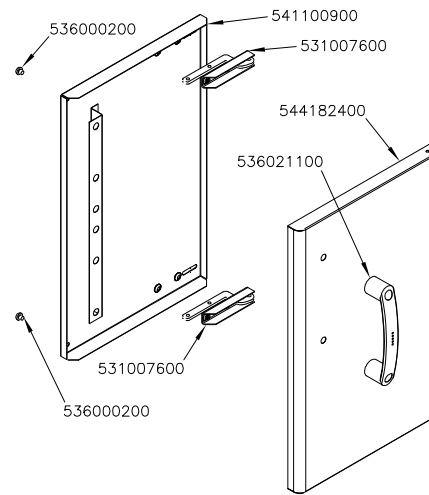
1	
Vedi Pagina See Page Siehe Seite Voir Page Ver Página	418



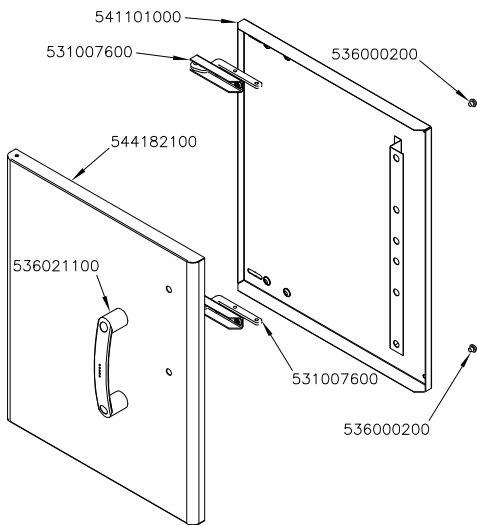
PORTE / DOORS / FLÜGELÜREN / PORTES



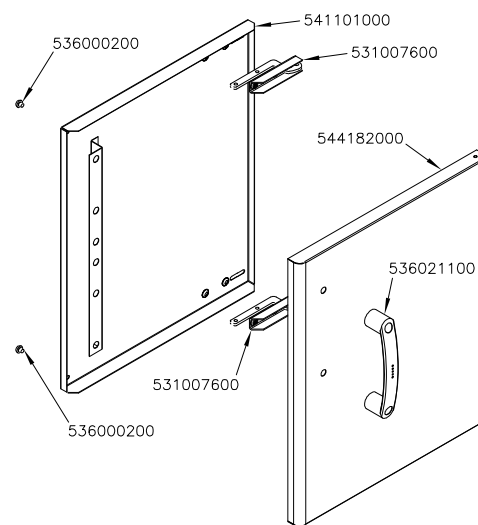
P-73/93 SX



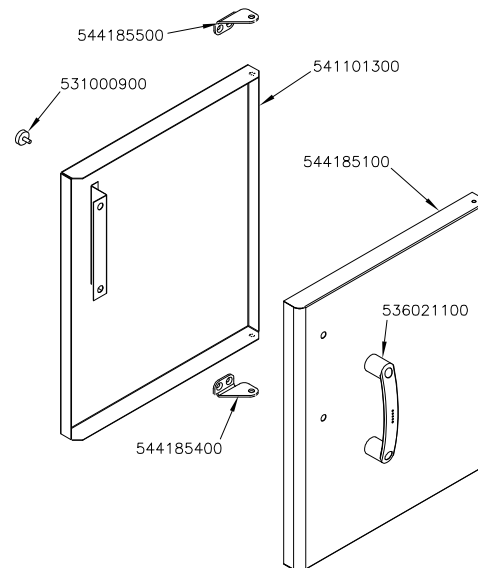
P-73/93 DX



P-74/94 SX



P-74/94 DX



P-74/94 DX CF

560012800M00P00

Page	Pos	Code	Description
001		531041700	BASKET F25-94G/E 1/2 140X450X150
001		531040600	TANK FILTER/BASKET SUPPORT F25-94G
001		541118700	UPPER PLATE F25-94G
001		541107500	CONTROL PANEL F13/18-74E
001		536021100	BLACK HANDLE 70LINE + 2RED POINTS
001		544421500	
001		532004100	FLUE GRID L=370 70LINE (RAF)
001		533008800	WASHER FOR STUFFING BOX §7.7
001		536005100	GRAPHITE §07,4 GASKET
001		533008600	STUFFING BOX M9*1
001		537001200	FIXING BRACKET FOR THERMOSTAT/COMM.
001		539018900	INDEX FOR KNOB
001		537000600	THERMOSTAT 90-180°C SINGLEPHASE
001		536019700	BLACK KNOB §70 PIN §6*5
001		539016400	ADHESIVE GRADUATED DISC FOR KNOB
001		537000400	COMMUTATOR 1POS.SINGLEPHASE S49 16A
001		537014200	GREEN WARNING LIGHT 250V
001		537014100	WHITE WARNING LIGHT 250V
001		531018600	BALL VALVE 1"G M-F CPM-62G
001		536023100	O-RING GASKET 31,34X3,53 VITON
001		533090000	
001		544407400	LEFT SIDE PANEL 70 LINE
001		537010000	SAFETY THERMOSTAT 220°C SINGLEPHASE
001		533044401	M8 THREADED CAP FOR SEC.THERMOSTAT
001		537007600	TERMINAL BLOCK SINGLEPHASE 40A
001		544407300	RIGHT SIDE PANEL 90 LINE
001		536005200	INOX LEG 2" 120-180 M10
002		536000200	D.12 H.4 BUMPER
002		531007800	
002		541100900	INNER DOOR 73
002		531007600	DOOR HINGE
002		544182500	RIGHT DOOR 73
002		536021100	BLACK HANDLE 70LINE + 2RED POINTS
002		544182400	RIGHT DOOR 73
002		544182000	RIGHT DOOR 74
002		541101000	INNER DOOR 74
002		544182100	LEFT DOOR 74
002		544185400	LOWER DOOR HINGE FOR COMPARTME CF70
002		544185100	RIGHT DOOR 74
002		541101300	RIGHT INNER DOOR 74 CF
002		544185500	UPPER DOOR HINGE FOR COMPARTME CF70
002		531000900	MAGNET §22 KG.3 WITH DISK