



Würfeleisbereiter kl. Würfel, Wasserk., 140 kg/24 h, ohne Speicher

Artikel-Nr.
711063 (VM350W)

Explosionszeichnung / Ersatzteile

Bitte bei Ersatzteilbestellung immer Artikelnummer und
Seriennummer mit angeben!



VM 350

FROM S/N 394023

LIST OF THE EXPLODED VIEWS



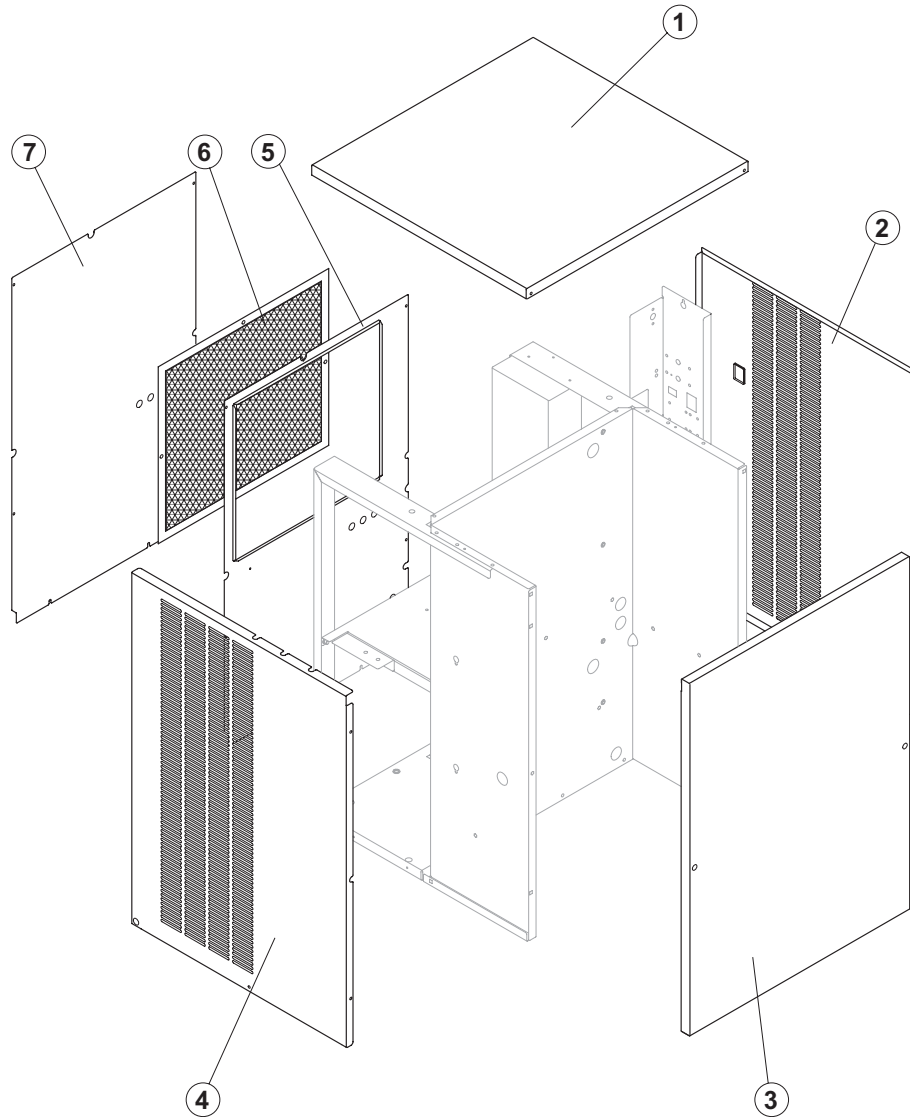
SHELL ASSY

COOLING SYSTEM

HYDRAULIC CIRCUIT

SPRAYER PUMP

ELECTRICPARTS



Common Parts

Ref.	Spare Description	Code
1	Top Assembly	C221084
2	Right Side Panel	221075
3	Front Panel Assembly	C221077
4	Left Side Panel	221076

Parts for Air-Cooled Version Only

Ref.	Spare Description	Code
5	Rear Panel	21329
12*	Filter	18163

Componenti Solo Versione Acqua

Ref.	Spare Description	Code
7	Rear Panel	21331



Common Parts

Ref.	Spare Description	Code
3	Evaporator	D10539
4	Evaporator Cover Panel	22798
6	Horizontally Hinged Panel	22801
7	Compressor	See Table
8	Vaccum-Charge Valve Body	14007
9*	Vaccum-Charge Valve Device	14005
10*	Vaccum-Charge Valve Plug	14006
12*	Hot Gas Valve Coil	See Table
13*	Hot Gas Valve Body	20409
14*	Liquid Line Drier	14084
15	Suctin Line	for the spare parts code give us the s/n.

Parts for Air-Cooled Version Only

Ref.	Spare Description	Code
1	Sucking Fan	20407
1	Sucking Fan	Only 110/115V 60 Hz 20671
2	Air Condenser	20884

Parts for Water-Cooled Version Only

Ref.	Spare Description	Code
11	Water Condenser	14081



Eliminated the Spring (horizontally hinged panel) ref. A, suggested removal even from the models where they are present.

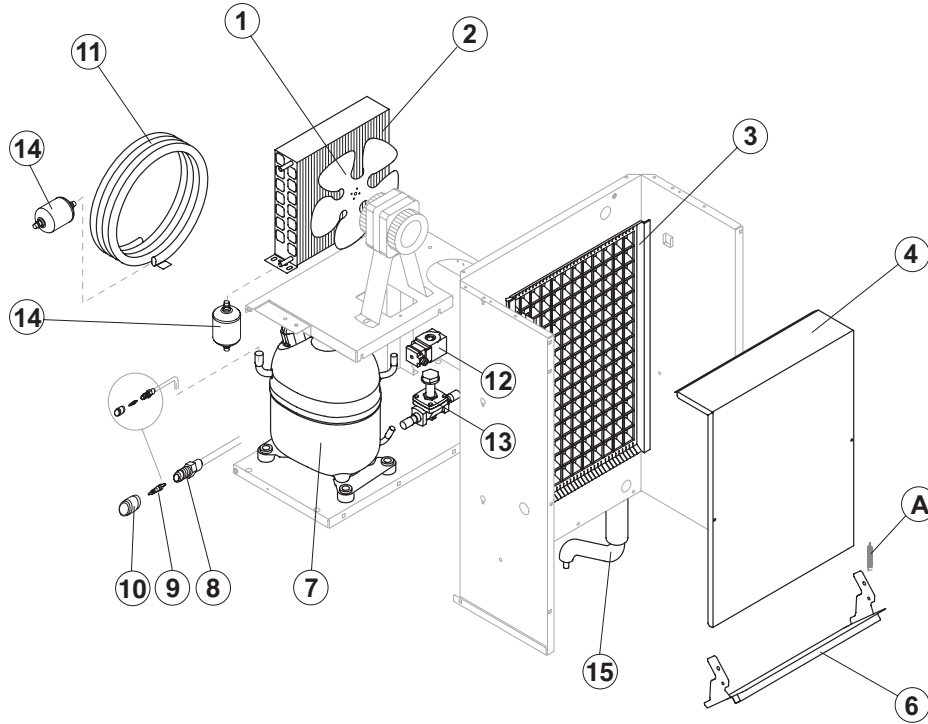
Ref. 7 - Compressor

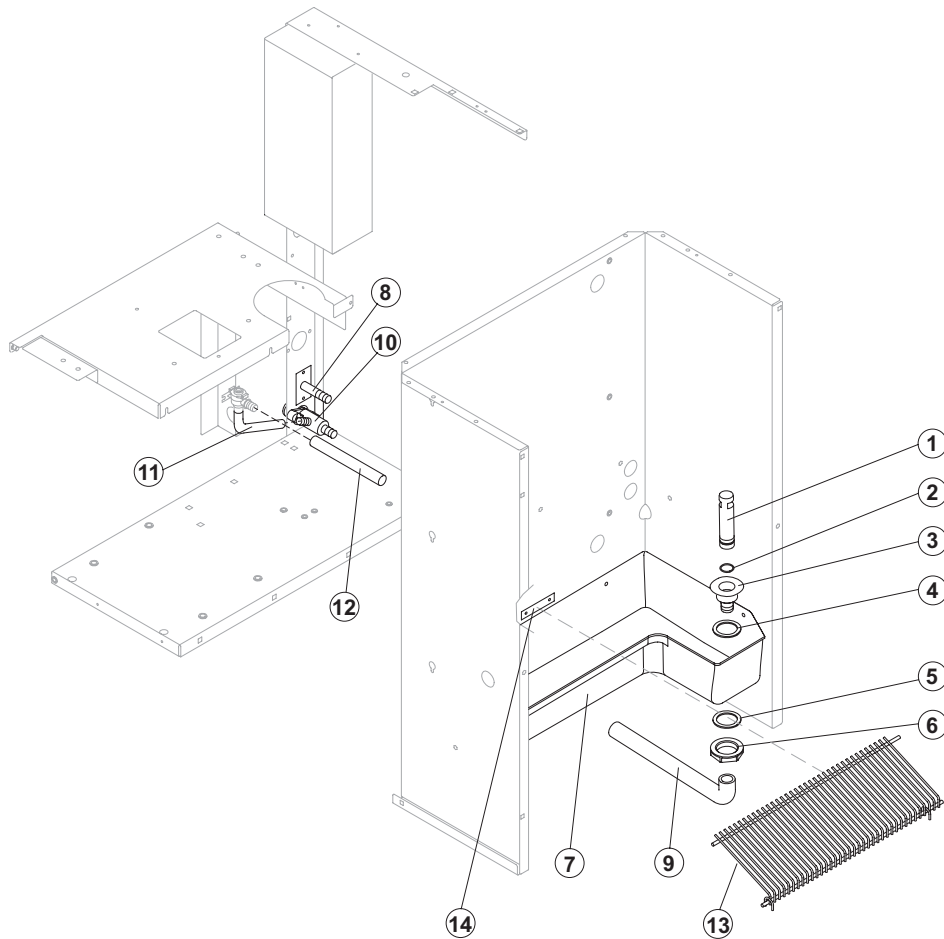
Voltage	Code
T11	23878
T12	23874
T13	23586

Ref. 12* - Hot Gas Valve Coil

Voltage	Code
T11	231294
T12	231294
T13	23256

Rev. 14 - 29/05/2018



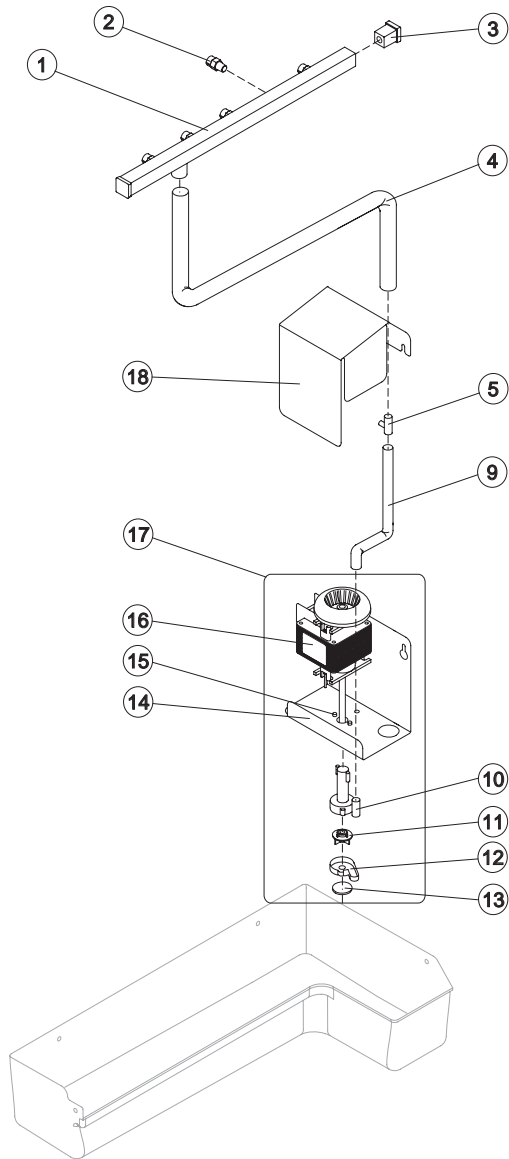


Common Parts

Ref.	Spare Description	Code
1*	Overflow Pipe	10133
2*	OR Gasket for Overflow Pipe	20233
3	Overflow Pipe Nipple	10471
4	Silicone Gasket	13006
5	Semirigid Polyethylene Gasket	13007
6	Bin Discharge Nut	10096
7	Water Basin	10355
9	Overflow Pipe Nipple	13120
10	Drain Nipple	10431
11	Discharge Valve Connection Pipe - Discharge	13040
12	Discharge Valve Connection Pipe ("T" Shaped)	13102
13	Ice Cubes Slide	D12082
14	Slide Keep Plate	10142

Parts for Water-Cooled Version Only

Ref.	Spare Description	Code
8	Connection with Plate	C20462



Ref.	Spare Description	Code
1*	Sprayers Bar assembly	C20653
2	Sprayer	D20002
3	Sprayers Bar Plug	10012
4	Sprinkler Bar Connection Pipe ("T" Shaped)	13134
5	Plastic "T" ø 20	10082
9	"T" - Pump Connection Pipe	13113
10	Pump Body	10065
11	Pump Impeller	10138
12	Diffusor	10067
13	Pump Filter	20518
14	Pump Motor Support	22799
15	Pump Motor Shim	20510
16	Pump	See Table
17*	Pump Assembly	See Table
18	Protection Pump Panel	22804

Ref. 16 - Pump

Voltage	Code
T11	23073
T12	23187
T13	23188

Ref. 17* - Pump Assembly

Voltage	Code
T11	C23607
T12	C23616
T13	C23617



VM 350

ELECTRIC PARTS

Common Parts

Ref.	Spare Description	Code
1*	Timer	See Table
2	"Cleaning" Switch	23619
3*	Green Light Switch (On-Off)	23327
4*	Bin Thermostat	R23005
5*	Evaporator Thermostat	R23591
6*	Contactor	See Table
9*	1 Way- Water Inlet Valve	See Table
10*	Water Outlet Valve	See Table
11*	Condenser Pressure Switch	23175
12	Safety Pressure Switch	23342

Parts for Air-Cooled Version Only

Ref.	Spare Description	Code
7	Anti Radio Interference Filter	Only T11 C23459
13*	Fan Motor	See Table

Componenti Solo Versione Acqua

Ref.	Spare Description	Code
7	Anti Radio Interference Filter	Only T11 C23457
8*	1 Way- Water Inlet Valve	See Table

Ref. 1* - Timer

Voltage	Code
T11	23635
T12	23632
T13	23636

Ref. 6* - Contactor

Voltage	Code
T11	23594
T12	23594
T13	231088

Ref. 8* - 1 Way- Water Inlet Valve

Voltage	Code
T11	23220
T12	23220
T13	23631

Ref. 9* - 1 Way- Water Inlet Valve

Voltage	Code
T11	23787
T12	23787
T13	23281

Ref. 10* - Outlet

Voltage	Code
T11	23537
T12	23537
T13	23637

Ref. 13* - Fan

Voltage	Code
T11	23121
T12	23121
T13	23621

Rev. 14 - 29/05/2018

