

Code No.	Description
1F 531880020	Outer Side Panel — R.H.
6B 531880030	Tie Plate
4F 531880050	Flue Assy.
11E 531880070	Guard Rail
5B 531880080	Guard Rail Bracket — L.H.
5B 531880090	Guard Rail Bracket — R.H.
12B 531880250	Leg Cover
9C 531880260	Adjustable Foot
1F 531880810	Top Front Panel
11E 531880820	Outer Side Panel — L.H.
8N 531880830	Water Pan
12E 531880840	Corner Post — R.H.
2G 531880850	Control Panel
11C 531880860	Shelf Hanger
12E 531880870	Shelf
1F 531880880	Corner Post — L.H.
2G 531880890	Pan Insert

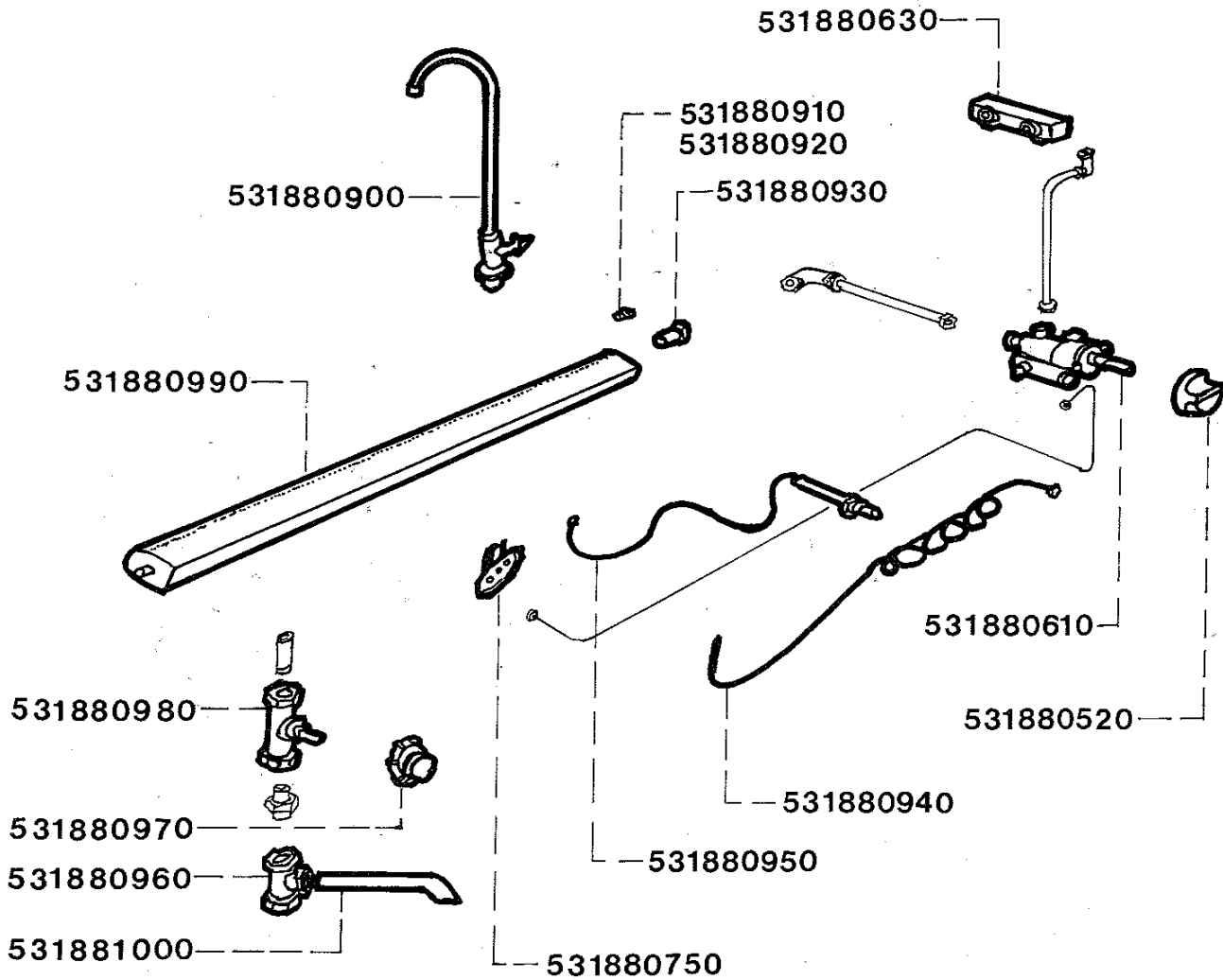
Sheet Reference Number

G1036IL/1185/001

**Falcon Catering  
Equipment**  
Commercial and institutional  
catering equipment



Falcon Catering Equipment is a  
business name of  
Glynwed Consumer & Building Products Ltd  
a member of the  
Glynwed International plc  
group of companies



Code	No.	Description
6B	531880520	Gas Control Knob
5E	531880610	Gas Control
*	531880630	Manifold
7D	531880750	Target Pilot Burner
5K	531880900	Swivel Tap
1B	531880910	Injector — Nat. Gas
1B	531880920	Injector — L.P. Gas
1B	531880930	Injector Holder
5D	531880940	Thermocouple
1D	531880950	Igniter
1H	531880960	Banjo
6B	531880970	Drain Cock Knob
9E	531880980	Drain Cock
7F	531880990	Burner
9C	531881000	Drain Pipe

Sheet Reference Number

G1036L/1185/002

