

532004100

537027400

544407200

3

541104601

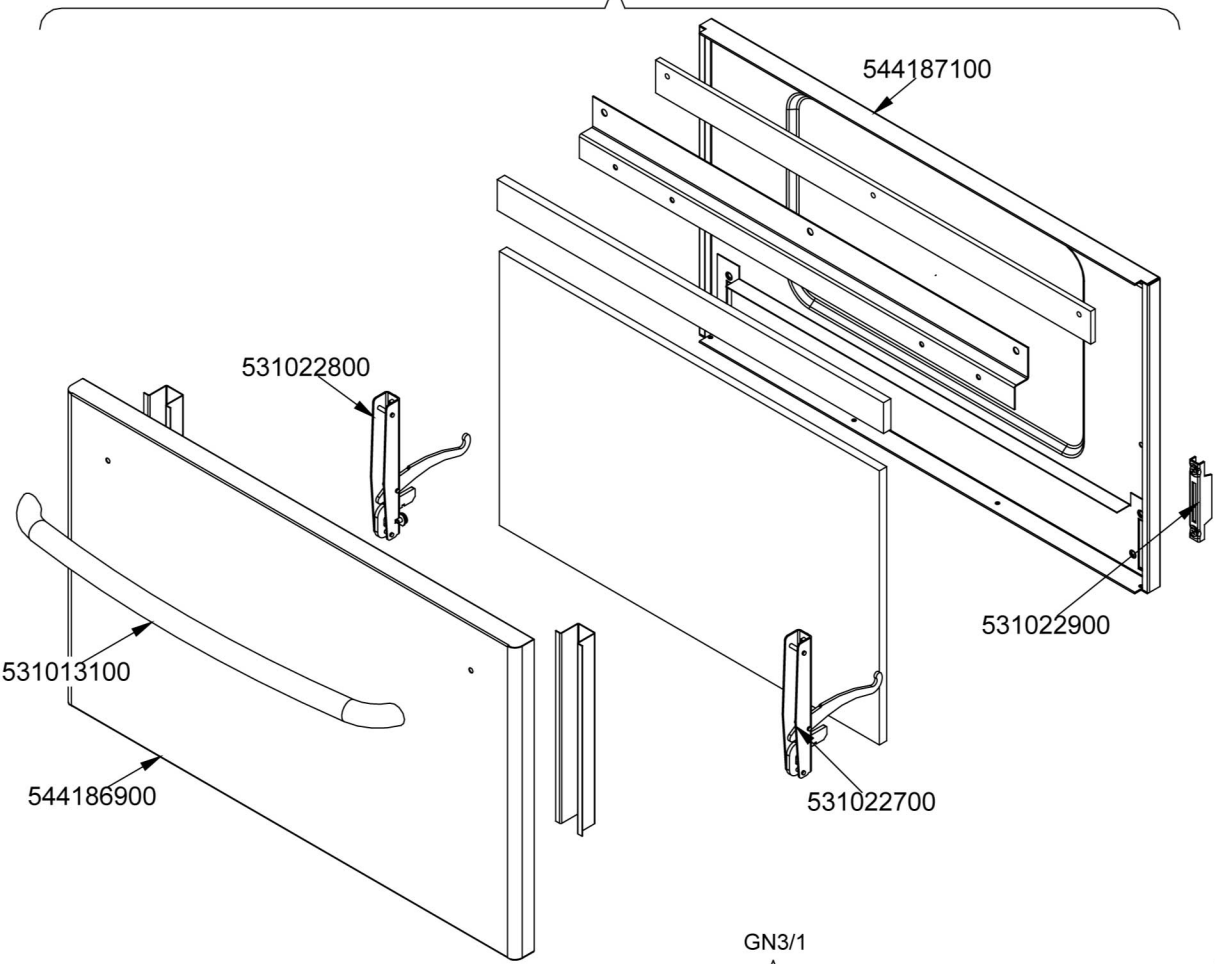
1

2

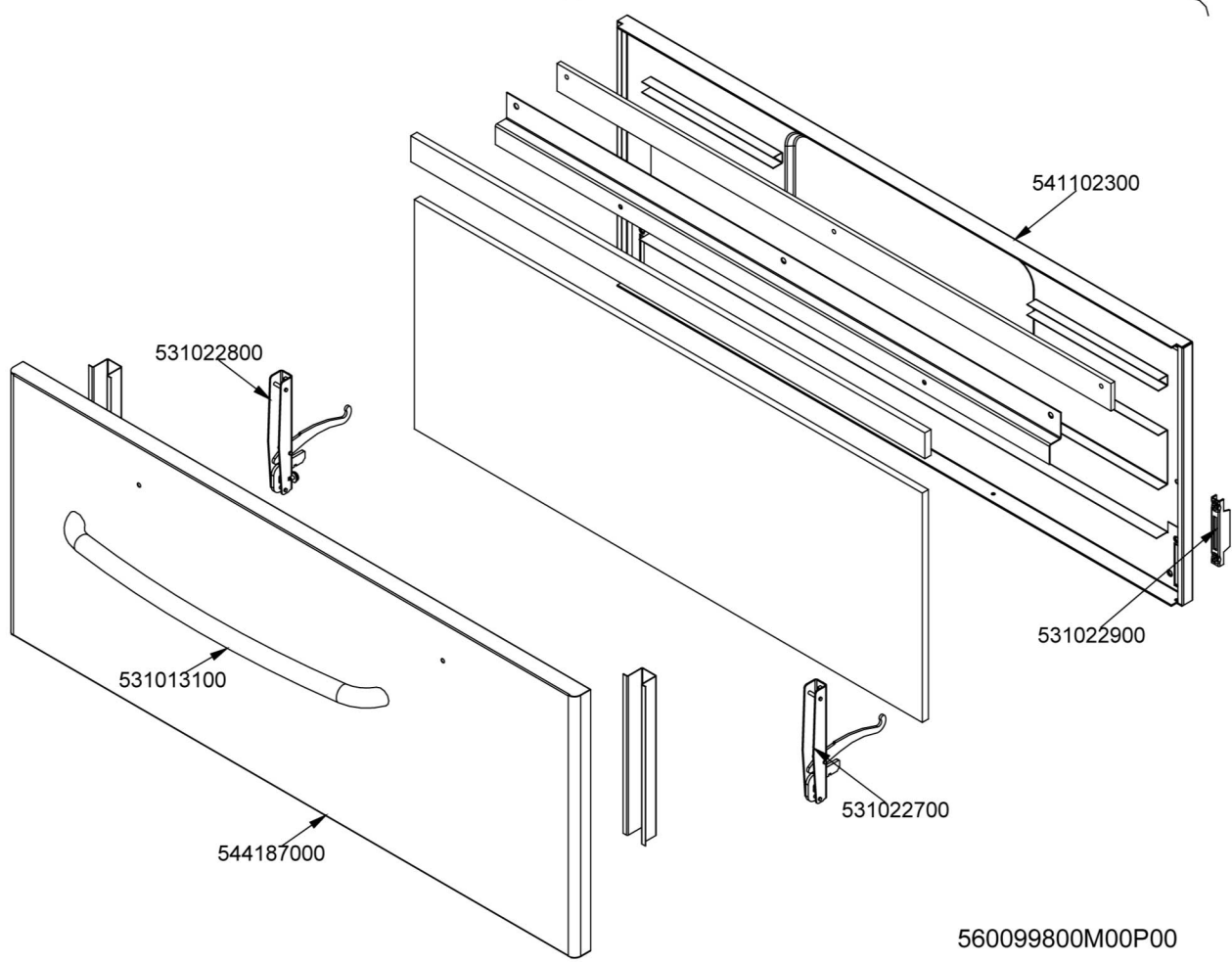
544407100

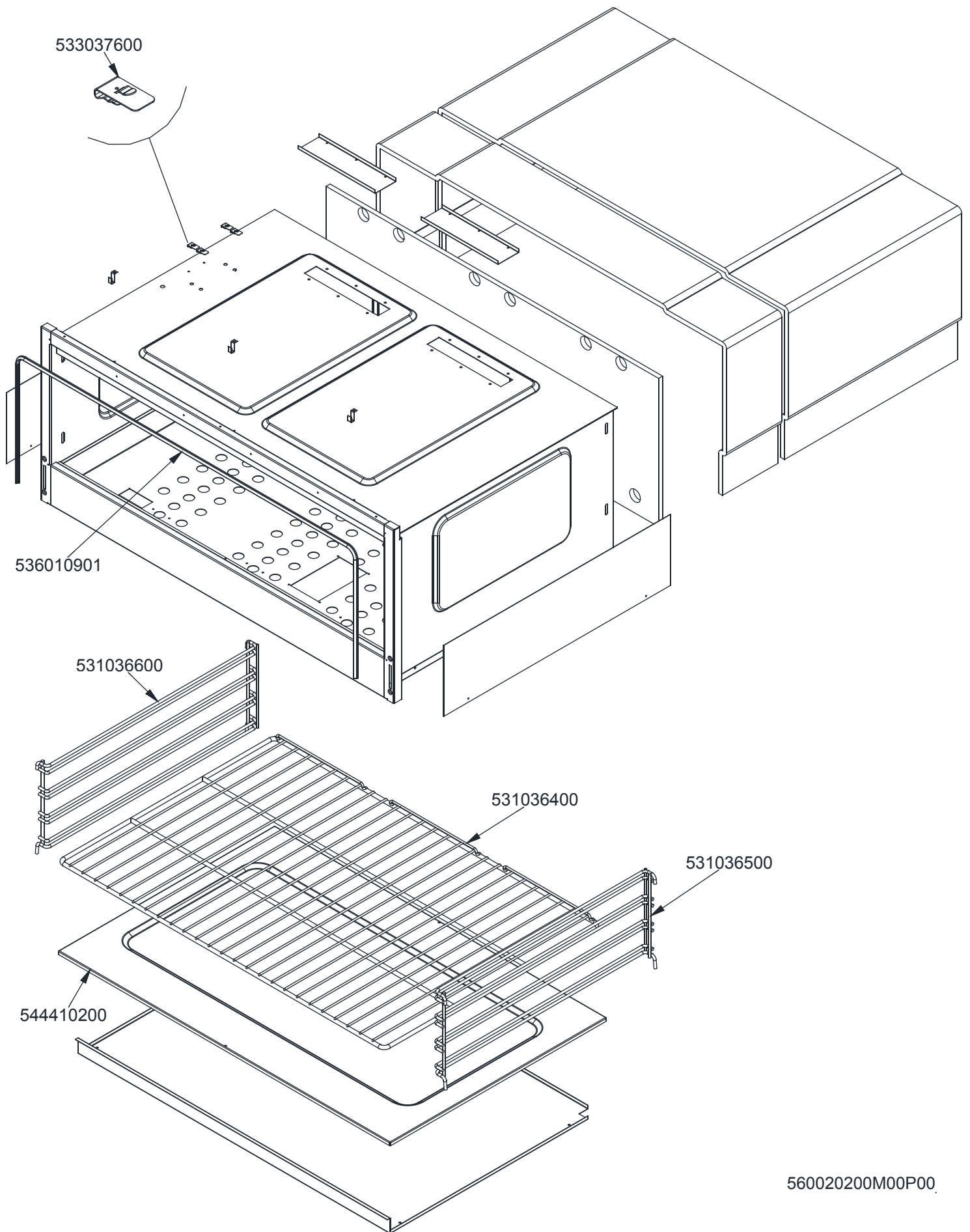
536005200

GN2/1

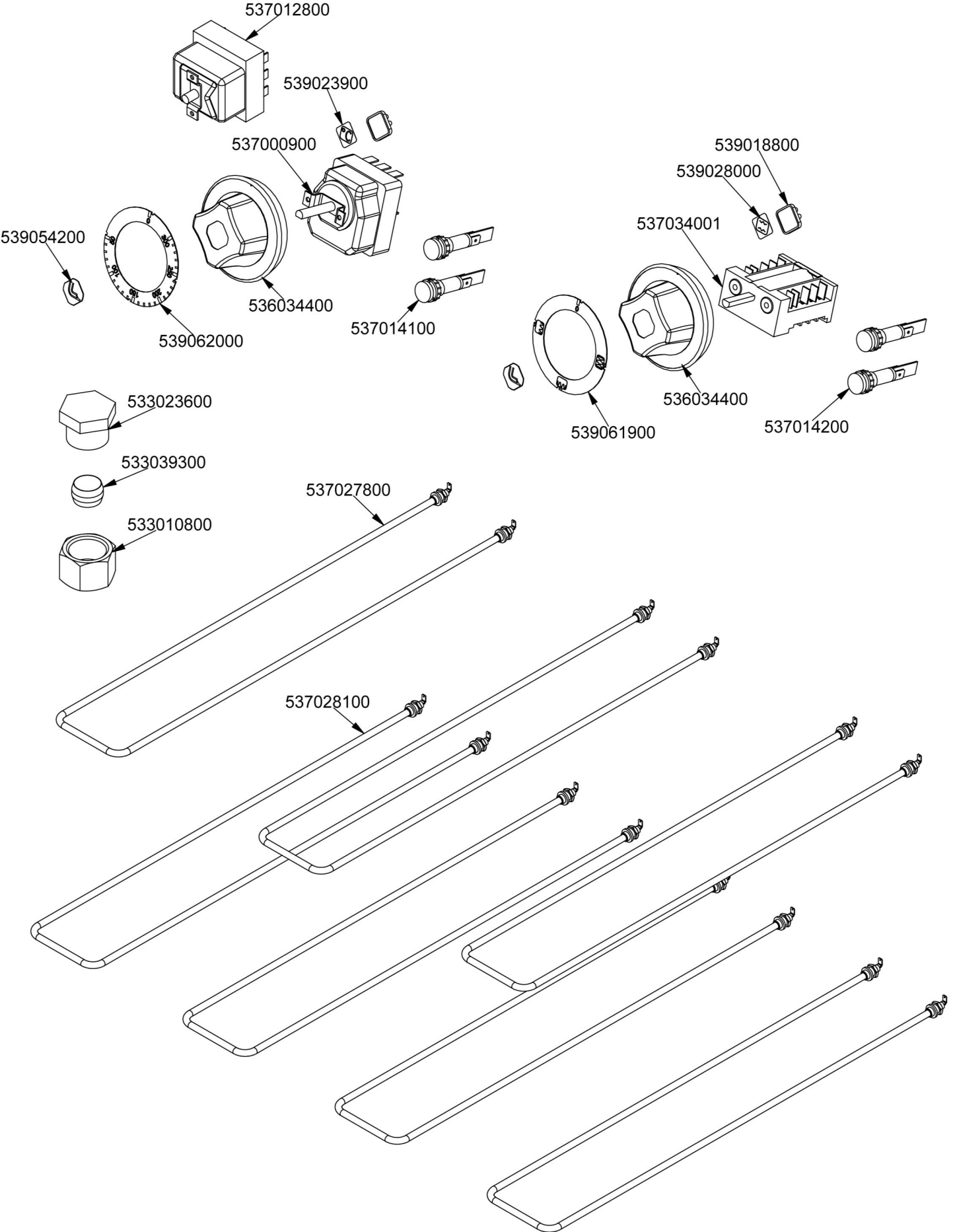


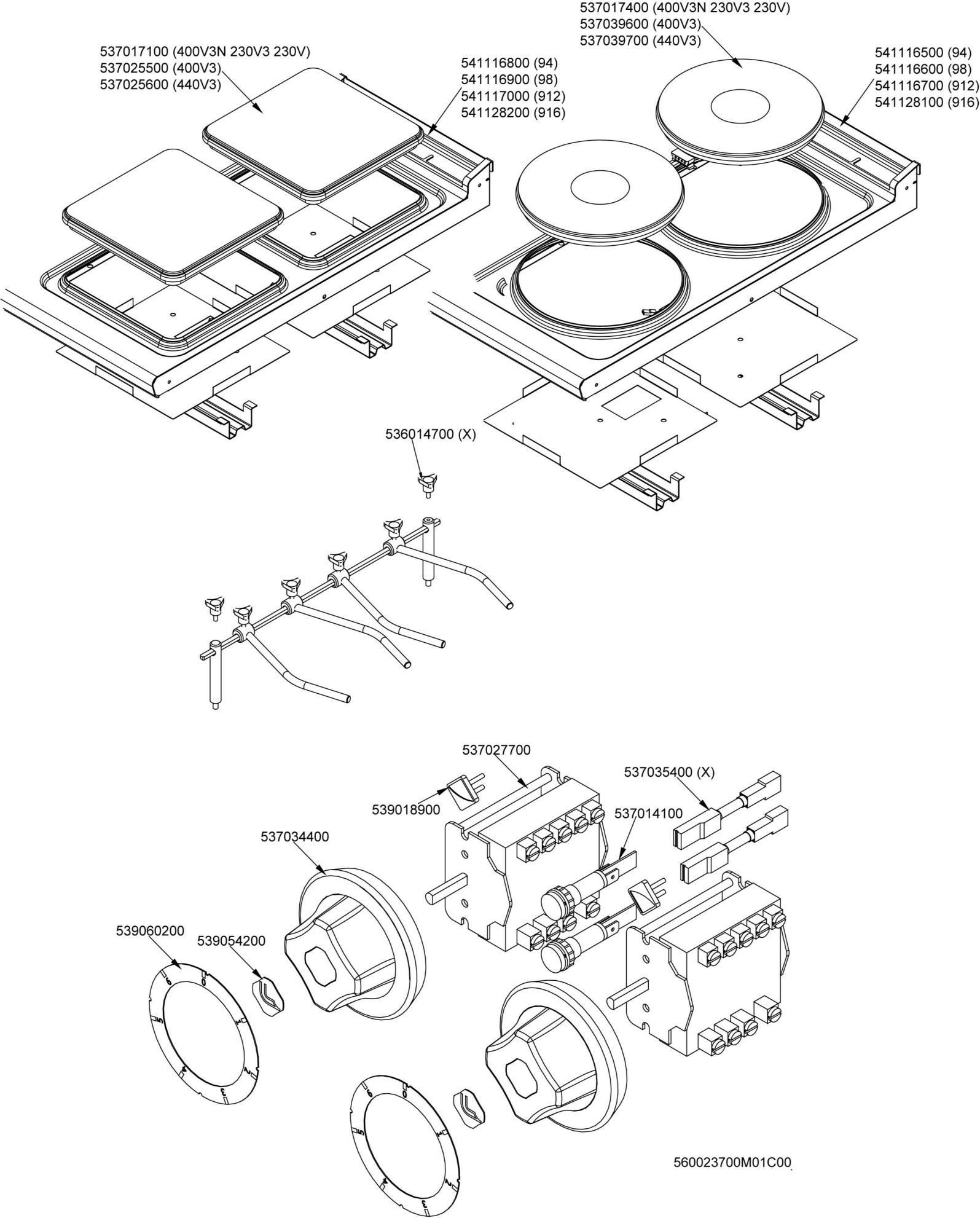
GN3/1





560020200M00P00





Page	Pos	Code	Description
001		532004100	FLUE GRID L=370 90LINE (RAF
001		537027400	TERMINAL BLOCK THREEPHASE 40A
001		544407200	RIGHT SIDE PANEL RANGE 70 LINE
001		541104601	CONTROL PANEL CF6-712E CF6-712EV
001		544407100	RIGHT SIDE PANEL RANGE 90 LINE
001		536005200	INOX LEG 2" 120-180 M10
002		544187100	OVEN INNER DOOR GN 2/1 70/90LINE
002		531022800	LEFT OVEN DOOR HINGE S.70
002		531013100	OVEN DOOR HANDLE OF 70/90-LINE
002		544186900	OVEN DOOR GN 2/1 70/90LINES
002		531022700	RIGHT OVEN DOOR HINGE 70LINE
002		531022900	HINGE DOOR WHEEL HOLDER S.70
002		541102300	GAS OVEN INNER DOOR GN 3/1 S.70
002		544187000	OVEN DOOR GN 3/1 S.70
003		533037600	LOCK SPRING FOR BULB
003		536010901	GAS OVEN GASKET GN 3/1 (1668
003		531036600	LHD RACK HOLDER FOR OVEN S.90
003		531036400	OVEN GRID GN 3/1 FOR 90 LINE
003		531036500	RHD RACK HOLDER FOR OVEN S.90
003		544410200	90 ELECTRICAL OVEN BOTTOM GN3/1
004		537012800	SAFETY THERMOSTAT 420°C THREEPHASE
004		539023900	SIGN PLATE FOR OVEN TEMPERATURE
004		537000900	THERMOSTAT 063-320°C THREEPHASE
004		539054200	STAMP O20,5 CR."L" LOTUS R.
004		537034001	COMMUTATOR 4 POS.3PHASE S.42 16A
004		539028000	SELECTOR SIGN PLATE FOR OVEN
004		539018800	BLANK INDEX FOR KNOB
004		537014200	GREEN WARNING LIGHT 250V
004		536034400	KNOB §77 4P. §06*4,6 C/M
004		539061900	ADESIVE DISK FOR SWITCH OVEN S70
004		537014100	WHITE WARNING LIGHT 250V
004		539062000	ADESIVE DISK THERMOSTAT OVEN S70
004		533023600	TAP PLUG §10 M16*1, 5CH19
004		533039300	BICONE §10
004		533010800	TUBE NUT D.10 M16*1,5
004		537027800	OVENUPPER HEATING EL. W800 V230 90L
004		537028100	OVEN LOWER HEATING EL.W700 V230 90L
005		541116500	UPPER PLATE PC-94E
005		541116600	UPPER PLATE PC-98E CF4-98ET
005		541116700	UPPER PLATE PC-912ET CF6-912ET/ETV
005		541128100	UPPER PLATE PC-916ET
005		537017400	ELECTRICAL PLATE D.300 W3500 V230
005		537039600	ELECTRICAL PLATE D.300 W3500 V400
005		537039700	ELECTRICAL PLATE D.300 W3500 V440
005		541116800	UPPER PLATE PCQ-94E
005		541116900	UPPER PLATE PCQ-98E CFQ4-98ET
005		541117000	UPPER PLATE PCQ-912E CFQ6-912ET/ETV
005		541128200	UPPER PLATE PCQ-916ET
005		537017100	PLATE 300X300 W4000 V230
005		537025500	PLATE 300X300 W4000 V400
005		537025600	PLATE 300X300 W4000 V440

Page	Pos	Code	Description
005		536014700	3 DRILL WHEELS
005		537035400	HEATING ELEMENT 00003W 330KOHM W/F
005		537014100	WHITE WARNING LIGHT 250V
005		537027700	COMMUTATOR 7 POSITIONS S.43 32A
005		539018900	INDEX FOR KNOB W/RED SIGN
005		537034400	HEATING EL. 470X270 9500W230V
005		539054200	STAMP Ø20,5 CR."L" LOTUS R.
005		539060200	RED ADESIVE DISK FOR PC-E