

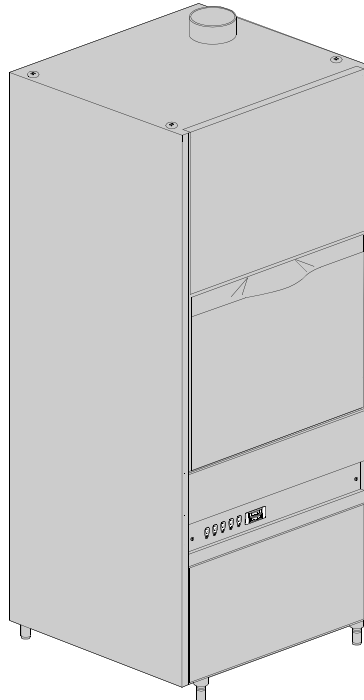
WAREWASHER

ELECTROMECHANICAL SWITCHES
DOUBLE BODY VERSION
LOWER AND UPPER VERSION

TYPE: 70U

Accessories
BOOSTER PUMP
DVGW
DETERGENT DISPENSER
DRAIN PUMP

Spare Parts Manual



1. Spare parts

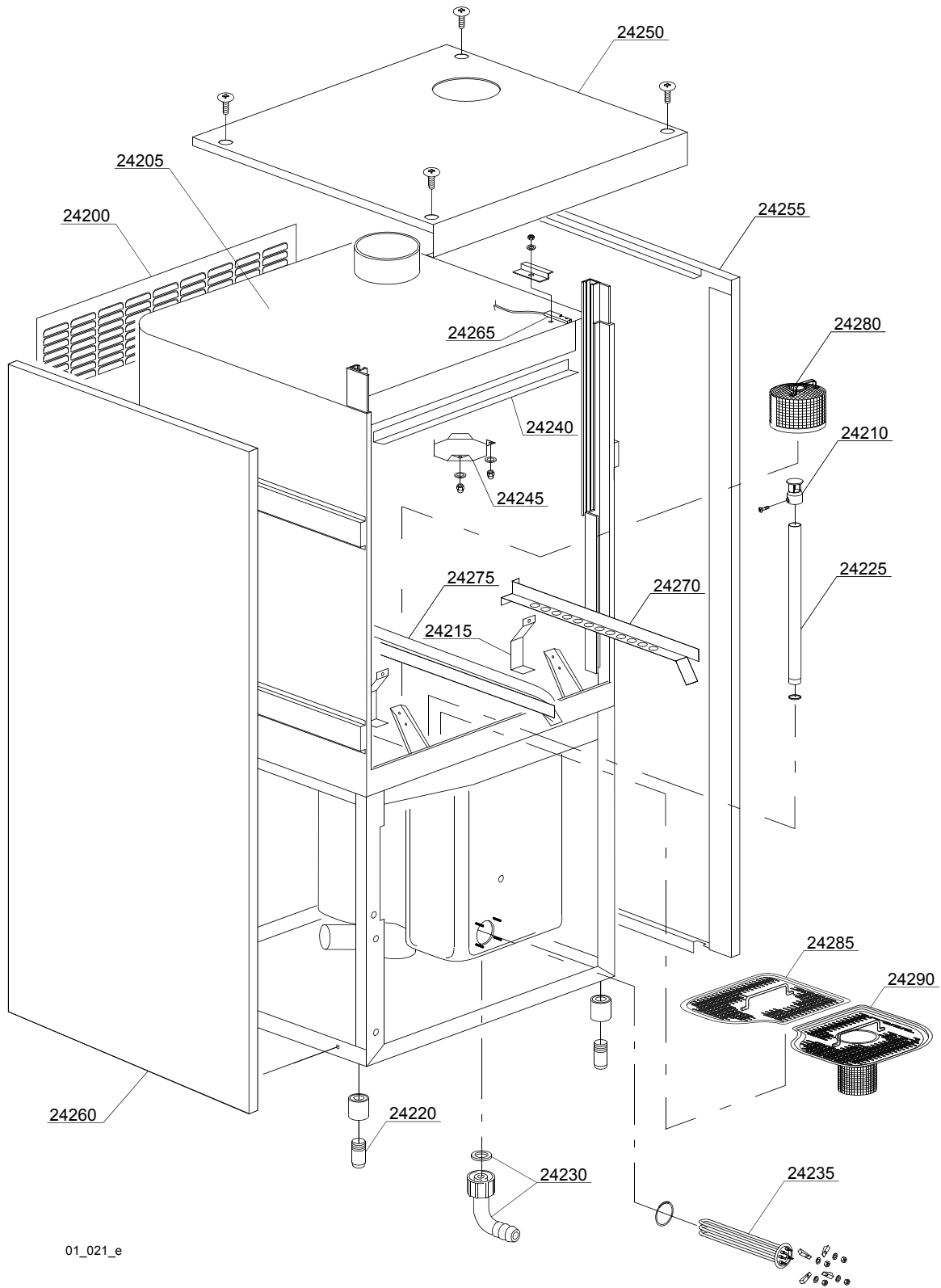
| | |
|------------------------------------------------|-----------|
| General body parts..... | 7 |
| Lockup system | 9 |
| Control panel and switches..... | 11 |
| Electric control components..... | 13 |
| Solenoid valve group | 15 |
| Booster pump..... | 17 |
| DVGW | 19 |
| Rinse aid dispenser group..... | 21 |
| Boiler group | 23 |
| 3 ways connection | 25 |
| Wash pump | 27 |
| Dosing detergent group..... | 29 |
| Dosing detergent group..... | 31 |
| Drain pump group..... | 33 |
| Pressure switch group with air trap ... | 35 |
| Turret group with rotating arms | 37 |

1.1 Voltage codes

| Volt | Voltage code |
|------|-------------------------|
| A | 3/N/PE~380-400V 50-60Hz |
| D | 3/PE~200-210V 50-60Hz |
| F | 2/PE~220-240V 50-60Hz |
| G | 3/N/PE~415V 50-60Hz |
| H | 3/PE~220-230V 50-60Hz |
| K | 3/PE~380-400V 50-60Hz |
| L | 3/PE~415V 50-60Hz |
| M | 3/PE~440V 60Hz |
| P | 1/N/PE~220-230V 50-60Hz |
| R | 2/PE~220-240V 50-60Hz |
| U | 1/N/PE~240V 50-60Hz |
| V | 3/PE~240V 50-60Hz |
| W | 1/N/PE~100-110V 50-60Hz |

1.2 Product codes

| Product code | Full name |
|-----------------|----------------------------|
| Model codes | |
| em | ELECTROMECHANICAL SWITCHES |
| dc | DOUBLE BODY VERSION |
| uw | LOWER AND UPPER VERSION |
| Type codes | |
| 70U | 70U |
| Accessory codes | |
| bp | BOOSTER PUMP |
| dvgw | DVGW |
| dd | DETERGENT DISPENSER |
| dp | DRAIN PUMP |



01_021_e

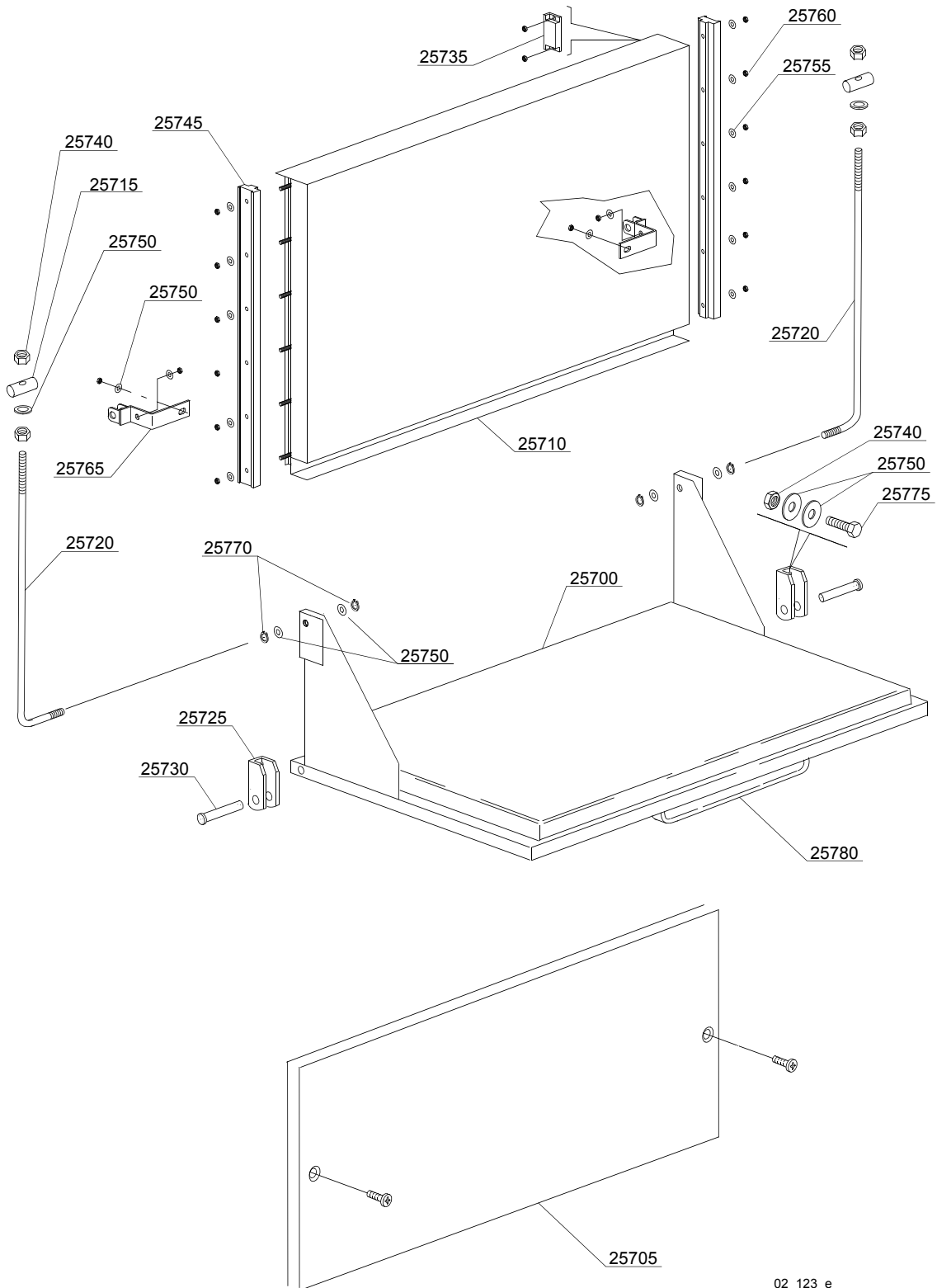
Spare parts

| ID | P-code | SN from | SN to | Mod. | Acces. | Volt | Description |
|----------------------------------|----------|---------|-------|------|--------|-----------------|--------------------------------------|
| Module:General body parts | | | | | | | |
| 24200 | 90955 | | - | | | | Back panel |
| 24205 | 90950 | | - | | | | Body |
| 24210 | 11600019 | | - | | | | Terminal overflow pipe |
| 24215 | 22254 | | - | | | | Right/left splash guard |
| 24220 | 15116 | | - | | | | Foot |
| 24225 | 90013 | | - | | | | Overflow pipe |
| 24230 | 15613 | | - | | | | Elbow 1¼" |
| 24235 | 15046 | | - | | | A,H,K,L,P,R,U,V | heating element 3/3,27KW 230/240V 3 |
| 24235 | 15089 | | - | | | A,H,K,L,P,R,U,V | heating element 4,5/4,9KW 230/240V 3 |
| 24240 | 90914 | | - | | | | Upper splash guard |
| 24245 | 22232 | | - | | | | Chimney splash guard |
| 24250 | 90907 | | - | | | | Tank |
| 24255 | 90953 | | - | | | | Right lower panel |
| 24260 | 90954 | | - | | | | Left lower panel |
| 24265 | 3003112 | | - | | | | Door micro reed |
| 24270 | 90910 | | - | | | | Right internal slide |
| 24275 | 90911 | | - | | | | Left internal slide |
| 24280 | 90014 | | - | | | | Suction filter |
| 24285 | 90913 | | - | | | | Surface filter |
| 24290 | 90912 | | - | | | | Front surface filter |

em=ELECTROMECHANICAL SWITCHES, dc=DOUBLE BODY VERSION, uw=LOWER AND UPPER VERSION
70U=70U

bp=BOOSTER PUMP, dvgw=DVGW, dd=DETERGENT DISPENCER, dp=DRAIN PUMP

A=3/N/PE~380-400V 50-60Hz, D=3/PE~200-210V 50-60Hz, F=2/PE~220-240V 50-60Hz, G=3/N/PE~415V 50-60Hz,
H=3/PE~220-230V 50-60Hz, K=3/PE~380-400V 50-60Hz, L=3/PE~415V 50-60Hz, M=3/PE~440V 60Hz, P=1/N/PE~220-
230V 50-60Hz, R=2/PE~220-240V 50-60Hz, U=1/N/PE~240V 50-60Hz, V=3/PE~240V 50-60Hz, W=1/N/PE~100-110V
50-60Hz



Spare parts

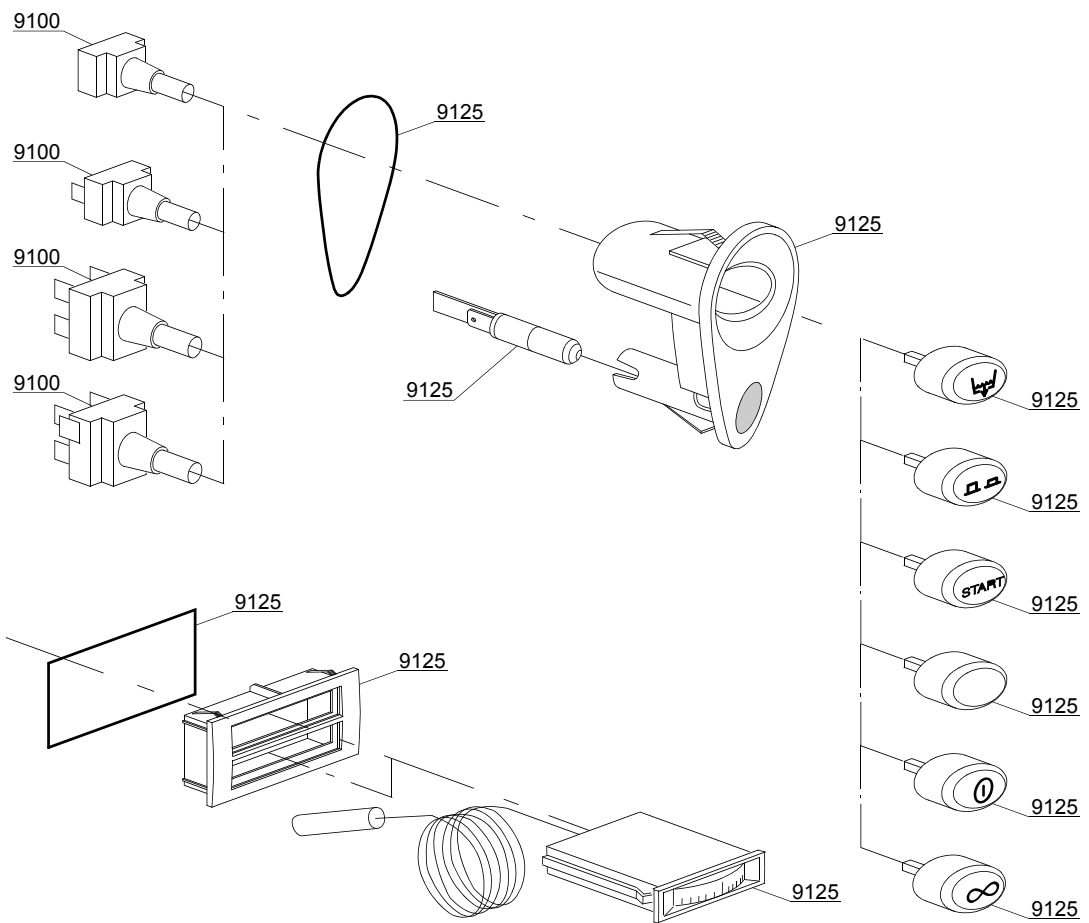
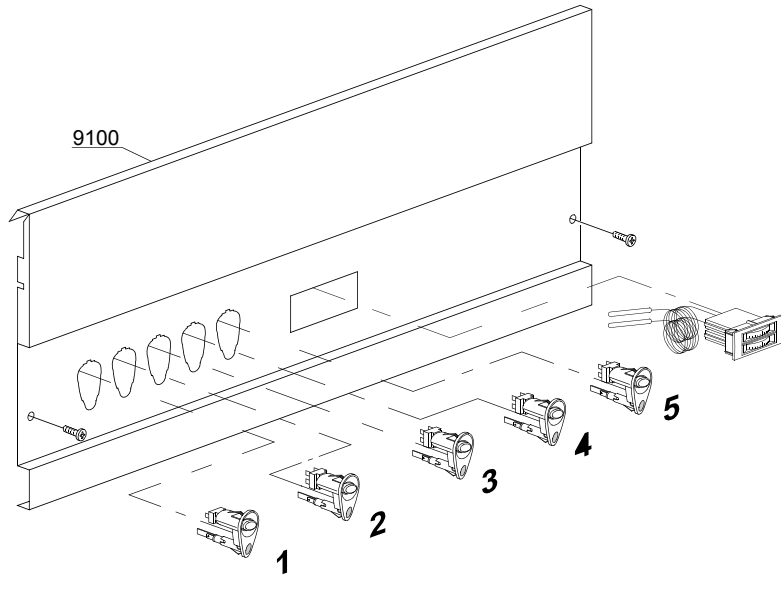
| ID | P-code | SN from | SN to | Mod. | Acces. | Volt | Description |
|------------------------------|---------|---------|-------|------|--------|------|-------------------------------------------------|
| Module: Lockup system | | | | | | | |
| 25700 | 90952 | | - | | | | Door with steel handle |
| 25705 | 90909 | | - | | | | Lower door |
| 25710 | 90951 | | - | | | | Upper door |
| 25715 | 22219 | | - | | | | Pin |
| 25720 | 23220 | | - | | | | Door rod |
| 25725 | 22206/B | | - | | | | Door hinge |
| 25730 | 22220/A | | - | | | | Pin for door |
| 25735 | 80232 | | - | | | | Reed magnet |
| 25740 | 11721 | | - | | | | Nut (minmum 10 pieces) |
| 25745 | 90025 | | - | | | | Slide for door |
| 25750 | 11177 | | - | | | | Plain washer (minimum 10 pieces) |
| 25755 | 11176 | | - | | | | Plain washer (minimum 20 pieces) |
| 25760 | 11169 | | - | | | | Nut (minmum 10 pieces) |
| 25765 | 90916 | | - | | | | Door movement support |
| 25770 | 11815 | | - | | | | Ø8 stainless steel snap ring (minimum 5 pieces) |
| 25775 | 11104/B | | - | | | | M6x16 stainless steel screw (minimum 5 pieces) |
| 25780 | 22215 | | - | | | | Stainless steel handle |

em=ELECTROMECHANICAL SWITCHES, dc=DOUBLE BODY VERSION, uw=LOWER AND UPPER VERSION
70U=70U

bp=BOOSTER PUMP, dvgw=DVGW, dd=DETERGENT DISPENCER, dp=DRAIN PUMP

A=3/N/PE~380-400V 50-60Hz, D=3/PE~200-210V 50-60Hz, F=2/PE~220-240V 50-60Hz, G=3/N/PE~415V 50-60Hz,
H=3/PE~220-230V 50-60Hz, K=3/PE~380-400V 50-60Hz, L=3/PE~415V 50-60Hz, M=3/PE~440V 60Hz, P=1/N/PE~220-
230V 50-60Hz, R=2/PE~220-240V 50-60Hz, U=1/N/PE~240V 50-60Hz, V=3/PE~240V 50-60Hz, W=1/N/PE~100-110V
50-60Hz

03_026_e



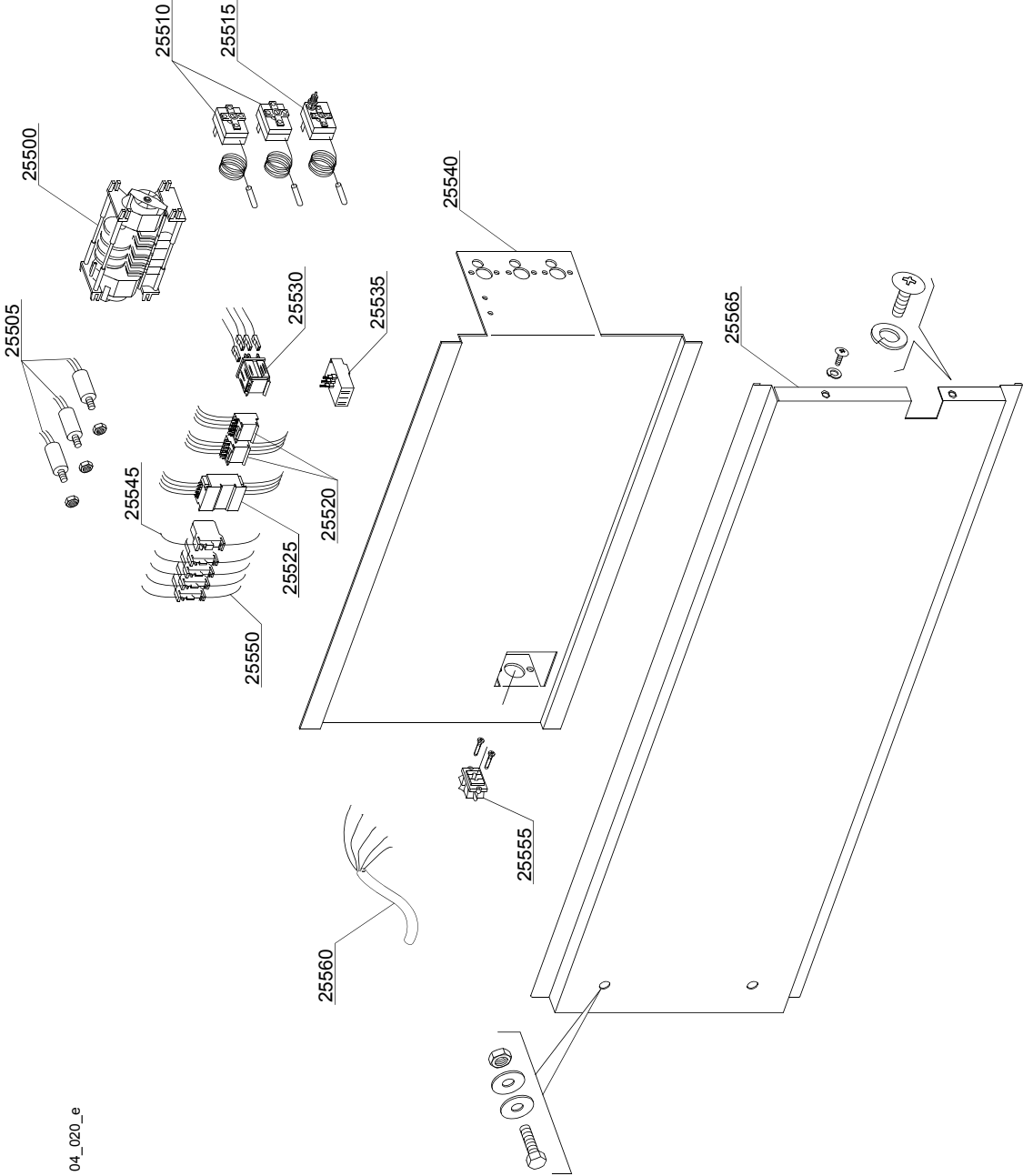
Spare parts

| ID | P-code | SN from | SN to | Mod. | Acces. | Volt | Description |
|------------------------------------------|----------|---------|-------|------|--------|------|----------------------------------|
| Module:Control panel and switches | | | | | | | |
| 25000 | 90903 | | - | em | | | Control panel |
| 25005 | 89343 | | - | em | dp | | Drain pump push button |
| 25005 | 89342 | | - | em | | | Time selector switch push button |
| 25005 | 89341 | | - | em | | | Start push button |
| 25005 | 89348 | | - | em | | | Blind push button |
| 25005 | 89340 | | - | em | | | ON-OFF push button |
| 25010 | 89300 | | - | em | | | Push button support |
| 25015 | 15826 | | - | em | | | Lamp, transparent |
| 25020 | 15844 | | - | em | | | Push button support |
| 25025 | 15813 | | - | em | | | 16A unipolar push button |
| 25030 | 15812 | | - | em | | | 16A switch |
| 25030 | 15800 | | - | em | | | 16A bipolar switch |
| 25035 | 15811 | | - | em | | | 16A bipolar switch |
| 25035 | 15811/A | | - | em | | | 16A bipolar switch |
| 25040 | 10500011 | | - | em | | | Thermometer |
| 25045 | 89306 | | - | em | | | Double thermometer support |
| 25050 | 89332 | | - | em | | | OR O-ring (minimum 10 pieces) |
| 25055 | 89331 | | - | em | | | OR O-ring (minimum 5 pieces) |

em=ELECTROMECHANICAL SWITCHES, dc=DOUBLE BODY VERSION, uw=LOWER AND UPPER VERSION
70U=70U

bp=BOOSTER PUMP, dvgw=DVGW, dd=DETERGENT DISPENCER, dp=DRAIN PUMP

A=3/N/PE~380-400V 50-60Hz, D=3/PE~200-210V 50-60Hz, F=2/PE~220-240V 50-60Hz, G=3/N/PE~415V 50-60Hz,
H=3/PE~220-230V 50-60Hz, K=3/PE~380-400V 50-60Hz, L=3/PE~415V 50-60Hz, M=3/PE~440V 60Hz, P=1/N/PE~220-
230V 50-60Hz, R=2/PE~220-240V 50-60Hz, U=1/N/PE~240V 50-60Hz, V=3/PE~240V 50-60Hz, W=1/N/PE~100-110V
50-60Hz



04_020_e

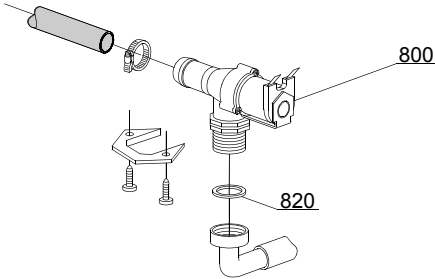
Spare parts

| ID | P-code | SN from | SN to | Mod. | Acces. | Volt | Description |
|--------------------------------------------|----------|---------|-------|------|--------|-----------------|--------------------------------|
| Module: Electric control components | | | | | | | |
| 25500 | 22011 | | - | | | A,H,K,P | 120/240" timer with thermostop |
| 25500 | 22011/C | | - | | | A,H,K,P | 120/250" timer with thermostop |
| 25505 | 15149 | | - | | | A,H,K,P | Filter F3 |
| 25510 | 10707/1 | | - | | | A,H,K,P | 0-90°C thermostat |
| 25515 | 2000430 | | - | | | A,H,K,P | Thermostat |
| 25520 | 15086 | | - | | | A,H,K,P | Contactactor 230V 50/60Hz |
| 25520 | 15086/B | | - | | | F,G,L,R,U,V | Contactactor 240V 50/60Hz |
| 25525 | 10300050 | | - | | | A,H,K,P | Contactactor 25A/12A 4NA 230V |
| 25530 | 560301 | | - | | | A,H,K,P | Relay 230V 50/60Hz |
| 25535 | 88112 | | - | | | A,H,K,P | 4,5-7,5A RF9 temperature relay |
| 25535 | 88113 | | - | | | A,H,K,P | 6-10A temperature relay - RF9 |
| 25540 | 11600619 | | - | | | | Electric component panel |
| 25545 | 10300401 | | - | | | | Clamp |
| 25550 | 10300403 | | - | | | | Clamp |
| 25555 | 15065/A | | - | | | | Cable sheath |
| 25560 | 80200 | | - | | | A,G | Power supply cable 5x4x3400 |
| 25560 | 75359 | | - | | | D,F,H,K,L,M,R,V | 4x6 flame-retardant cable |
| 25565 | 90918 | | - | | | | Upper electric component panel |

em=ELECTROMECHANICAL SWITCHES, dc=DOUBLE BODY VERSION, uw=LOWER AND UPPER VERSION
70U=70U

bp=BOOSTER PUMP, dvgw=DVGW, dd=DETERGENT DISPENCER, dp=DRAIN PUMP

A=3/N/PE~380-400V 50-60Hz, D=3/PE~200-210V 50-60Hz, F=2/PE~220-240V 50-60Hz, G=3/N/PE~415V 50-60Hz,
H=3/PE~220-230V 50-60Hz, K=3/PE~380-400V 50-60Hz, L=3/PE~415V 50-60Hz, M=3/PE~440V 60Hz, P=1/N/PE~220-
230V 50-60Hz, R=2/PE~220-240V 50-60Hz, U=1/N/PE~240V 50-60Hz, V=3/PE~240V 50-60Hz, W=1/N/PE~100-110V
50-60Hz



05_005_e

Spare parts

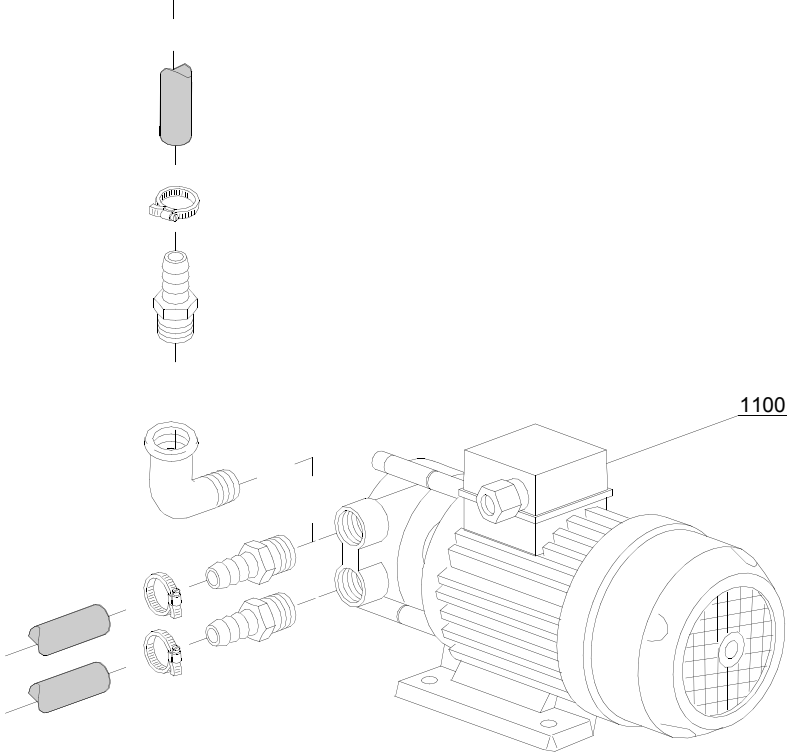
| ID | P-code | SN from | SN to | Mod. | Acces. | Volt | Description |
|------------------------------------|----------|---------|-------|------|--------|------|-------------------------|
| Module:Solenoid valve group | | | | | | | |
| 800 | 30001000 | | - | | | | Solenoid valve |
| 820 | N.C. | | - | | | | Pression reducing valve |

em=ELECTROMECHANICAL SWITCHES, dc=DOUBLE BODY VERSION, uw=LOWER AND UPPER VERSION
70U=70U

bp=BOOSTER PUMP, dvgw=DVGW, dd=DETERGENT DISPENCER, dp=DRAIN PUMP

A=3/N/PE~380-400V 50-60Hz, D=3/PE~200-210V 50-60Hz, F=2/PE~220-240V 50-60Hz, G=3/N/PE~415V 50-60Hz,
H=3/PE~220-230V 50-60Hz, K=3/PE~380-400V 50-60Hz, L=3/PE~415V 50-60Hz, M=3/PE~440V 60Hz, P=1/N/PE~220-
230V 50-60Hz, R=2/PE~220-240V 50-60Hz, U=1/N/PE~240V 50-60Hz, V=3/PE~240V 50-60Hz, W=1/N/PE~100-110V
50-60Hz

07_002_e



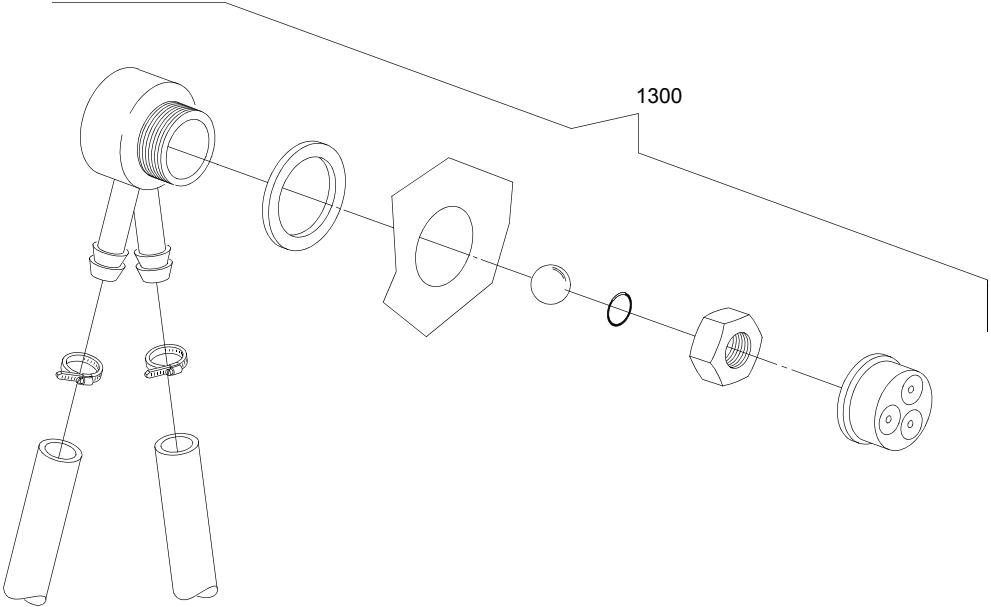
Spare parts

| ID | P-code | SN from | SN to | Mod. | Acces. | Volt | Description |
|----------------------------|--------|---------|-------|------|--------|---------------------------------|------------------------------------------|
| Module:Booster pump | | | | | | | |
| 1100 | 15100 | | - | | bp | A,F,G ,H,K, L,P,R, U,V | Booster pump 0,5HP/0,375kW 50Hz 220-240V |

em=ELECTROMECHANICAL SWITCHES, dc=DOUBLE BODY VERSION, uw=LOWER AND UPPER VERSION
70U=70U

bp=BOOSTER PUMP, dvgw=DVGW, dd=DETERGENT DISPENCER, dp=DRAIN PUMP

A=3/N/PE~380-400V 50-60Hz, D=3/PE~200-210V 50-60Hz, F=2/PE~220-240V 50-60Hz, G=3/N/PE~415V 50-60Hz,
H=3/PE~220-230V 50-60Hz, K=3/PE~380-400V 50-60Hz, L=3/PE~415V 50-60Hz, M=3/PE~440V 60Hz, P=1/N/PE~220-
230V 50-60Hz, R=2/PE~220-240V 50-60Hz, U=1/N/PE~240V 50-60Hz, V=3/PE~240V 50-60Hz, W=1/N/PE~100-110V
50-60Hz



08_005_e

Spare parts

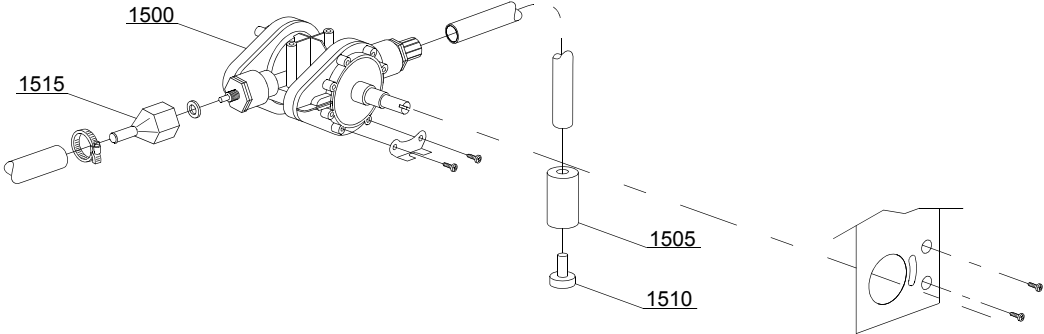
| ID | P-code | SN from | SN to | Mod. | Acces. | Volt | Description |
|--------------------|-----------|---------|-------|------|--------|------|---------------|
| Module:DVGW | | | | | | | |
| 1300 | 999900006 | | - | | dvgw | | DVGW assembly |

em=ELECTROMECHANICAL SWITCHES, dc=DOUBLE BODY VERSION, uw=LOWER AND UPPER VERSION
70U=70U

bp=BOOSTER PUMP, dvgw=DVGW, dd=DETERGENT DISPENCER, dp=DRAIN PUMP

A=3/N/PE~380-400V 50-60Hz, D=3/PE~200-210V 50-60Hz, F=2/PE~220-240V 50-60Hz, G=3/N/PE~415V 50-60Hz,
H=3/PE~220-230V 50-60Hz, K=3/PE~380-400V 50-60Hz, L=3/PE~415V 50-60Hz, M=3/PE~440V 60Hz, P=1/N/PE~220-
230V 50-60Hz, R=2/PE~220-240V 50-60Hz, U=1/N/PE~240V 50-60Hz, V=3/PE~240V 50-60Hz, W=1/N/PE~100-110V
50-60Hz

10_002_e



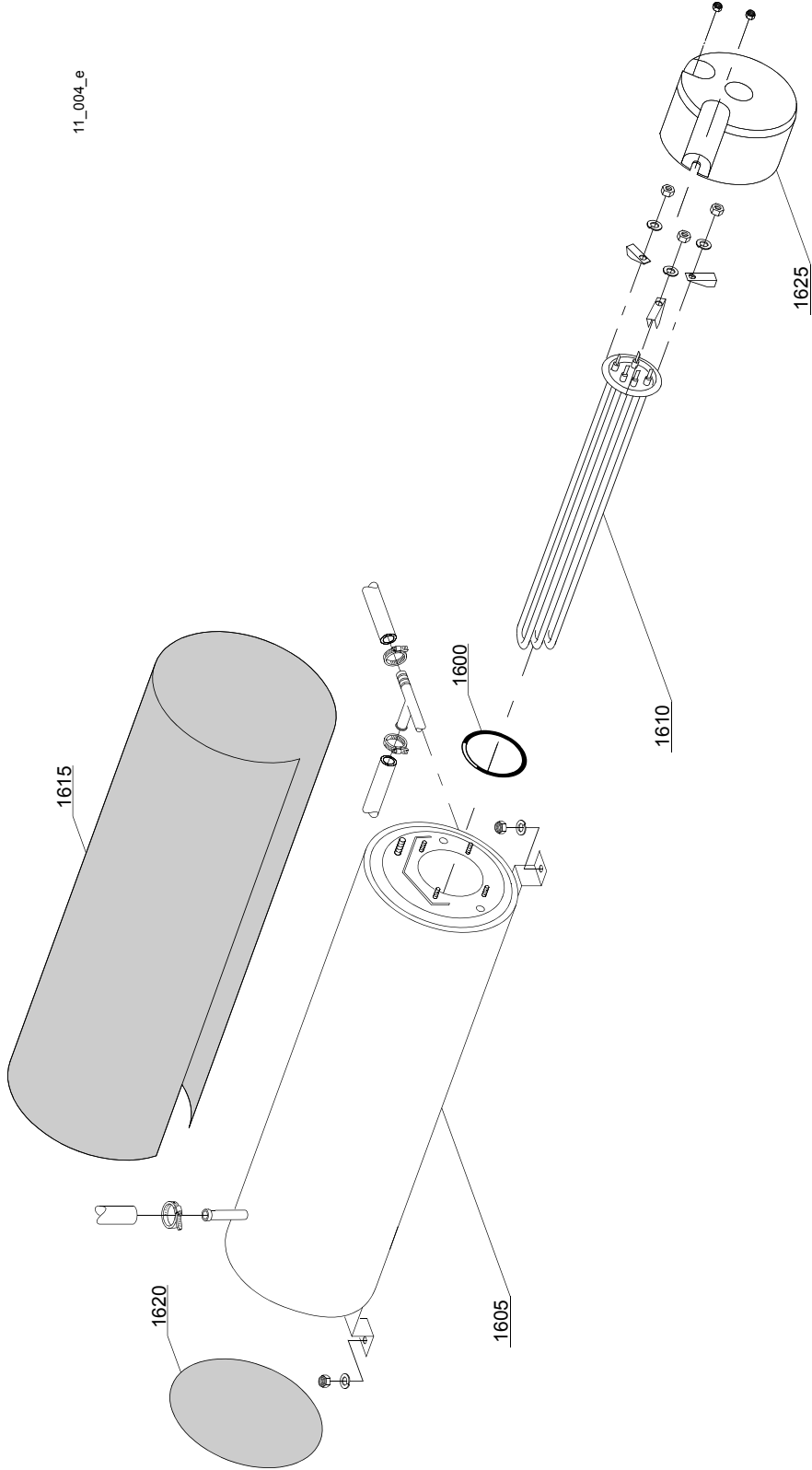
Spare parts

| ID | P-code | SN from | SN to | Mod. | Acces. | Volt | Description |
|------------------------------------------|---------|---------|-------|------|--------|------|-----------------------------------|
| Module: Rinse aid dispenser group | | | | | | | |
| 1500 | 10798 | | - | | | | Rinse dosing device |
| 1505 | 12525 | | - | | | | Counter-weight |
| 1510 | 15058 | | - | | | | Suction filter (minimum 3 pieces) |
| 1515 | 10798/B | | - | | | | Brass pipe fitting |

em=ELECTROMECHANICAL SWITCHES, dc=DOUBLE BODY VERSION, uw=LOWER AND UPPER VERSION
70U=70U

bp=BOOSTER PUMP, dvgw=DVGW, dd=DETERGENT DISPENCER, dp=DRAIN PUMP

A=3/N/PE~380-400V 50-60Hz, D=3/PE~200-210V 50-60Hz, F=2/PE~220-240V 50-60Hz, G=3/N/PE~415V 50-60Hz,
H=3/PE~220-230V 50-60Hz, K=3/PE~380-400V 50-60Hz, L=3/PE~415V 50-60Hz, M=3/PE~440V 60Hz, P=1/N/PE~220-
230V 50-60Hz, R=2/PE~220-240V 50-60Hz, U=1/N/PE~240V 50-60Hz, V=3/PE~240V 50-60Hz, W=1/N/PE~100-110V
50-60Hz



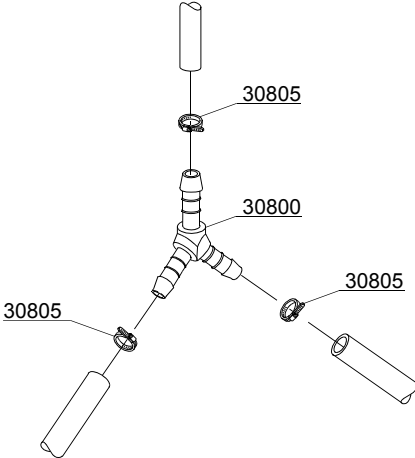
Spare parts

| ID | P-code | SN from | SN to | Mod. | Acces. | Volt | Description |
|----------------------------|----------|---------|-------|------|--------|-------------------------|-------------------------------------|
| Module:Boiler group | | | | | | | |
| 1600 | 13015 | | - | | | | Gasket OR 6225 (minimum 5 pieces) |
| 1605 | 22002 | | - | | | | Boiler |
| 1610 | 30001010 | | - | | | A,F,G,H,K,L,P, R,U,V | Heating element 6/6,53KW 230/240V 3 |
| 1610 | 30001011 | | - | | | A,F,G,H,K,L,P, R,U,V | Heating element 9/9,8KW 230/240V 3 |
| 1615 | 30002030 | | - | | | | Insulation boiler |
| 1620 | 75205 | | - | | | | Ø160 end piece (minimum 2 pieces) |
| 1625 | 75311 | | - | | | | Casing |

em=ELECTROMECHANICAL SWITCHES, dc=DOUBLE BODY VERSION, uw=LOWER AND UPPER VERSION
70U=70U

bp=BOOSTER PUMP, dvgw=DVGW, dd=DETERGENT DISPENCER, dp=DRAIN PUMP

A=3/N/PE~380-400V 50-60Hz, D=3/PE~200-210V 50-60Hz, F=2/PE~220-240V 50-60Hz, G=3/N/PE~415V 50-60Hz,
H=3/PE~220-230V 50-60Hz, K=3/PE~380-400V 50-60Hz, L=3/PE~415V 50-60Hz, M=3/PE~440V 60Hz, P=1/N/PE~220-
230V 50-60Hz, R=2/PE~220-240V 50-60Hz, U=1/N/PE~240V 50-60Hz, V=3/PE~240V 50-60Hz, W=1/N/PE~100-110V
50-60Hz



12_003ae

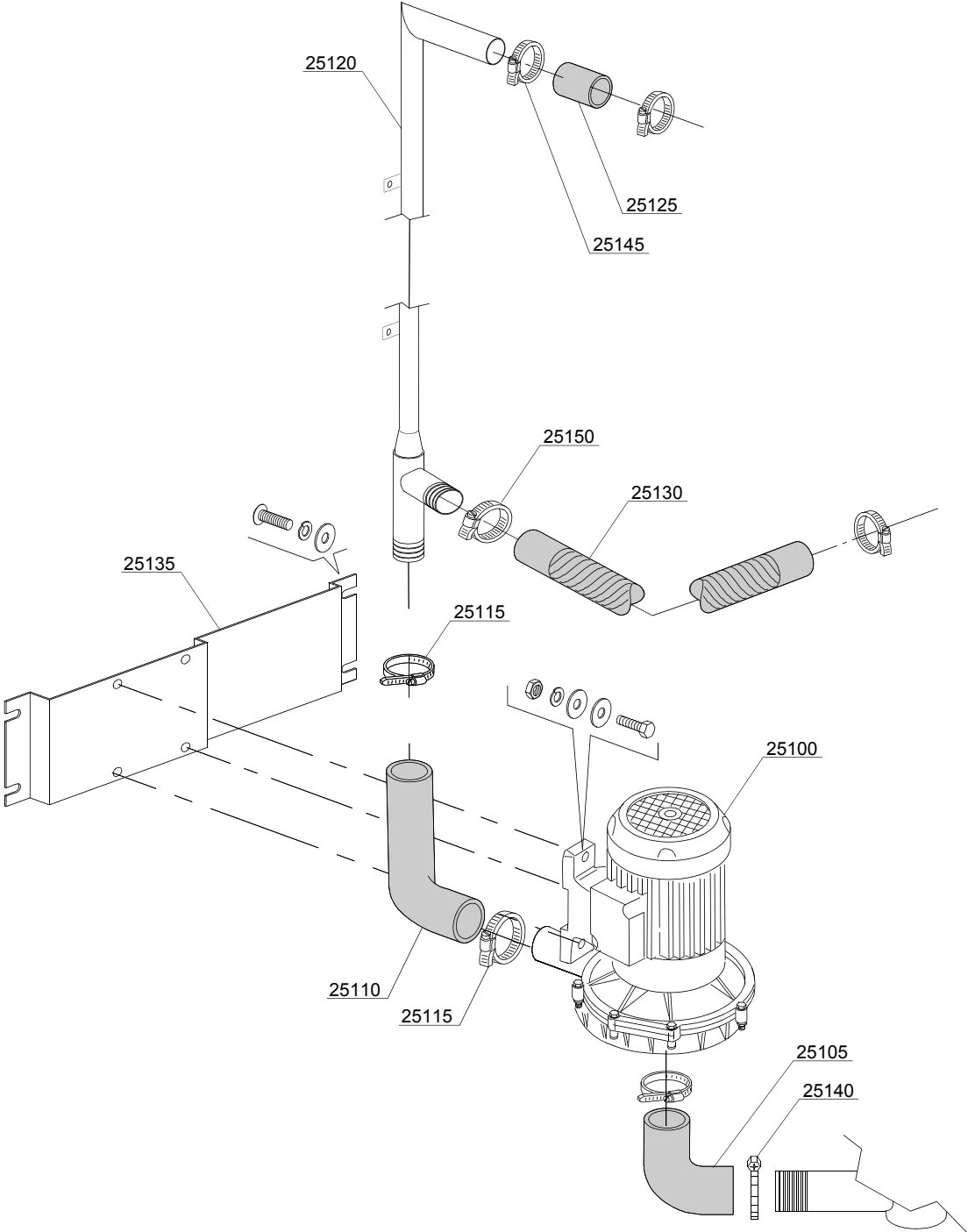
Spare parts

| ID | P-code | SN from | SN to | Mod. | Acces. | Volt | Description |
|---------------------------------|--------|---------|-------|------|--------|------|----------------------------------|
| Module:3 ways connection | | | | | | | |
| 30800 | 540091 | | - | | | | Ø12 mm plastic 3 ways connection |
| 30805 | 11807 | | - | | | | Clamp 12-22 (minimum 3 pieces) |

em=ELECTROMECHANICAL SWITCHES, dc=DOUBLE BODY VERSION, uw=LOWER AND UPPER VERSION
70U=70U

bp=BOOSTER PUMP, dvgw=DVGW, dd=DETERGENT DISPENCER, dp=DRAIN PUMP

A=3/N/PE~380-400V 50-60Hz, D=3/PE~200-210V 50-60Hz, F=2/PE~220-240V 50-60Hz, G=3/N/PE~415V 50-60Hz,
H=3/PE~220-230V 50-60Hz, K=3/PE~380-400V 50-60Hz, L=3/PE~415V 50-60Hz, M=3/PE~440V 60Hz, P=1/N/PE~220-
230V 50-60Hz, R=2/PE~220-240V 50-60Hz, U=1/N/PE~240V 50-60Hz, V=3/PE~240V 50-60Hz, W=1/N/PE~100-110V
50-60Hz



13_116_e

Spare parts

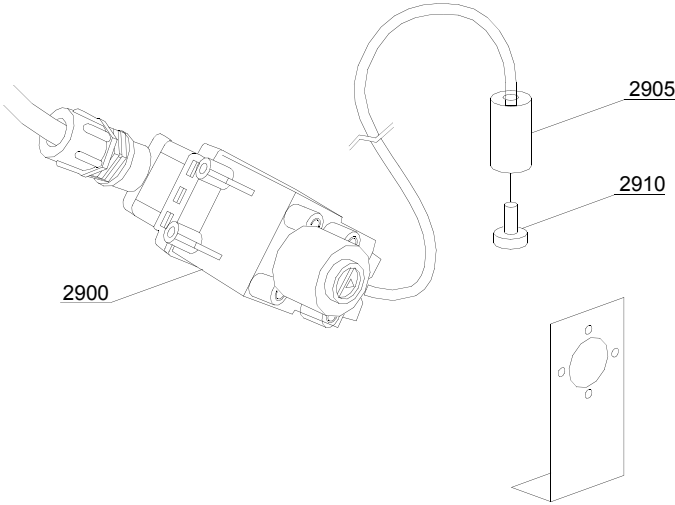
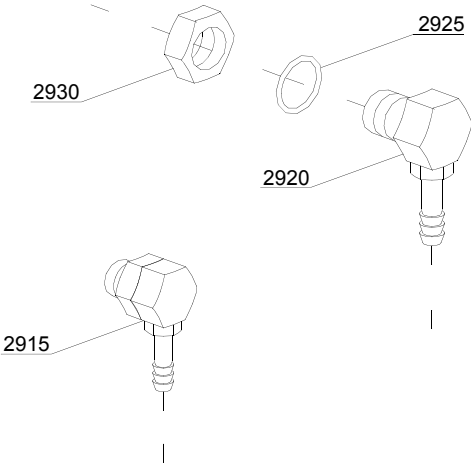
| ID | P-code | SN from | SN to | Mod. | Acces. | Volt | Description |
|--------------------------|---------|---------|-------|------|--------|-----------|-------------------------------------|
| Module: Wash pump | | | | | | | |
| 25100 | 88106 | | - | uw | | A,F,H,K,P | wash pump 2,7Hp/2kW 50Hz |
| 25100 | 88106/E | | - | uw | | G,L,U,V | wash pump - 2,7Hp/2kW 50Hz 240/415V |
| 25105 | 3002022 | | - | uw | | | Suction pipe coupling |
| 25110 | 15032/B | | - | uw | | | Top delivery pipe |
| 25115 | 11824 | | - | uw | | | 50/70 clamp (minimum 2 pieces) |
| 25120 | 90002 | | - | uw | | | Wash ramp |
| 25125 | 90029 | | - | uw | | | 34x45x250 pipe |
| 25130 | 90030 | | - | uw | | | 45x55x280 pipe |
| 25135 | 90917 | | - | uw | | | Pump support |
| 25140 | 2902491 | | - | uw | | | 60-80 clamp (minimum 2 pieces) |
| 25145 | 11809 | | - | uw | | | 30/45 clamp (minimum 2 pieces) |
| 25150 | 11810 | | - | uw | | | 40/60 clamp (minimum 2 pieces) |

em=ELECTROMECHANICAL SWITCHES, dc=DOUBLE BODY VERSION, uw=LOWER AND UPPER VERSION
70U=70U

bp=BOOSTER PUMP, dvgw=DVGW, dd=DETERGENT DISPENCER, dp=DRAIN PUMP

A=3/N/PE~380-400V 50-60Hz, D=3/PE~200-210V 50-60Hz, F=2/PE~220-240V 50-60Hz, G=3/N/PE~415V 50-60Hz,
H=3/PE~220-230V 50-60Hz, K=3/PE~380-400V 50-60Hz, L=3/PE~415V 50-60Hz, M=3/PE~440V 60Hz, P=1/N/PE~220-
230V 50-60Hz, R=2/PE~220-240V 50-60Hz, U=1/N/PE~240V 50-60Hz, V=3/PE~240V 50-60Hz, W=1/N/PE~100-110V
50-60Hz

14_002_e



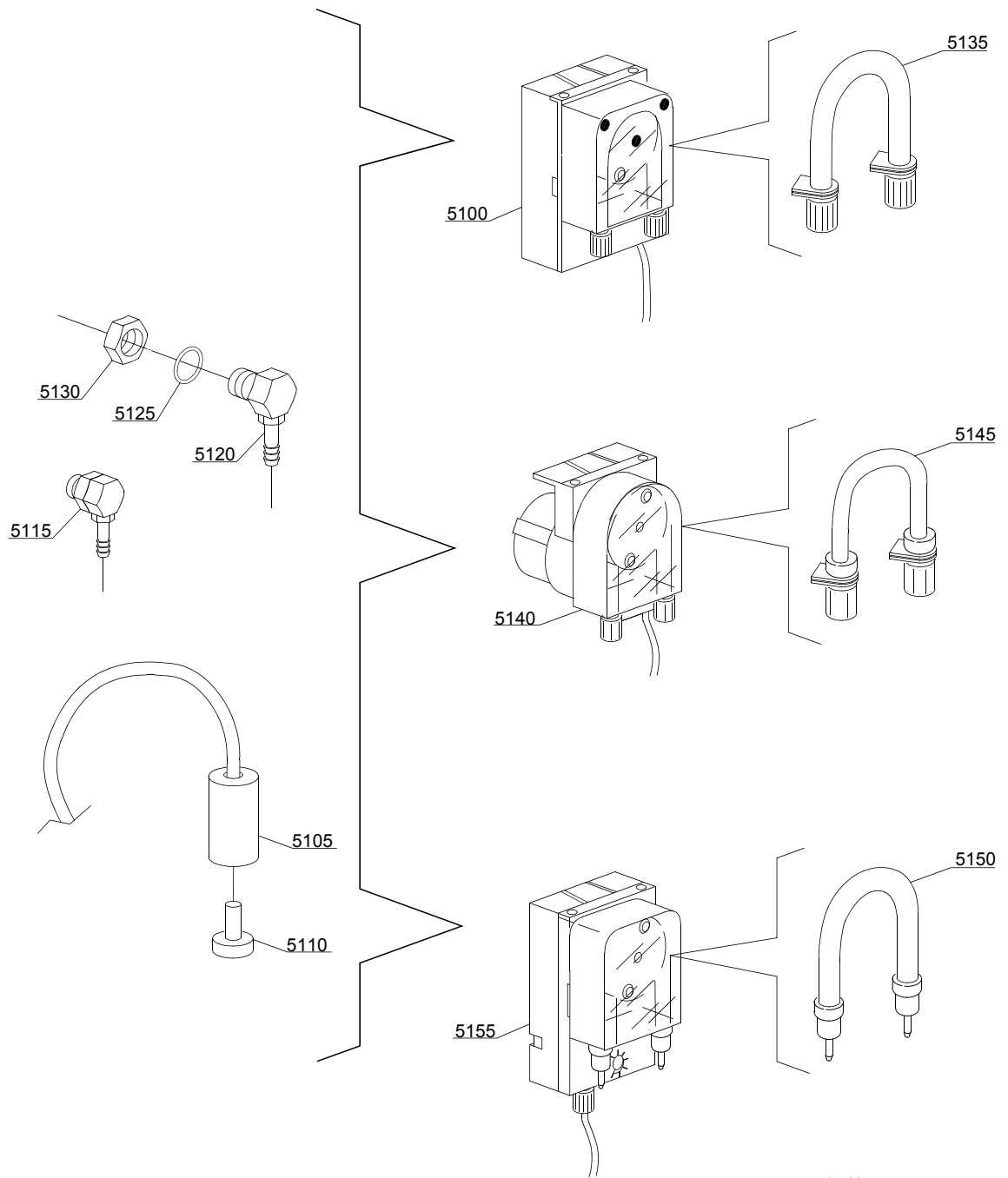
Spare parts

| ID | P-code | SN from | SN to | Mod. | Acces. | Volt | Description |
|--------------------------------------|----------|---------|-------|------|--------|------|-----------------------------------|
| Module:Dosing detergent group | | | | | | | |
| 2900 | 15108/L | | - | | dd | | Lang detergent pump |
| 2905 | 12525 | | - | | dd | | Counter-weight |
| 2910 | 15058 | | - | | dd | | Suction filter (minimum 3 pieces) |
| 2915 | 15123 | | - | | dd | | Complet plastic injector |
| 2920 | 15148 | | - | | dd | | Steel injector |
| 2925 | 15159 | | - | | dd | | OR O-ring (minimum 2 pieces) |
| 2930 | 10200205 | | - | | dd | | Nut m12x1 (minimum 2 pieces) |

em=ELECTROMECHANICAL SWITCHES, dc=DOUBLE BODY VERSION, uw=LOWER AND UPPER VERSION
70U=70U

bp=BOOSTER PUMP, dvgw=DVGW, dd=DETERGENT DISPENCER, dp=DRAIN PUMP

A=3/N/PE~380-400V 50-60Hz, D=3/PE~200-210V 50-60Hz, F=2/PE~220-240V 50-60Hz, G=3/N/PE~415V 50-60Hz,
H=3/PE~220-230V 50-60Hz, K=3/PE~380-400V 50-60Hz, L=3/PE~415V 50-60Hz, M=3/PE~440V 60Hz, P=1/N/PE~220-
230V 50-60Hz, R=2/PE~220-240V 50-60Hz, U=1/N/PE~240V 50-60Hz, V=3/PE~240V 50-60Hz, W=1/N/PE~100-110V
50-60Hz



14_004_e

Spare parts

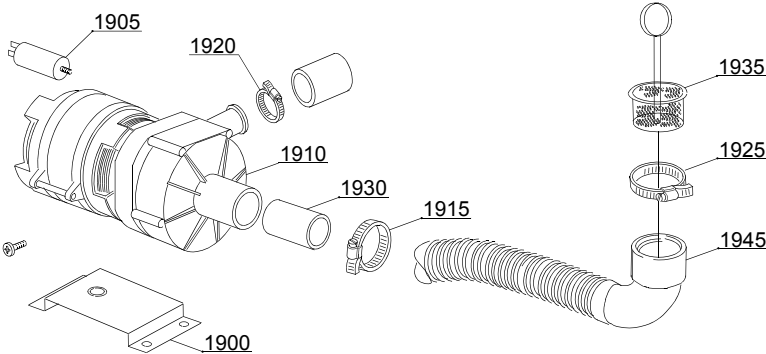
| ID | P-code | SN from | SN to | Mod. | Acces. | Volt | Description |
|--------------------------------------|----------|---------|-------|------|--------|------|-----------------------------------|
| Module:Dosing detergent group | | | | | | | |
| 5100 | 15985 | | - | | dd | | Seko detergent pump |
| 5105 | 12525 | | - | | dd | | Counter-weight |
| 5110 | 15058 | | - | | dd | | Suction filter (minimum 3 pieces) |
| 5115 | 15123 | | - | | dd | | Complet plastic injector |
| 5120 | 15148 | | - | | dd | | Steel injector |
| 5125 | 15159 | | - | | dd | | OR O-ring (minimum 2 pieces) |
| 5130 | 10200205 | | - | | dd | | Nut m12x1 (minimum 2 pieces) |
| 5135 | 15185 | | - | | dd | | Ø 10 Seko thermoplastic pipe |
| 5140 | 15985 | | - | | dd | | Germac detergent pump |
| 5145 | 15108/E | | - | | dd | | Ø 8 Germac thermoplastic pipe |
| 5150 | 15985/A | | - | | dd | | Ø 10 PLAS CONT thermoplastic pipe |
| 5155 | 15985 | | - | | dd | | PLAS CONT detergent pump |

em=ELECTROMECHANICAL SWITCHES, dc=DOUBLE BODY VERSION, uw=LOWER AND UPPER VERSION
70U=70U

bp=BOOSTER PUMP, dvgw=DVGW, dd=DETERGENT DISPENCER, dp=DRAIN PUMP

A=3/N/PE~380-400V 50-60Hz, D=3/PE~200-210V 50-60Hz, F=2/PE~220-240V 50-60Hz, G=3/N/PE~415V 50-60Hz,
H=3/PE~220-230V 50-60Hz, K=3/PE~380-400V 50-60Hz, L=3/PE~415V 50-60Hz, M=3/PE~440V 60Hz, P=1/N/PE~220-
230V 50-60Hz, R=2/PE~220-240V 50-60Hz, U=1/N/PE~240V 50-60Hz, V=3/PE~240V 50-60Hz, W=1/N/PE~100-110V
50-60Hz

15_003_e



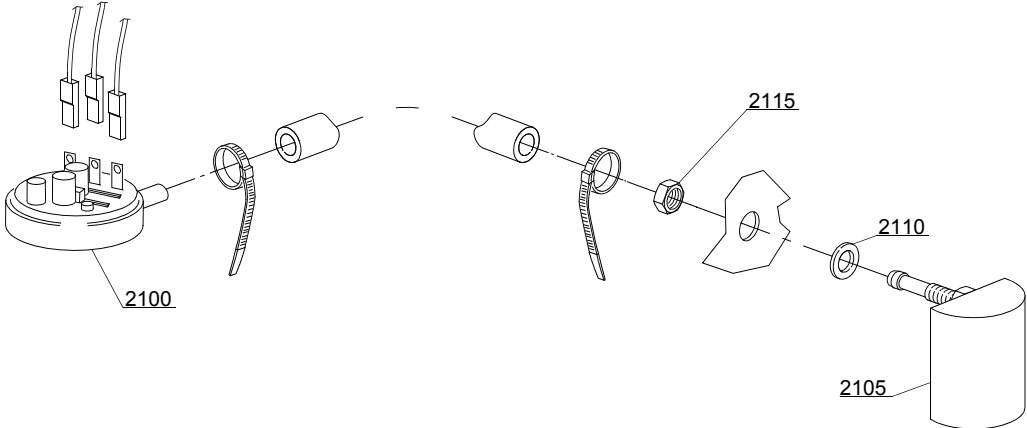
Spare parts

| ID | P-code | SN from | SN to | Mod. | Acces. | Volt | Description |
|---------------------------------|---------|---------|-------|------|--------|-------------------------|----------------------------------|
| Module: Drain pump group | | | | | | | |
| 1900 | 440122 | | - | | dp | | Pump support |
| 1905 | 10702 | | - | | dp | | 5 uF condenser |
| 1910 | 10501/A | | - | | dp | A,F,G,H,K,L,P, R,U,V | Drain pump 0,10Hp/190W 230V 50Hz |
| 1915 | 11806 | | - | | dp | | 25/40 clamp (minimum 2 pieces) |
| 1920 | 11836 | | - | | dp | | 20/32 clamp (minimum 2 pieces) |
| 1925 | 11809 | | - | | dp | | 30/45 clamp (minimum 2 pieces) |
| 1930 | 18044 | | - | | dp | | Ø28 top wash pipe |

em=ELECTROMECHANICAL SWITCHES, dc=DOUBLE BODY VERSION, uw=LOWER AND UPPER VERSION
70U=70U

bp=BOOSTER PUMP, dvgw=DVGW, dd=DETERGENT DISPENCER, dp=DRAIN PUMP

A=3/N/PE~380-400V 50-60Hz, D=3/PE~200-210V 50-60Hz, F=2/PE~220-240V 50-60Hz, G=3/N/PE~415V 50-60Hz,
H=3/PE~220-230V 50-60Hz, K=3/PE~380-400V 50-60Hz, L=3/PE~415V 50-60Hz, M=3/PE~440V 60Hz, P=1/N/PE~220-
230V 50-60Hz, R=2/PE~220-240V 50-60Hz, U=1/N/PE~240V 50-60Hz, V=3/PE~240V 50-60Hz, W=1/N/PE~100-110V
50-60Hz



16_001_e

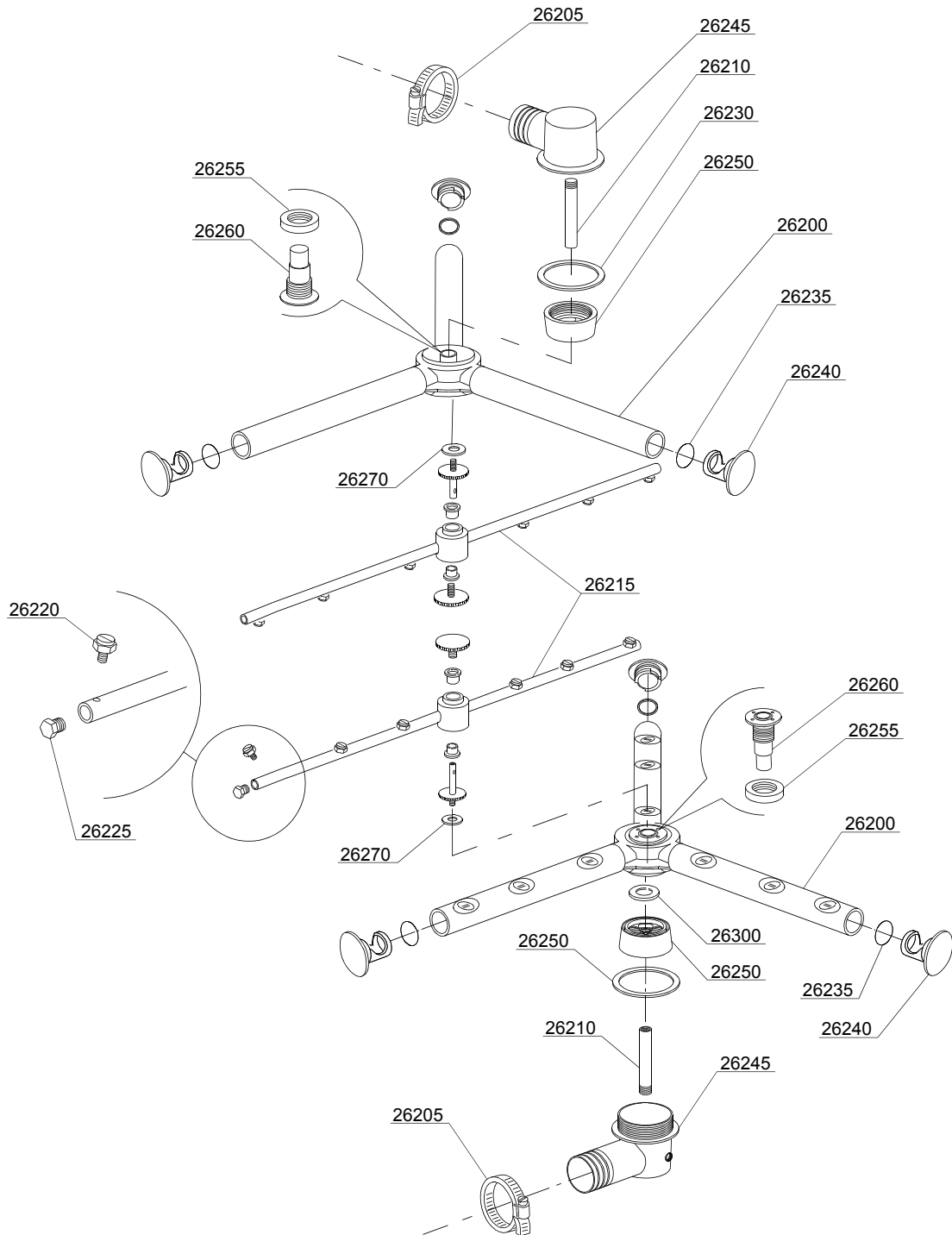
Spare parts

| ID | P-code | SN from | SN to | Mod. | Acces. | Volt | Description |
|---------------------------------------------------|--------|---------|-------|------|--------|------|-------------------------------------|
| Module:Pressure switch group with air trap | | | | | | | |
| 2100 | 90023 | | - | | | | Pressure switch |
| 2105 | 135911 | | - | | | | Air trap |
| 2110 | 13301 | | - | | | | Gasket 14x8x1,5 (minimum 10 pieces) |
| 2115 | 11702 | | - | | | | Nut M8 (minimum 10 pieces) |

em=ELECTROMECHANICAL SWITCHES, dc=DOUBLE BODY VERSION, uw=LOWER AND UPPER VERSION
70U=70U

bp=BOOSTER PUMP, dvgw=DVGW, dd=DETERGENT DISPENCER, dp=DRAIN PUMP

A=3/N/PE~380-400V 50-60Hz, D=3/PE~200-210V 50-60Hz, F=2/PE~220-240V 50-60Hz, G=3/N/PE~415V 50-60Hz,
H=3/PE~220-230V 50-60Hz, K=3/PE~380-400V 50-60Hz, L=3/PE~415V 50-60Hz, M=3/PE~440V 60Hz, P=1/N/PE~220-
230V 50-60Hz, R=2/PE~220-240V 50-60Hz, U=1/N/PE~240V 50-60Hz, V=3/PE~240V 50-60Hz, W=1/N/PE~100-110V
50-60Hz



Spare parts

| ID | P-code | SN from | SN to | Mod. | Acces. | Volt | Description |
|-----------------------------------------------|----------|---------|-------|------|--------|------|----------------------------------------------|
| Module:Turret group with rotating arms | | | | | | | |
| 26200 | 90004 | | - | uw | | | Upper/lower complet wash rotor |
| 26205 | 11810 | | - | uw | | | 40/60 clamp (minimum 2 pieces) |
| 26210 | 90010 | | - | uw | | | Top axle extension |
| 26215 | 90003 | | - | uw | | | Rinse group |
| 26220 | 560018 | | - | uw | | | Stainless steel rinse nozzle |
| 26225 | 560017 | | - | uw | | | Rinse arm plug |
| 26230 | 80208 | | - | uw | | | 95x75x3 O-ring (minimum 2 pieces) |
| 26235 | 13023 | | - | uw | | | OR 131 (4093) NBR O-ring (minimum 10 pieces) |
| 26240 | 3003029 | | - | uw | | | Plug |
| 26245 | 90008 | | - | uw | | | Lower turret |
| 26250 | 90009 | | - | uw | | | Turret fixing hub |
| 26255 | 75317 | | - | uw | | | Nut for wash arm bearing |
| 26260 | 75316 | | - | uw | | | Hub for rotor |
| 26270 | 90031 | | - | uw | | | Sliding washer |
| 26300 | 11600033 | | - | uw | | | Flow reduction ring |

em=ELECTROMECHANICAL SWITCHES, dc=DOUBLE BODY VERSION, uw=LOWER AND UPPER VERSION
70U=70U

bp=BOOSTER PUMP, dvgw=DVGW, dd=DETERGENT DISPENCER, dp=DRAIN PUMP

A=3/N/PE~380-400V 50-60Hz, D=3/PE~200-210V 50-60Hz, F=2/PE~220-240V 50-60Hz, G=3/N/PE~415V 50-60Hz,
H=3/PE~220-230V 50-60Hz, K=3/PE~380-400V 50-60Hz, L=3/PE~415V 50-60Hz, M=3/PE~440V 60Hz, P=1/N/PE~220-
230V 50-60Hz, R=2/PE~220-240V 50-60Hz, U=1/N/PE~240V 50-60Hz, V=3/PE~240V 50-60Hz, W=1/N/PE~100-110V
50-60Hz