

Edelstahlmöbel Spülschrank mit Aufkantung

Artikel-Nr. 942009, 942010, 942011, 942012,
942013, 942014, 942015, 942016
(9F9M6065, 9F9M6064, 9F9M6067, 9F9M6066,
9F9M6074, 9F9M6073, 9F9M6076, 9F9M6075)

Explosionszeichnung / Ersatzteile

**LAVATOI ARMADIATI ED ARMADIATI AD INSERIMENTO,
TAVOLI ARMADIATI AD ANGOLO**


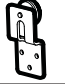
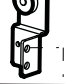

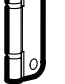
**CUPBOARDS SINK UNITS AND CUPBOARDS SINK UNITS
FOR DISHWASHERS, CORNER WORKTOP CUPBOARDS**

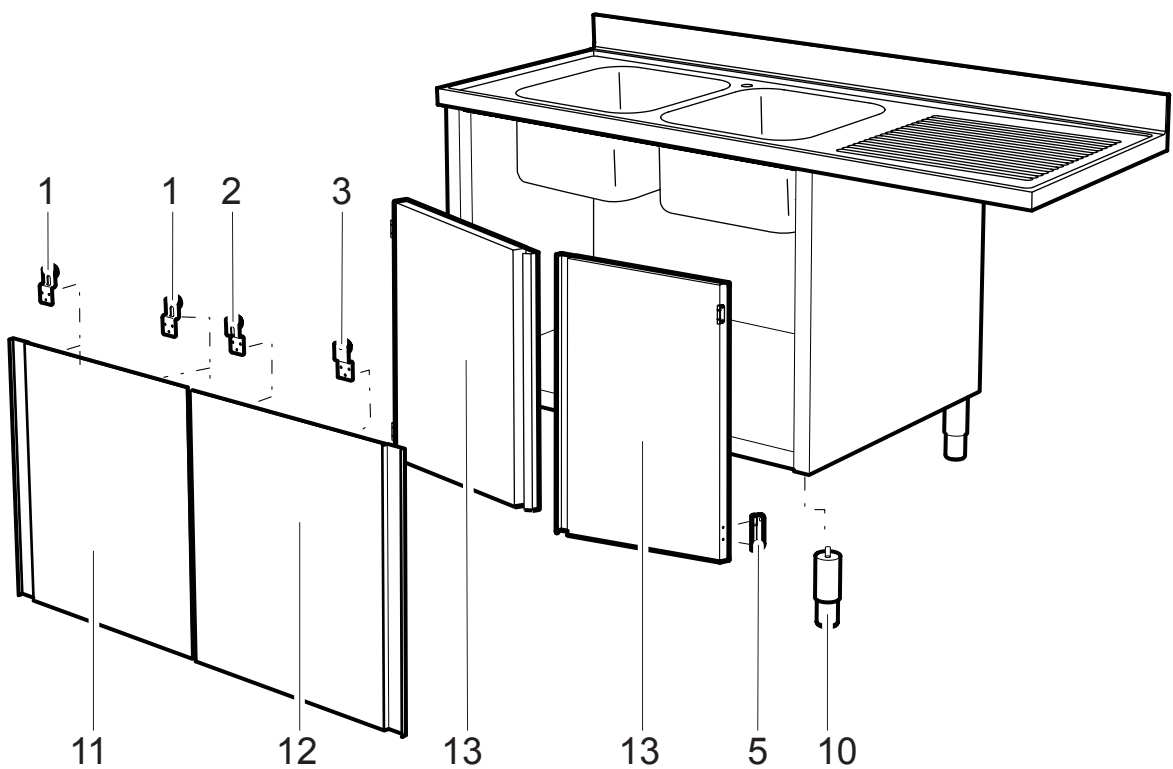
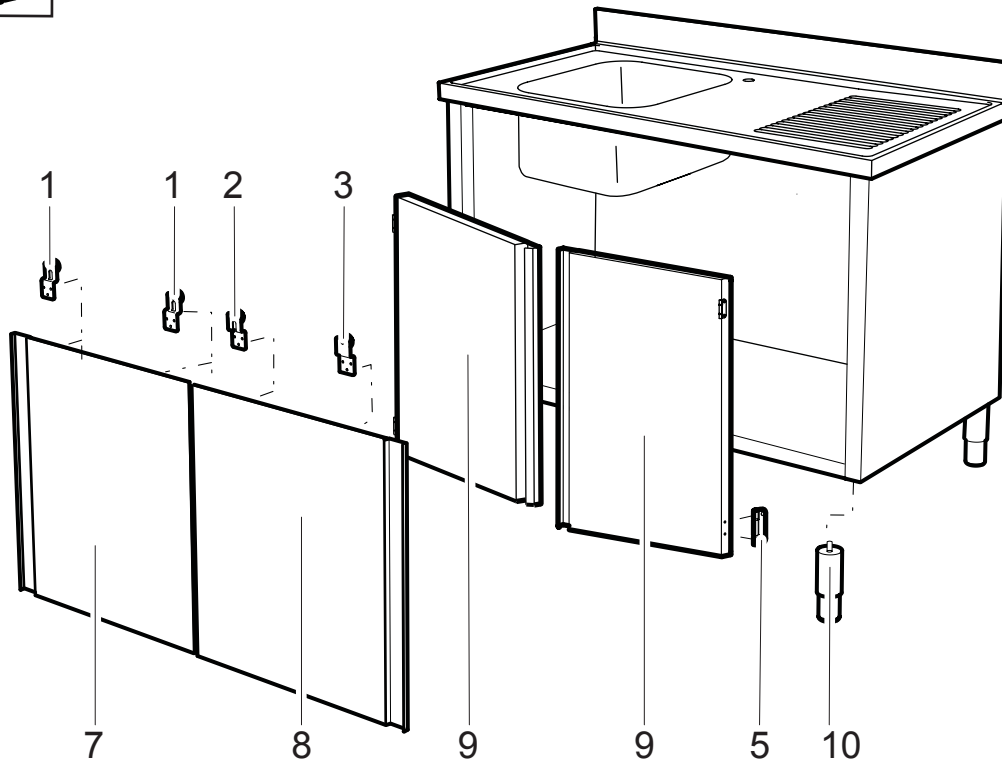
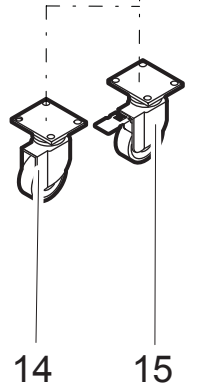
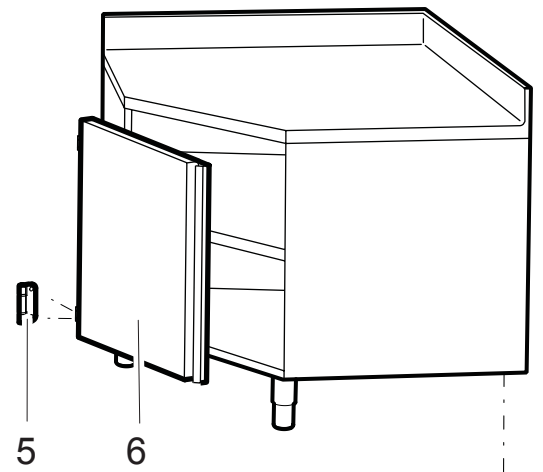


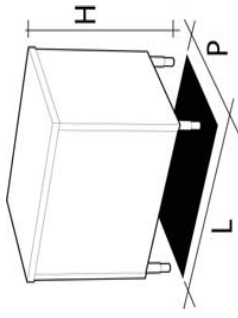
**Indice:
Index:**

**Pag: 2
Pag: 3
Pag: 4**

**Disegni Drawings
Codici ricambio Spare part list
Codici di prodotto Product number codes**

1	
2	
3	
4	
8	





SPARE PART CODES LIST - LISTA RICAMBI PER CODICE

NUM.	1	2	3	4	5	6	7	8	9	10	11	12	13	14	15
Descrizione	Rotellina porta sinistra senza freno	Rotellina porta destra senza freno	Rotellina porta destra con freno	Paracolpi a fungo nero	Cerniera	Porta battente	Porta scorrevole sinistra	Porta scorrevole destra	Porta battente sinistra o destra	Piedone	Porta scorrevole sinistra	Porta scorrevole destra	Porta battente sinistra o destra	Ruota ø 125 mm	Ruota ø 125 mm con freno
Description	Wheel for left door without break	Wheel for right door without break	Wheel for right door with break	Black shock absorber	Door hinge	Wing door	Left sliding door	Left sliding door	Left or right wing door	Foot	Left sliding door	Left sliding door	Left or right wing door	Wheel ø 125 mm	Wheel ø 125 mm with break
P (mm)	-	-	-	-	-	-	-	-	-	-	-	-	-	-	-
H (mm)	850	850	850	850	850	850	850	850	850	850	850	850	850	-	-
700	↑	↑	↑	↑	↑	↑	↑	↑	↑	↑	↑	↑	↑	↑	↑
800	↑	↑	↑	↑	↑	↑	↑	↑	↑	↑	↑	↑	↑	↑	↑
1000	↑	↑	↑	↑	↑	↑	↑	↑	↑	↑	↑	↑	↑	↑	↑
1200	0855309701	0855309601	0855358100	0140403100	0511304900	0830355800	855360500	855359400		0805318400			0830355100	0961300001	0961300101
1400	↑	↑	↑	↑	↑	↑	855360900	855359800					0830355300	↑	↑
1600	↑	↑	↑	↑	↑	↑	855361100	855360000					0830355500	↑	↑
1800	↑	↑	↑	↑	↑	↑	855361300	855360200			0855360700	0855359600		↑	↑
2000	↑	↑	↑	↑	↑	↑	855361500	855360400			0855360900	0855359800		↑	↑

LISTA CODICI PRODOTTO FINITO

LIST OF PRODUCT NUMBER CODES

PROFONDITA' - DEPTH 600 mm

PNC ->	To PNC	DESCRIZIONE	DESCRIPTION
		TAVOLI ARMADIATI AD ANGOLO	CORNER WORKTOP CUPBOARDS
9M8178	-	TAVOLO ARMADIO AD ANGOLO	CORNER WORKTOP CUPBOARD
		LAVATOI ARMADIATI PORTE SCORREVOLI	CUPBOARD SINK UNITS WITH SLIDING DOORS
9M8943	9M8948	LAVATOI ARMADIATI	CUPBOARD SINK UNITS
9M8951	-	LAVATOIO ARMADIATO	CUPBOARD SINK UNIT
	9M8977	LAVATOI ARMADIATI	CUPBOARD SINK UNITS
9M8953	9M8958	LAVATOI ARMADIATI	CUPBOARD SINK UNITS
9M8975	-	LAVATOIO ARMADIATO	CUPBOARD SINK UNIT
		LAVATOI AD INSERIMENTO CON PORTE BATTENTI	SINK UNITS FOR DISHWASHERS WITH WING DOORS
9M8965	9M8968	LAVATOI ARMADIATI AD INSERIMENTO	CUPBOARD SINK UNITS FOR DISHWASHERS
9M8953	-	LAVATOIO ARMADIATO AD INSERIMENTO	CUPBOARD SINK UNIT FOR DISHWASHERS
9M8970	-	LAVATOIO ARMADIATO AD INSERIMENTO	CUPBOARD SINK UNIT FOR DISHWASHERS
		LAVATOI AD INSERIMENTO CON PORTE SCORREVOLI	SINK UNITS FOR DISHWASHERS WITH SLIDING DOORS
9M8971	9M8974	LAVATOI ARMADIATI AD INSERIMENTO	CUPBOARD SINK UNITS FOR DISHWASHERS

PROFONDITA' - DEPTH 700 mm

		TAVOLI ARMADIATI AD ANGOLO	CORNER WORKTOP CUPBOARDS
9M1015	-	Tavolo armadio ad angolo	Corner worktop cupboard
9M2015	-	Tavolo armadio ad angolo	Corner worktop cupboard
		LAVATOI ARMADIATI PORTE BATTENTI	CUPBOARD SINK UNITS WITH WING DOORS
9M6060	9M6061	LAVATOI ARMADIATI	CUPBOARD SINK UNITS
		LAVATOI ARMADIATI PORTE SCORREVOLI	CUPBOARD SINK UNITS WITH SLIDING DOORS
9M6062	9M6067	LAVATOI ARMADIATI	CUPBOARD SINK UNITS
9M6070	9M6078	LAVATOI ARMADIATI	CUPBOARD SINK UNITS
9M6086	-	LAVATOI ARMADIATI	CUPBOARD SINK UNITS