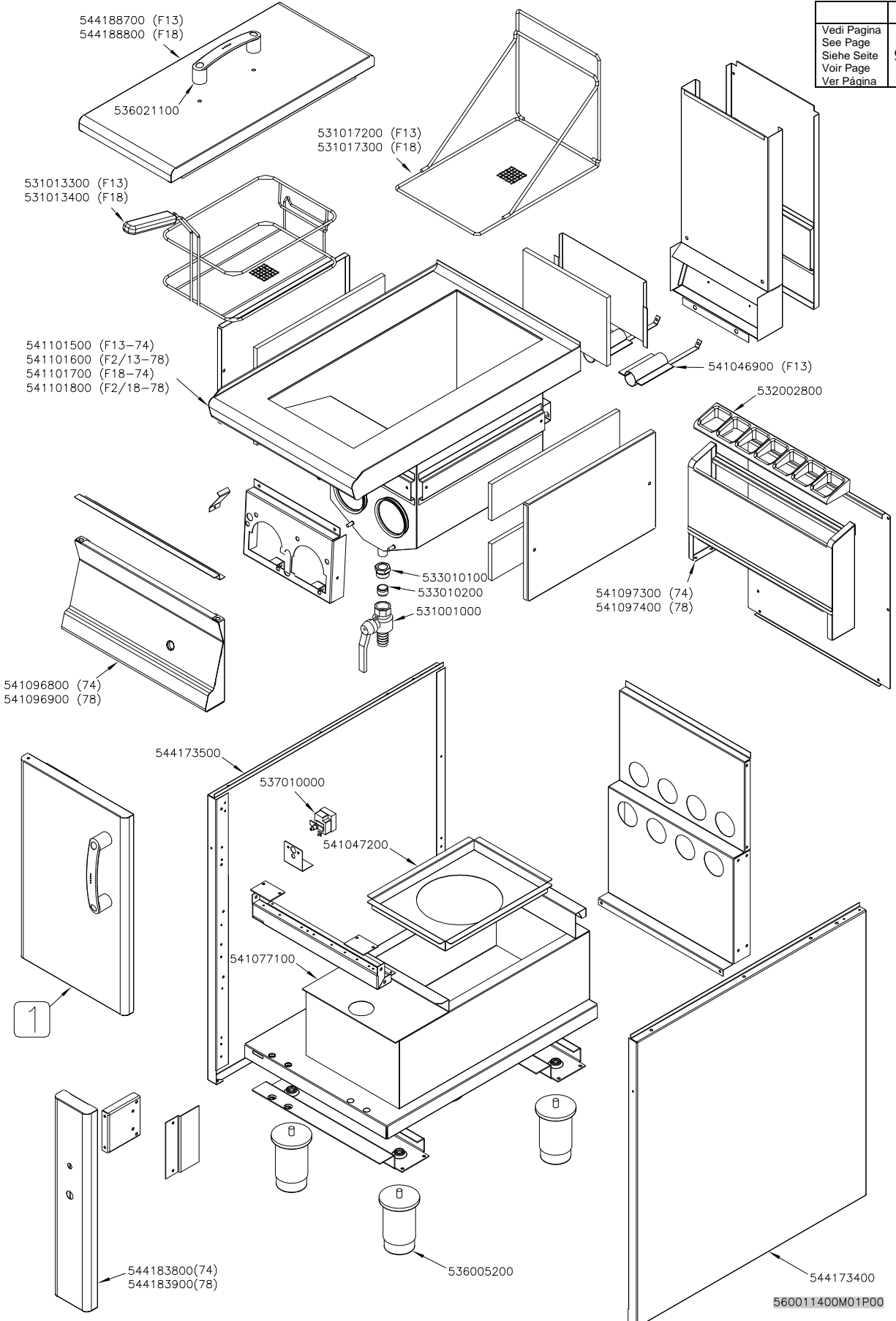


SUPERLOTUS 70≤0601

GAS / GAS / GAS / GAZ

F13-74G F2/13-78G F18-74G F2/18-78G

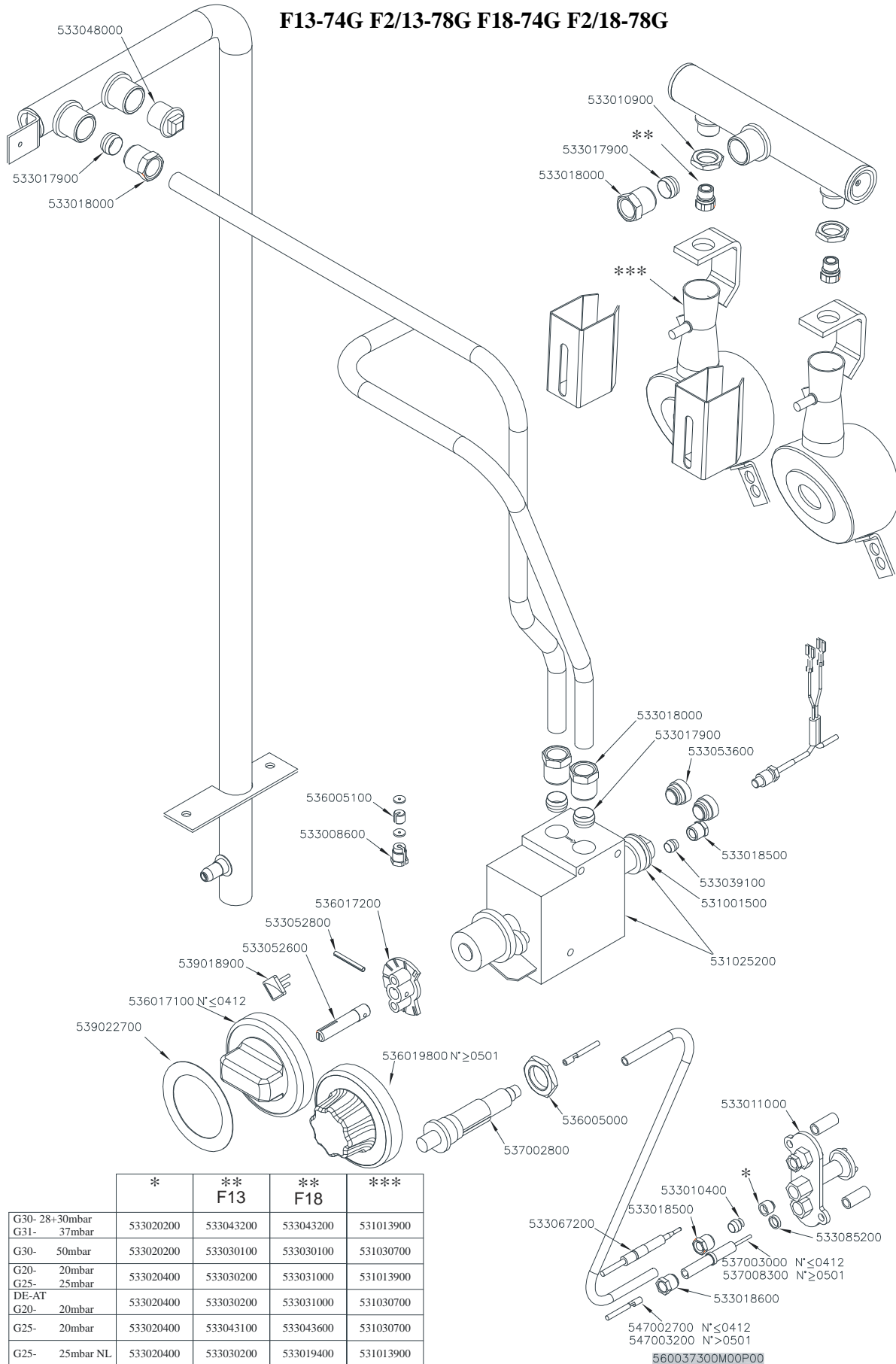
	1
Vedi Pagina See Page Siehe Seite Voir Page Ver Pàgina	94



SUPERLOTUS 70≤0601

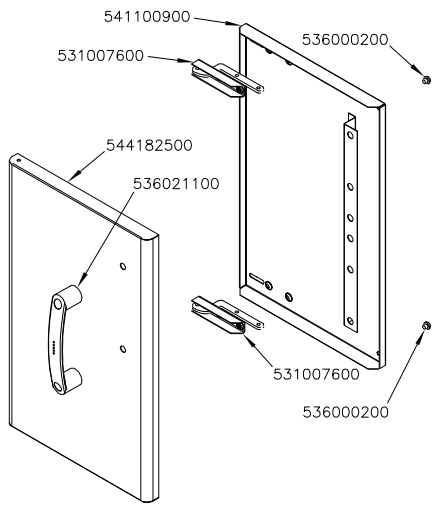
GAS / GAS / GAS / GAZ

F13-74G F2/13-78G F18-74G F2/18-78G

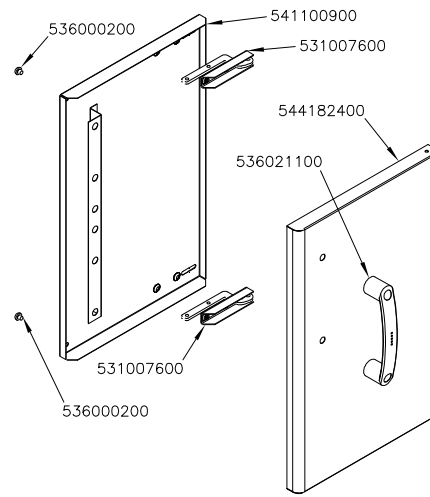


	*	**	**	***
		F13	F18	
G30- 28+30mbar	533020200	533043200	533043200	531013900
G31- 37mbar				
G30- 50mbar	533020200	533030100	533030100	531030700
G20- 20mbar	533020400	533030200	533031000	531013900
G25- 25mbar				
DE-AT	533020400	533030200	533031000	531030700
G20- 20mbar				
G25- 20mbar	533020400	533043100	533043600	531030700
G25- 25mbar NL	533020400	533030200	533019400	531013900

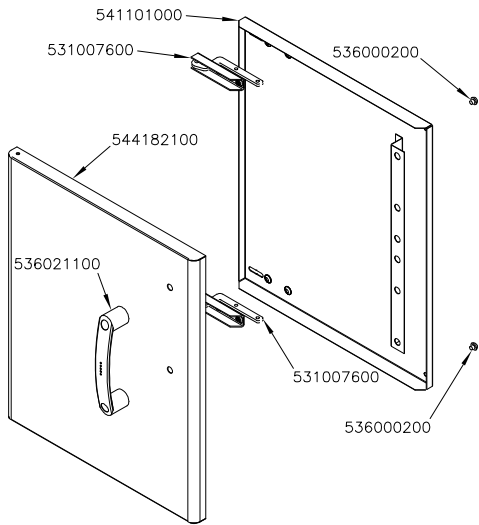
PORTE / DOORS / FLÜGELÜREN / PORTES



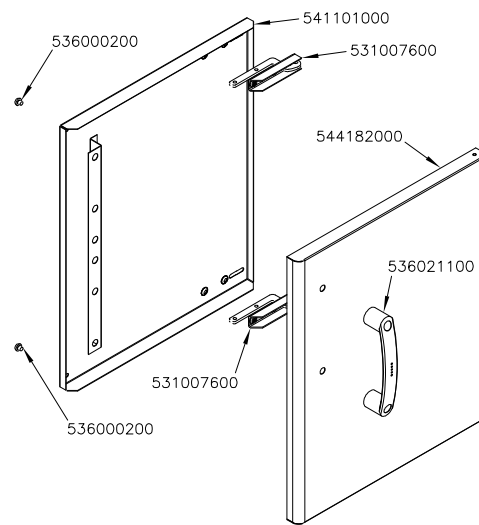
P-73/93 SX



P-73/93 DX

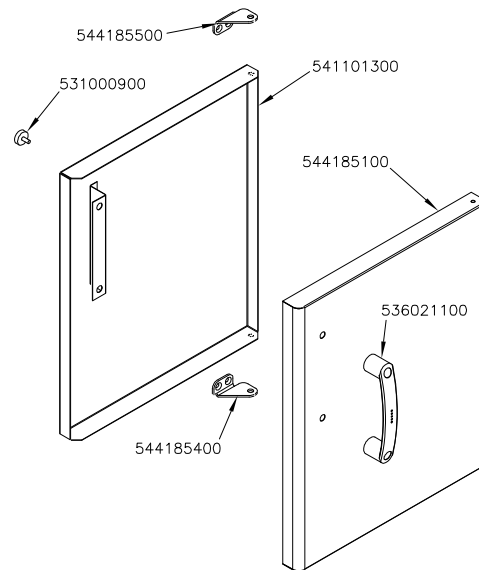


P-74/94 SX



P-74/94 DX

560012800M00P00



P-74/94 DX CF

Page	Pos	Code	Description
001		544188700	TANK LID F13-74G
001		536021100	BLACK HANDLE 70LINE + 2RED POINTS
001		531017200	TANK FILTER/BASKET SUPPORT FMG10/13
001		531013300	FRYER BASKET 10LTS.GAS/70EL.
001		541101500	UPPER PLATE F13-74G
001		541046900	HEAT ACCUMULATOR FMG-10-2/10
001		532002800	GRID FOR PIPE L=370 S.70
001		533010100	3/4 D. 18 PIPE UNION
001		533010200	BICONE 18S
001		531001000	DRAIN COCK 3/4" + HANDLE
001		541097300	SPACER 74G
001		541096800	CONTROL PANEL S607090 F13 -74G
001		544173500	LEFT SIDE PANEL S.70
001		537010000	SAFETY THERMOSTAT 220°C SINGLEPHASE
001		541047200	FILTER FOR DRIP TRAY
001		541077100	FILTER FOR DRIP TRAY 23L
001		536005200	INOX LEG 2" 120-180 M10
001		544183800	LOWER CONTROL PANEL 74G
001		544173400	RIGHT SIDE PANEL S.70
002		533048000	THREADED CAP 3/8"G
002		533017900	BICONE D.12
002		533018000	ELBOW FOR BICONE D.12 3/8 RS L20
002		533010900	NUT M14*1 H.4
002		533053600	EUROSIT VALVE PLUG
002		533018500	FITTING FOR BICONE D.6 M10*1
002		533039100	BICONE §6
002		531001500	MAGNET FOR EUROSIT VALVE
002		531025200	EUROSIT VALVE FQ 110-190°C
002		536005100	GRAPHITE §07,4 GASKET
002		533008600	STUFFING BOX M9*1
002		536017200	MATCHER REMOTE CONTROL EUROSIT
002		533052800	ELASTIC PEG §2,5*26
002		533052600	PIN FOR KNOB 65LINE
002		539018900	INDEX FOR KNOB
002		536017100	BLACK KNOB §70 PIN §8*6,5
002		539022700	ADHESIVE GRADUATED DISC FOR KNOB
002		536019800	BLACK KNOB §70 PIN §8*6,5
002		536005000	NUT M18 FOR PIEZOELECTRIC IGNITION
002		537002800	PIEZOELECTRIC IGNITION M18
002		533011000	PILOT BURNER 3 FLAMES 320
002		533010400	BICONE D.6
002		533067200	THERMOCOUPLE 220+500 M9*1 CUT-OFF
002		533085200	
002		537003000	PLUG M4 - LONG ELECTRODE
002		537008300	ROUND PLUG §2,4- LONG ELECTRODE
002		533018600	PLUG FITTING
002		547002700	HIGH-VOLTAGE CABLE L=500
002		547003200	HIGH-VOLTAGE CABLE TUBE.§2 L=500
002		533020200	PILOT JETS 0160 FOR LPG §30
002		533043200	NOZZLE §110 G30 (LPG) CH12X14
002		531013900	BURNER FMG-10/15

Page	Pos	Code	Description
002		533030100	NOZZLE §95 CH12*14 G-FP
002		531030700	BURNER "S" FMG-10/15
002		533020400	NOZZLE 0160 (NATURAL GAS) 51
002		533030200	NOZZLE §170 CH12*14 MH-FG L-FP/CW
002		533043100	NOZZLE §185 G25 CH12X14
003		541100900	INNER DOOR 73
003		536000200	D.12 H.4 BUMPER
003		531007600	DOOR HINGE
003		544182500	RIGHT DOOR 73
003		536021100	BLACK HANDLE 70LINE + 2RED POINTS
003		544182400	RIGHT DOOR 73
003		541101000	INNER DOOR 74
003		544182100	LEFT DOOR 74
003		544182000	RIGHT DOOR 74
003		544185500	UPPER DOOR HINGE FOR COMPARTME CF70
003		541101300	RIGHT INNER DOOR 74 CF
003		531000900	MAGNET §22 KG.3 WITH DISK
003		544185100	RIGHT DOOR 74
003		544185400	LOWER DOOR HINGE FOR COMPARTME CF70