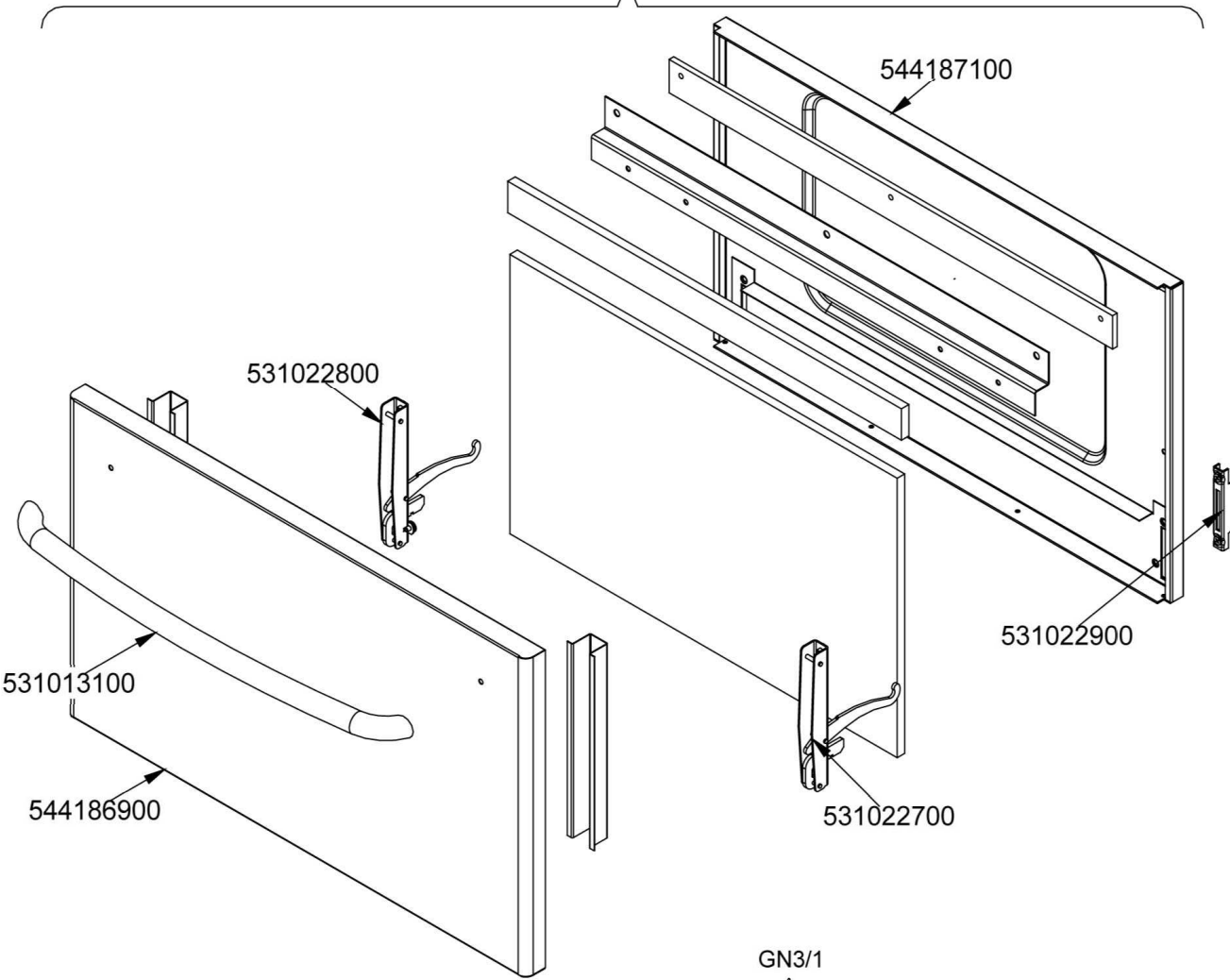
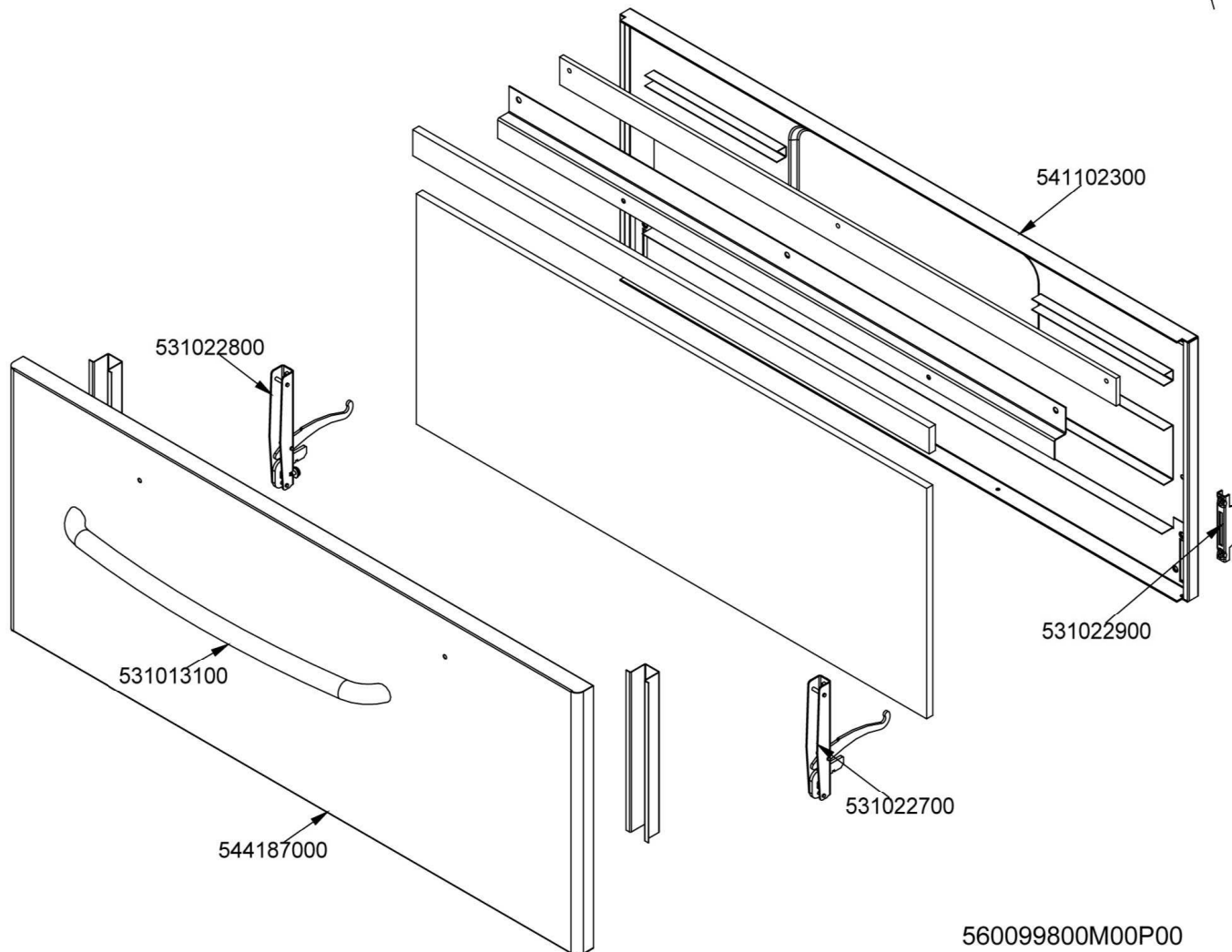


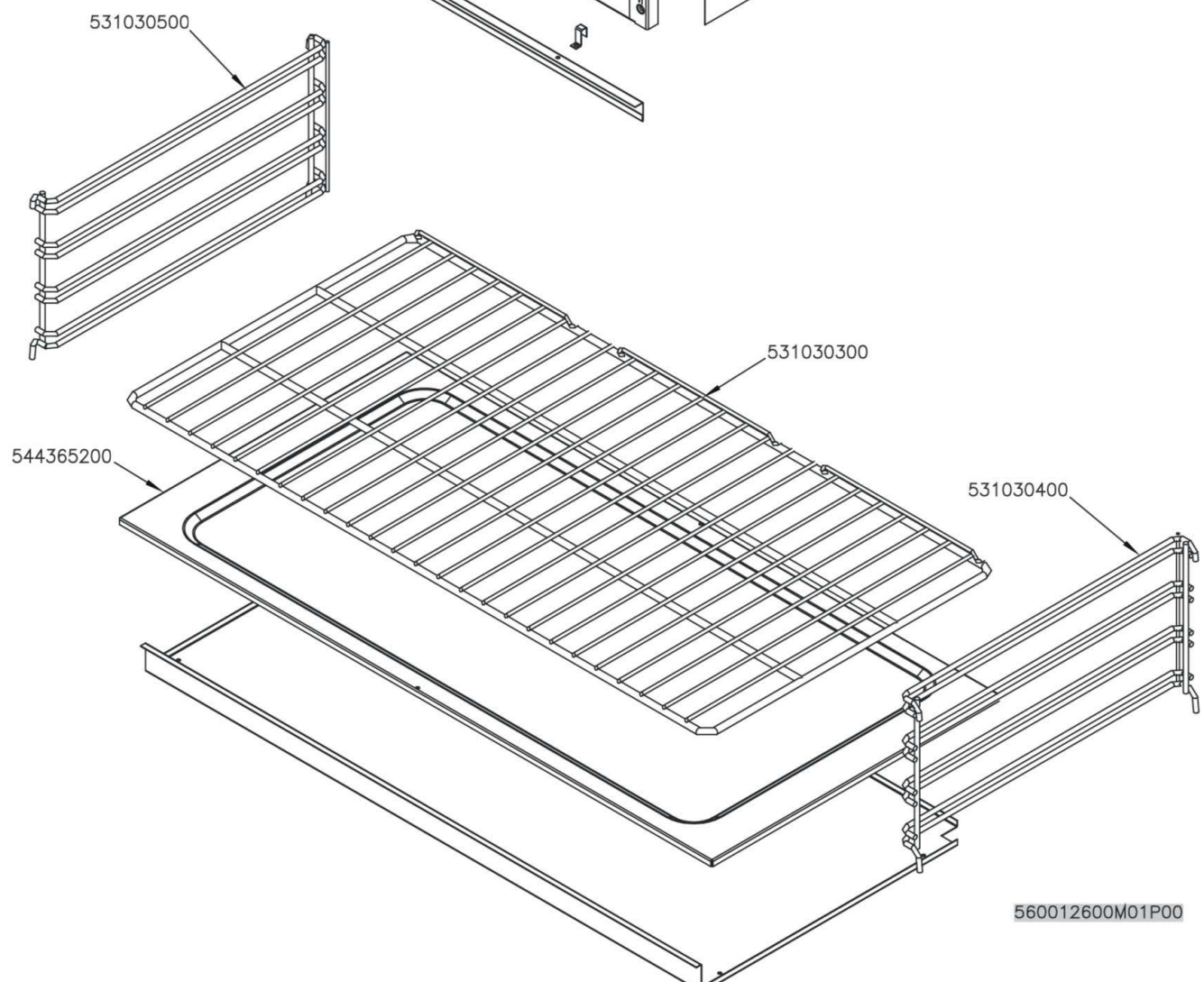
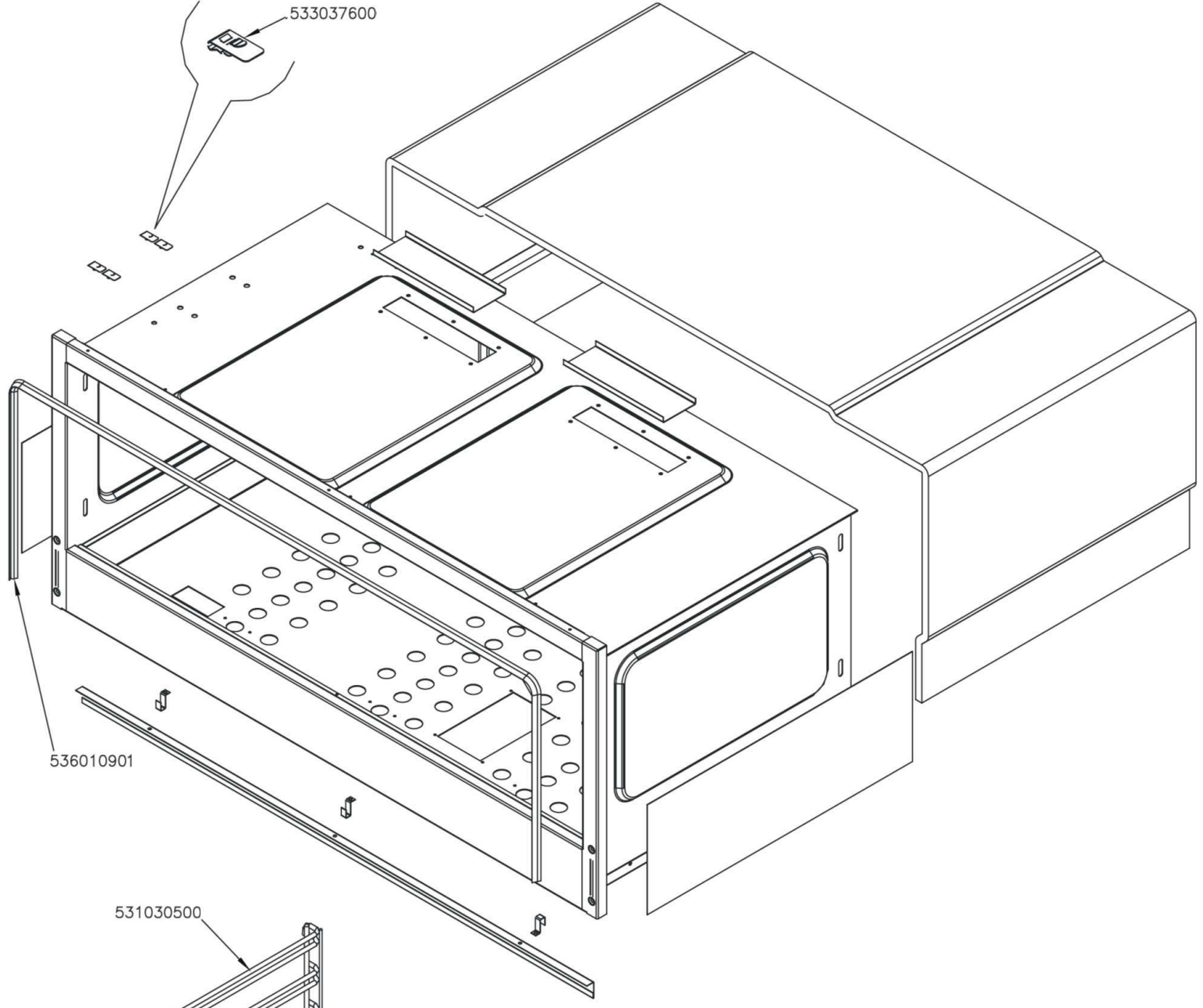
GN2/1



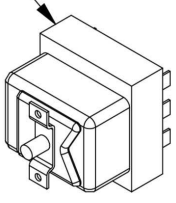
GN3/1



560099800M00P00



537012800



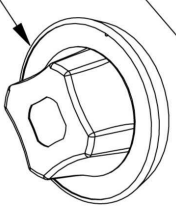
539018800



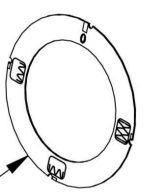
539028000



537034001



536034400



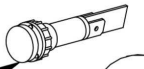
539054200



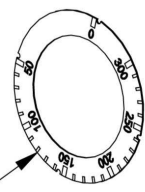
539061900



537014200



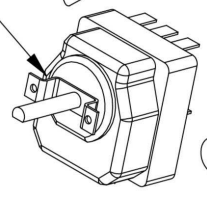
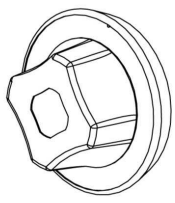
539062000



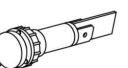
539023900



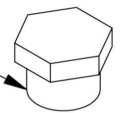
537000900



537014100



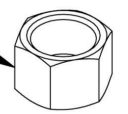
533023600



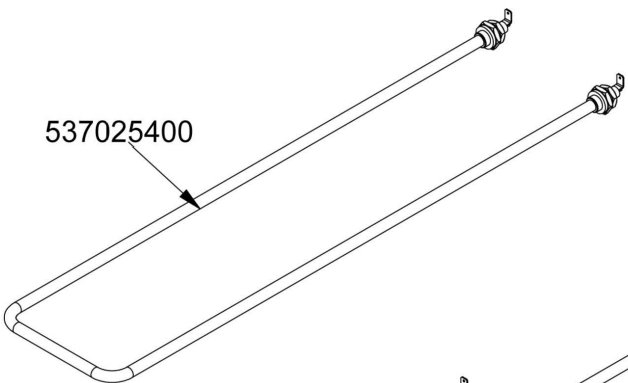
533039300



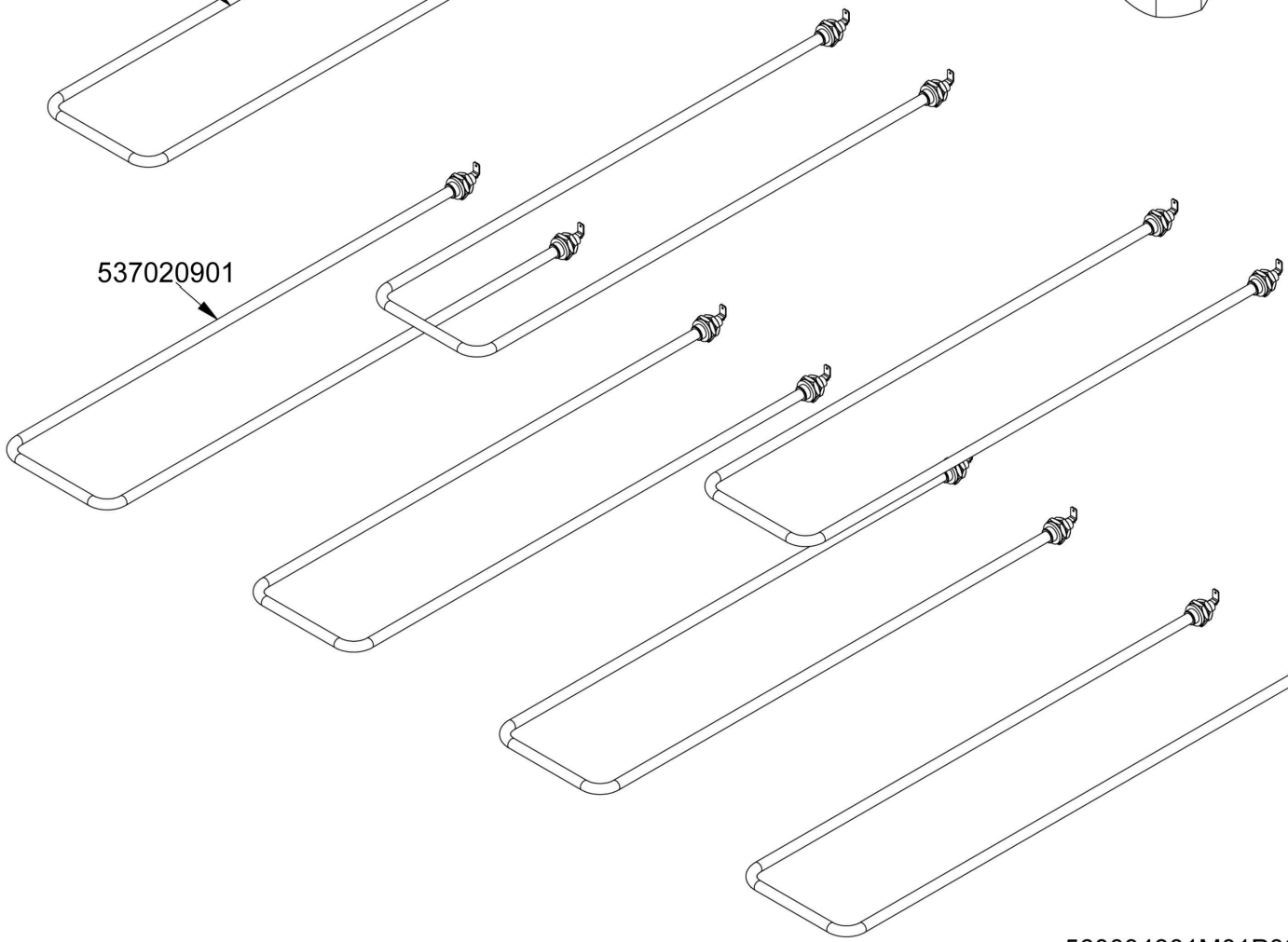
533010800

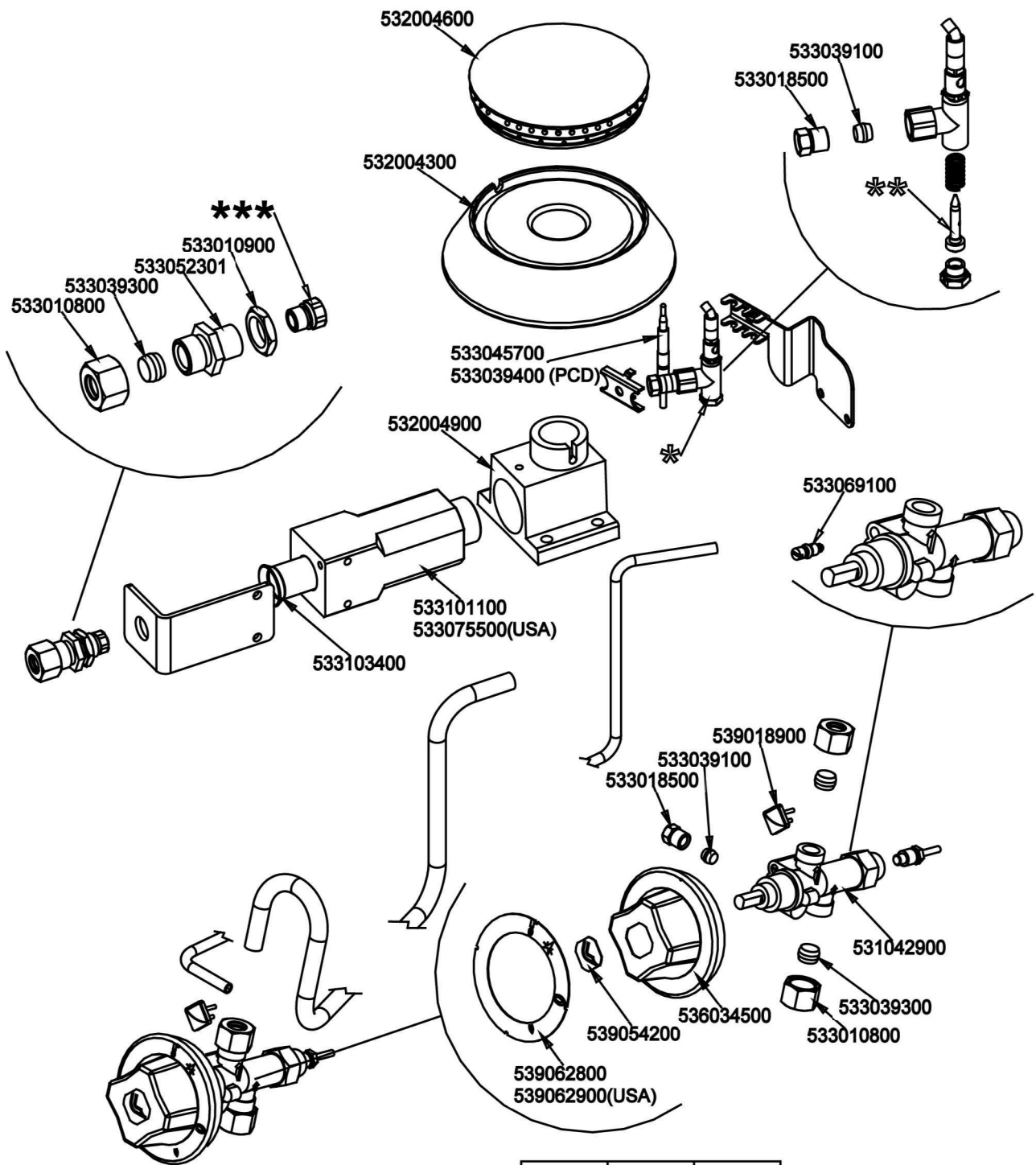


537025400

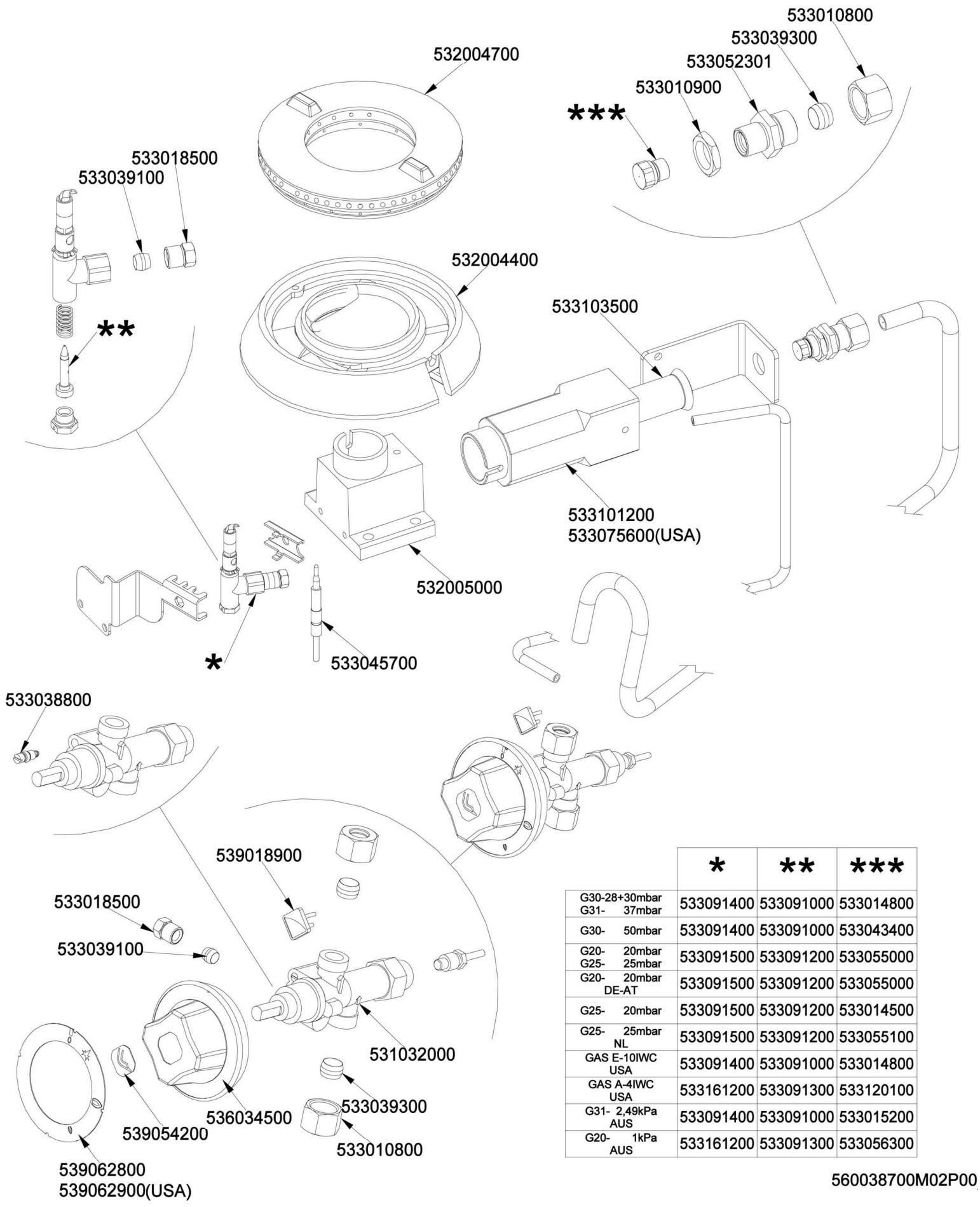


537020901



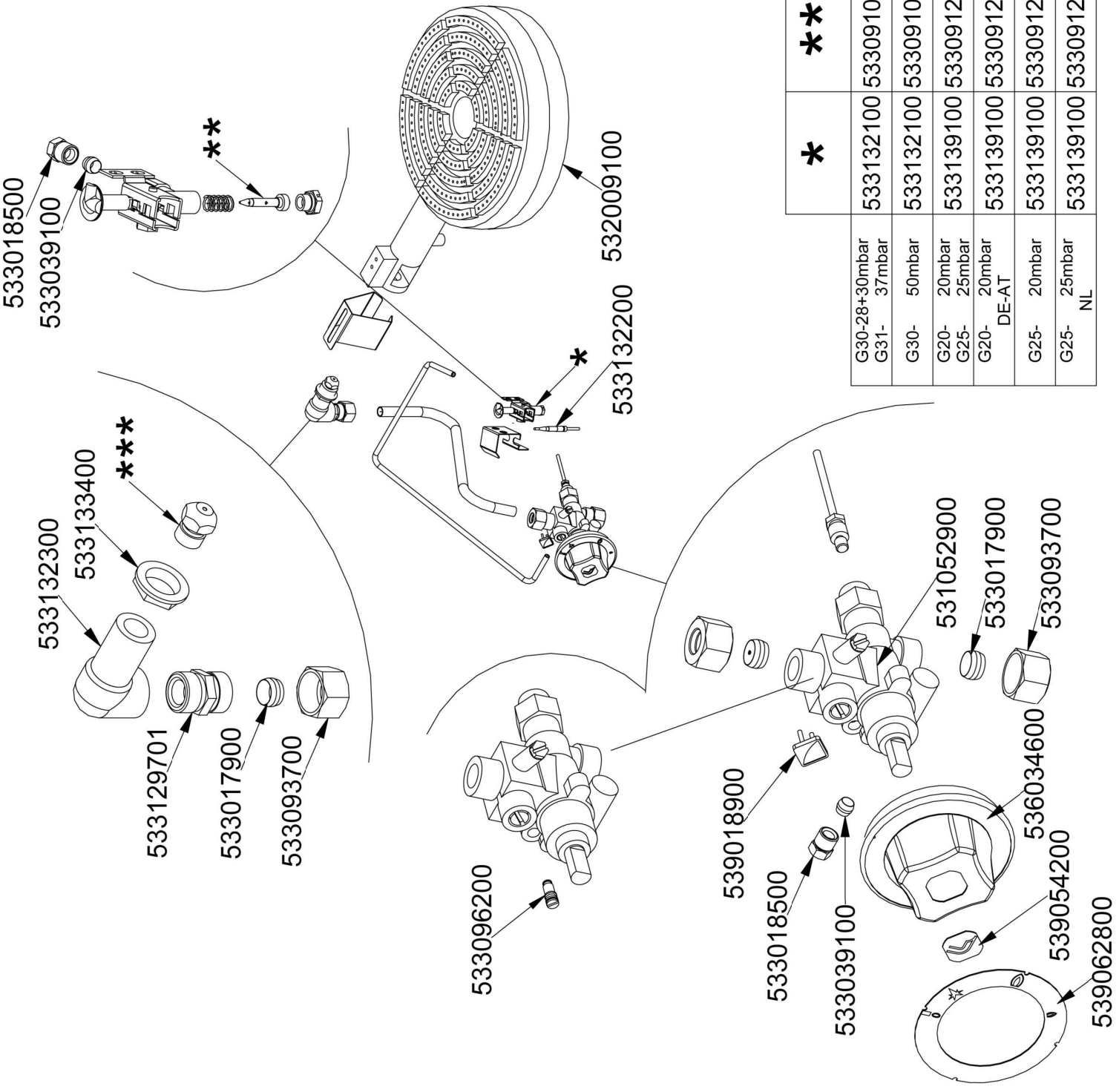


	*	**	***
G30-28+30mbar G31- 37mbar	533091400	533091000	533043900
G30- 50mbar	533091400	533091000	533019300
G20- 20mbar G25- 25mbar	533091500	533091200	533031000
G20- 20mbar DE-AT	533091500	533091200	533031000
G25- 20mbar	533091500	533091200	533043500
G25- 25mbar NL	533091500	533091200	533019400
GAS E-10IWC USA	533091400	533091000	533043200
GAS A-4IWC USA	533161200	533091300	533043100
G31- 2,49kPa AUS	533091400	533091000	533043900
G20- 1kPa AUS	533161200	533091300	533043500



	*	**	***
G30-28+30mbar G31- 37mbar	533091400	533091000	533014800
G30- 50mbar	533091400	533091000	533043400
G20- 20mbar G25- 25mbar	533091500	533091200	533055000
G20- 20mbar DE-AT	533091500	533091200	533055000
G25- 20mbar	533091500	533091200	533014500
G25- 25mbar NL	533091500	533091200	533055100
GAS E-10IWC USA	533091400	533091000	533014800
GAS A-4IWC USA	533161200	533091300	533120100
G31- 2,49kPa AUS	533091400	533091000	533015200
G20- 1kPa AUS	533161200	533091300	533056300

560038700M02P00



	*	**	***
G30-28+30mbar G31- 37mbar	533132100	533091000	533141200
G30- 50mbar	533132100	533091000	533141100
G20- 20mbar G25- 25mbar	533139100	533091200	533141400
G20- 20mbar DE-AT	533139100	533091200	533141400
G25- 20mbar	533139100	533091200	533141600
G25- 25mbar NL	533139100	533091200	533141500

Page	Pos	Code	Description
001		532004100	FLUE GRID L=370 90LINE (RAF
001		541135300	LOW SPACER 712 3 GRIDS
001		544384300	
001		531047000	2 BURNER GRID FOR PC-700
001		544333600	
001		544173300	LEFT SIDE PANEL RANGE S.70
001		541120401	CONTROL PANEL S70/90 TPF2-912GE/GEV
001		537027400	TERMINAL BLOCK THREEPHASE 40A
001		544173200	RIGHT SIDE PANEL RANGE S.70
001		536005200	INOX LEG 2" 120-180 M10
002		544187100	OVEN INNER DOOR GN 2/1 70/90LINE
002		531022800	LEFT OVEN DOOR HINGE S.70
002		531013100	OVEN DOOR HANDLE OF 70/90-LINE
002		544186900	OVEN DOOR GN 2/1 70/90LINES
002		531022700	RIGHT OVEN DOOR HINGE 70LINE
002		531022900	HINGE DOOR WHEEL HOLDER S.70
002		541102300	GAS OVEN INNER DOOR GN 3/1 S.70
002		544187000	OVEN DOOR GN 3/1 S.70
003		533037600	LOCK SPRING FOR BULB
003		536010901	GAS OVEN GASKET GN 3/1 (1668
003		531030500	LHD SUPPORT GRID FOR OVEN OF 70LINE
003		544365200	70 ELECTRICAL OVEN BOTTOM GN3/1
003		531030300	OVEN GRID GN 3/1 FOR 70 LINE
003		531030400	RHD SUPPORT GRID FOR OVEN OF 70LINE
004		537012800	SAFETY THERMOSTAT 420°C THREEPHASE
004		539018800	BLANK INDEX FOR KNOB
004		539028000	SELECTOR SIGN PLATE FOR OVEN
004		537034001	COMMUTATOR 4 POS.3PHASE S.42 16A
004		536034400	KNOB §77 4P. §06*4,6 C/M
004		539054200	STAMP Ø20,5 CR."L" LOTUS R.
004		539061900	ADESIVE DISK FOR SWITCH OVEN S70
004		537014200	GREEN WARNING LIGHT 250V
004		539062000	ADESIVE DISK THERMOSTAT OVEN S70
004		537000900	THERMOSTAT 063-320°C THREEPHASE
004		539023900	SIGN PLATE FOR OVEN TEMPERATURE
004		537014100	WHITE WARNING LIGHT 250V
004		533023600	TAP PLUG §10 M16*1, 5CH19
004		533039300	BICONE §10
004		533010800	TUBE NUT D.10 M16*1,5
004		537025400	OVEN UPPER HEAT.EL.W700 V230 70LINE
004		537020901	HEATING ELEMENT 1200W 230V OVEN S70
005		532004600	BURNER COVER RING R D104
005		533039100	BICONE §6
005		533018500	FITTING FOR BICONE D.6 M10*1
005		532004300	MIDDLE BURNER BODY 70LINE P.
005		533010900	NUT M14*1 H.4
005		533052301	JOINT FOR NOZZLE HOLDER
005		533039300	BICONE §10
005		533010800	TUBE NUT D.10 M16*1,5
005		533045700	THERMOCOUPLE M9*1 500
005		533039400	THERMOCOUPLE M9*1*850

Page	Pos	Code	Description
005		532004900	ELBOW FITTING OF BURNER VENTURI R
005		533069100	BY PASS COCK §60 20S
005		533101100	BURNER VENTURI R
005		533075500	BURNER VENTURI 5,5KW S70 USA
005		533103400	AIR ADJUSTMENT BUSHING D20 EST.H57
005		539018900	INDEX FOR KNOB W/RED SIGN
005		531042900	B.PASS §60 SAFETY COCK PC/CF 90
005		539054200	STAMP Ø20,5 CR."L" LOTUS R.
005		539062800	RED STICKING DISK 72
005		539062900	RED STICKING DISK 72 USA
005		533091400	P.NOZZLE S100 UG.§20 PC90 LPG-FLUS
005		533091500	PILOT NOZZLE S.100 §30 PC90 NAT.GAS
005		533091000	NOZZLE 0.100 §20
005		533091200	PILOT NOZZLE 0100 Ø35 PIL.PC
005		533091300	PILOT NOZZLE 0100 Ø40 PIL.PC
005		533043900	NOZZLE §115 CH12*14 F-CW4
005		533019300	NOZZLE §100 G-FQ5 F-CW
005		533031000	NOZZLE §175 CH12X14
005		533043500	NOZZLE §190 CH12*14 G25 PC4R
005		533019400	NOZZLE §180 CH12*14 L-FQ5
005		533043200	NOZZLE §110 G30 (LPG) CH12X14
005		533043100	NOZZLE §185 G25 CH12X14
006		533010800	TUBE NUT D.10 M16*1,5
006		533039300	BICONE §10
006		533052301	JOINT FOR NOZZLE HOLDER
006		532004700	BURNER COVER RING UR D128
006		533010900	NUT M14*1 H.4
006		533018500	FITTING FOR BICONE D.6 M10*1
006		533039100	BICONE §6
006		532004400	BIG BURNER BODY 70LINE P.
006		533103500	AIR ADJUSTMENT BUSHING D22 EST.H57
006		533101200	BURNER VENTURI UR
006		533075600	BURNER VENTURI 7,5KW S70 USA
006		532005000	ELBOW FITTING OF BURNER VENTURI UR
006		533045700	THERMOCOUPLE M9*1 500
006		533038800	75 BY-PASS FOR 21S TAP
006		539018900	INDEX FOR KNOB W/RED SIGN
006		531032000	GAS COCK P.V.BY-PASS Ø075
006		536034500	KNOB §77 4P. §08*6,5
006		539054200	STAMP Ø20,5 CR."L" LOTUS R.
006		539062800	RED STICKING DISK 72
006		539062900	RED STICKING DISK 72 USA
006		533091400	P.NOZZLE S100 UG.§20 PC90 LPG-FLUS
006		533091500	PILOT NOZZLE S.100 §30 PC90 NAT.GAS
006		533091000	NOZZLE 0.100 §20
006		533091200	PILOT NOZZLE 0100 Ø35 PIL.PC
006		533091300	PILOT NOZZLE 0100 Ø40 PIL.PC
006		533014800	NOZZLE §135 CH12*14,0
006		533043400	NOZZLE §117 CH12*14 G-PC4 UR
006		533055000	NOZZLE §205 CH12*14 G25 CW4
006		533014500	NOZZLE §225 CH12*14 OVEN GN 2/1

Page	Pos	Code	Description
006		533055100	NOZZLE §215 CH12*14 L-CW4
006		533120100	NOZZLE §210 CH12*14,0
006		533015200	NOZZLE §145 CH12*14 F-FP/CP6
006		533056300	NOZZLE §240 CH12*14
007		533132300	
007		533018500	FITTING FOR BICONE D.6 M10*1
007		533133400	DADO PER RUBINETTO 22SV 1/2G
007		533039100	BICONE §6
007		533129701	FITTING M20X1,5 PIPE Ø12 PA
007		533017900	BICONE D.12
007		533093700	HEXAGONAL NUT M20X1,5
007		533096200	
007		533132200	
007		532009100	BURNER PA-78G 11,5KW
007		539018900	INDEX FOR KNOB W/RED SIGN
007		539062800	RED STICKING DISK 72
007		539054200	STAMP Ø20,5 CR."L" LOTUS R.
007		536034600	KNOB §77 4P. §10*8
007		531052900	RUB.GAS 22SV P.V.BY-P.Ø00
007		533132100	PILOT 0100 2F
007		533139100	PILOT 0100 2F
007		533091000	NOZZLE 0.100 §20
007		533091200	PILOT NOZZLE 0100 Ø35 PIL.PC
007		533141200	NOZZLE CH16*21 §170
007		533141100	NOZZLE CH16*21 §150
007		533141400	NOZZLE CH16*21 §250
007		533141600	NOZZLE CH16*21 §270
007		533141500	NOZZLE CH16*21 §255