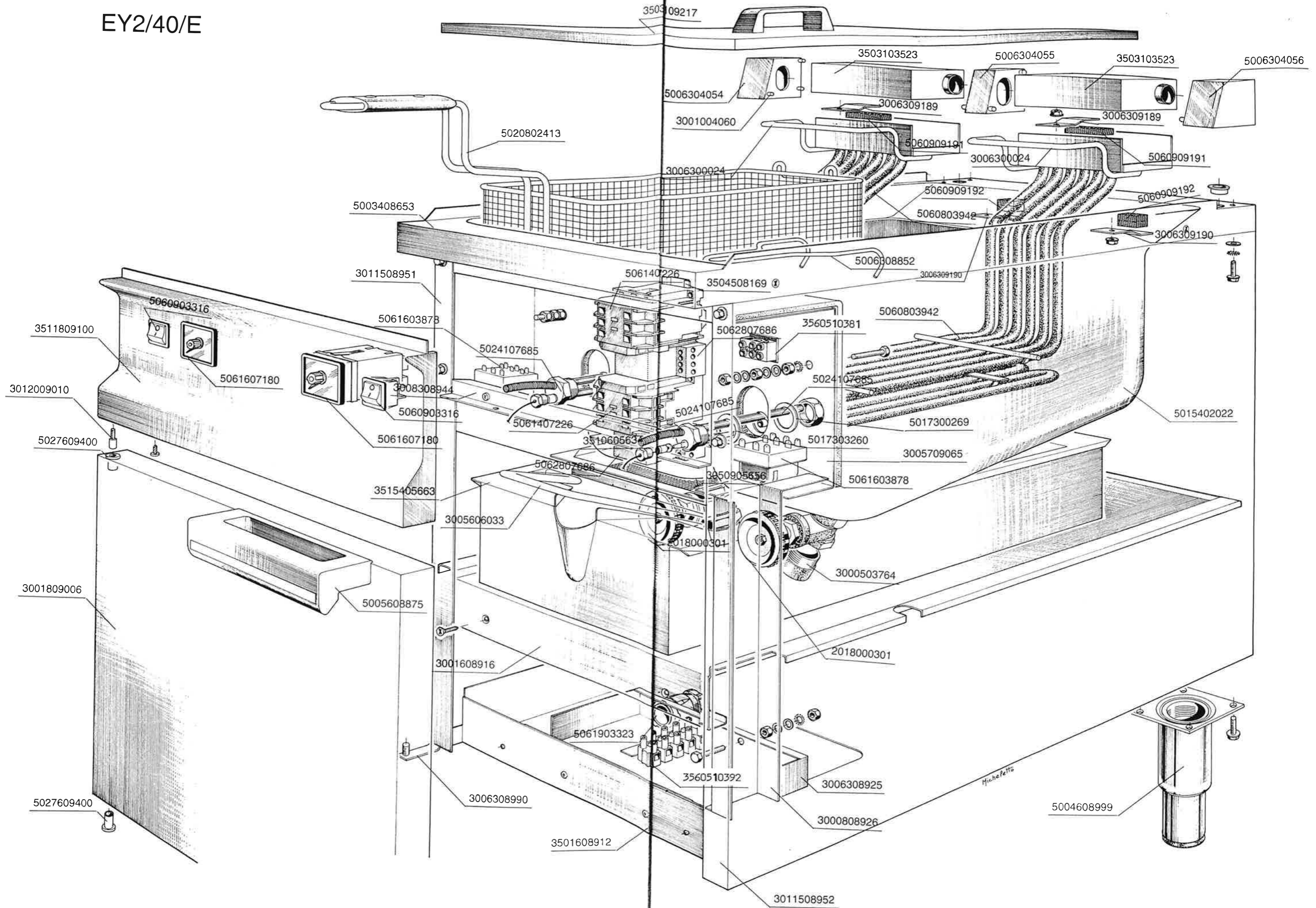


EY2/40/E



0103910038

ELEKTRO FRITEUSE

FRIGGITRICE ELETTRICA

ELECTRIC FRYER

FRITEUSE ELECTRIQUE

EY2/40 E PAG.1

| COD. | BESCHREIBUNG | DESCRIZIONE | DESCRIPTION | DESCRIPTION | QUANT. | |
|------------|--------------------------|----------------------------|-------------------------|---------------------------|------------|---|
| 2018000301 | HAHN SCHIEBER | SARACINESCA | COCK | VANNE | 1" | 2 |
| 3000500538 | ROHR ÖLABLAUF | TUBO SCARICO OLIO | OIL DRAIN PIPE | TUYAU DECHARGE HUILE | EF/FE2/40 | 2 |
| 3000503764 | ROHRSTUTZEN ÖLABLAUF | TRONCHETTO SCARICO OLIO | OIL DRAIN STUB | TUBULURE DECHARGE HUILE | EF/FE2/40 | 2 |
| 3000808926 | ABDECKUNG KABEL | PROTEZIONE CAVI | WIRING PROTECTION | PROTECTION CABLES | CP/75 | 1 |
| 3000809018 | ABDECKUNG BODEN ELT. | COPERTURA FONDO ELT. | BOTTOM COVER ELEC. | PROTECTION FOND ELEC. | CP/75 | 1 |
| 3000809045 | ABDECKUNG SCHALT. LINKS | PROTEZIONE PANN. SINISTRA | PAN. PROTECTION LEFT | PROTECTION PANN. GAUCHE | CP/75 | 1 |
| 3000809046 | ABDECKUNG SCHALT. RECHTS | PROTEZIONE PANN. DESTRA | PAN. PROTECTION RIGHT | PROTECTION PANN. DROITE | CP/75 | 1 |
| 3000809104 | ABDECKUNG KABEL OBEN | PROTEZIONE CAVI SUPERIORE | WIRING PROTECTION ABOV. | PROTECTION CABLES HAUT | EY2/40/E | 2 |
| 3000809209 | ABDECKUNG E-ANLAGE | PROTEZIONE ELETTR. | ELEC. PROTECTION | PROTECTION ELEC. | EY/35/40/E | 1 |
| 3001004060 | ANSCHLAG HEIZKÖRPER | BATTUTA RESISTENZA | HEAT. ELEM. LEDGE | BUTEE RESISTANCE | FE | 8 |
| 3001608916 | BODEN INNEN | FONDO INTERNO | BOTTOM INTERNAL | FOND INTERNE | CP/40 | 1 |
| 3001809006 | BLENDE TÜR LINKS | BOMBATO PORTINA SINISTRA | CONV. DOOR SECT. LEFT | PORTE BOMBEE GAUCHE | CP/40 | 1 |
| 3003009156 | DISTANZSTÜCK EINFASSUNG | DISTANZIALE PIANO | HOB SPACER | ENTRETOISE PLAN | CP/75 | 4 |
| 3003009287 | DISTANZSTÜCK BODEN | DISTANZIALE FONDO | BOTTOM SPACER | FOND PIECE INTERCALAIRE | CP/40 | 1 |
| 3003408963 | EINFASSUNG-VERBINDUNG | CANALETTO CONGIUNZIONE | CONNECTION STRIP | BANDE RACCORD | CP/75 | 1 |
| 3005606033 | GRIFF ÖLLADE VORNE | MANIGLIA VASCA OLIO ANTER. | OIL PAN HANDLE FRONT | POIGNEE CUVE HUILE DEVANT | FG/GF | 1 |
| 3005606034 | GRIFF ÖLLADE HINTEN | MANIGLIA VASCA OLIO POST. | OIL PAN HANDLE REAR | POIGNEE CUVE HUILE ARRIE. | FG/GF | 1 |
| 3005709009 | GEGENBLENDE TÜR | CONTROBOMBATO PORTINA | DOOR COUNTER-SECT. | INTERIEUR PORTE | S/40 | 1 |
| 3005709065 | GEGENBLENDE OBEN | CONTROPANNELLO SUPER. | COUNTER-SECT. ABOVE | INTERIEUR HAUT | EY/40 | 1 |
| 3006300024 | HALTER FRITEUSE KORB | SUPPORTO CESTO FRIGGIT. | FRYER BASKET SUPPORT | SUPPORT PANIER FRITEUSE | EF/35/40 | 2 |
| 3006308358 | HALTER ISOLIERUNG | SUPPORTO ISOLAZIONE | INSULATION SUPPORT | SUPPORT ISOLATION | EY/FE | 2 |
| 3006308925 | HALTER KLEMME | SUPPORTO MORSETTO | TERMINAL SUPPORT | SUPPORT BORNE | CP/75 | 1 |
| 3006308962 | HALTER VERBINDUNG | SUPPORTO CANALETTO | CONNECTION SUPPORT | SUPPORT RACCORD | CP/75 | 3 |
| 3006308990 | HALTER SCHARNIER UNTEN | SUPPORTO CERNIERA INF. | HINGE SUPPORT BELOW | SUPPORT CHARNIERE INF. | CP/75 | 1 |
| 3006309103 | HALTER GERÄTE | SUPPORTO APPARECCHIAT. | UNITS SUPPORT | SUPPORT APPAREILS | CP/75 | 1 |
| 3006309189 | HALTER ENDSCHALTER | SUPPORTO FINECORSIA | LIMIT SWITCH SUPPORT | SUPPORT FIN DE COURSE | EY/FE | 2 |
| 3006309190 | HALTER MAGNET | SUPPORTO CALAMITA | MAGNET SUPPORT | SUPPORT AIMANT | EY/FE | 2 |
| 3008308944 | TRÄGER LÄNGS VORNE | PORTANTE LONG. ANTERIORE | MEMBER ALONG FRONT | PORTANT LONG DEVANT | CP/40 | 1 |
| 3009708932 | RÜCKWAND | SCHIENA | BACK | DOS | CP/40 | 1 |
| 3011508951 | SEITENWAND UBO LINKS | FIANCO APERTO SINISTRA | OPEN SIDE LEFT | COTE OUVERT GAUCHE | CP/75 | 1 |
| 3011508952 | SEITENWAND UBO RECHTS | FIANCO APERTO DESTRA | OPEN SIDE RIGHT | COTE OUVERT DROITE | CP/75 | 1 |
| 3012009010 | SCHARNIER OBEN | CERNIERA SUPERIORE | HINGE ABOVE | CHARNIERE HAUT | CP/75 | 1 |
| 3014208957 | VERSTÄRKUNG GRIFF | RINFORZO MANIGLIA | RENFORCING HANDLE | RENFORT POIGNEE | S/75 | 1 |
| 3029709146 | MAGNET-GEGENSTÜCK | RISCONTRO CALAMITA | MAGNET COUNTERPART | AIMANT PENDANT | CP/75 | 1 |

| ERSATZTEILLISTE | | LISTA PARTICOLARI | | LIST OF PARTS | | LIST DES COMPOSANTS | | 06.1993 |
|-----------------------------|--------------------------|---------------------------|--------------------------|---------------------------|--------------|---------------------|--------|----------------|
| 0103910038 ELEKTRO FRITEUSE | | FRIGGITRICE ELETTRICA | | ELECTRIC FRYER | | FRITEUSE ELECTRIQUE | | EY2/40 E PAG.2 |
| COD. | BESCHREIBUNG | DESCRIZIONE | DESCRIPTION | DESCRIPTION | DESCRIPTION | | QUANT. | |
| 3041803528 | SCHRAUBE HEIZKÖRPER | VITE RESISTENZA CROM. | HEAT. ELEM. SCREW | VIS DE RESISTANCE | EF | | 4 | |
| 3050905656 | ÖL-SCHWAPPFILTER | FILTRO OLIO | OIL FILTER | FILTRE HUILE | FG/FE/GF | | 2 | |
| 3501608912 | BODEN AUSSEN | FONDO ESTERNO | BOTTOM EXTERNAL | FOND EXTERNE | CP/40 | | 1 | |
| 3503103523 | DECKEL KLEMME | COPERCHIO MORSETTO | TERMINAL COVER | COUVERCLE BORNE | EF/40FE2/40 | | 2 | |
| 3503109217 | DECKEL | COPERCHIO | COVER | COUVERCLE | EY/40/E | | 1 | |
| 3504508169 | SCHIENE GELOCHT 195 MM | GUIDA FORATA 195 MM | DRILLED GUIDE 195 MM | GUIDE A TROUS 195 MM | FE2/40/E | | 1 | |
| 3510605634 | RAHMEN ÖLSIEB | TELAIO FILTRAOLIO | OIL FILTER FRAME | CHASSIS FILTRE HUILE | FG/GF | | 1 | |
| 3511809100 | SCHALTBLENDE | PANNELLO COMANDO | CONTROL PANEL | PANNEAU COMMANDE | EY2/40/E | | 1 | |
| 3515405663 | WANNE ÖLABLAUF | VASCA SCARICO OLIO | OIL DRAIN PAN | CUVE DECHARGE HUILE | FG/GF | | 1 | |
| 3560510381 | ANSCHLUSSKLEMME 3 POLIG | MORSETTIERA 3 POLI | TERMINAL 3 POLE | BORNE 3 POLES | PA/44SEZ 4 | | 1 | |
| 3560510384 | ANSCHLUSSKLEMME 6 POLIG | MORSETTIERA 6 POLI | TERMINAL 6 POLE | BORNE 6 POLES | PA/44SEZ 4 | | 1 | |
| 3560510392 | ANSCHLUSSKLEMME 5 POLIG | MORSETTIERA 5 POLI | TERMINAL 5 POLE | BORNE 5 POLES | PA/220SEZ16 | | 1 | |
| 5003408653 | EINFASSUNG | PIANO COTTURA | HOB | PLAN DE CUISSON | EY2/40 | | 1 | |
| 5004608999 | FUSS RUND 1 1/2" | PIEDINO TONDO 1 1/2" | FOOT ROUND 1 1/2" | PIED ROND 1 1/2" | CP/75 | | 4 | |
| 5005608875 | GRIFF TÜR | MANIGLIA PORTA | DOOR HANDLE | POIGNEE PORTE | CP/75 | | 1 | |
| 5006304054 | HALTER HEIZKÖRPER LINKS | SUPPORTO RESIST. SINISTRA | HEAT. ELEM. SUPPORT LEFT | SUPPORT RESISTANCE GAUC. | EF/FE | | 1 | |
| 5006304055 | HALTER HEIZKÖRPER MITTE | SUPPORTO RESIST. CENTRALE | HEAT. ELEM. SUP. CENTRE | SUPPORT RESISTANCE CENTR. | EF/FE | | 1 | |
| 5006304056 | HALTER HEIZKÖRPER RECHTS | SUPPORTO RESIST. DESTRA | HEAT. ELEM. SUPPORT RIG. | SUPPORT RESISTANCE DROI. | EF/FE | | 1 | |
| 5006308852 | SCHWENKHAKEN | GANCIO PER RESISTENZA | SWIVEL HOOK | PIVOTANT CROCHET | EY/FE | | 1 | |
| 5013525738 | KABELSATZ | IMPIANTO CAVI ELT. | WIRING SYSTEM | INSTAL. CABLES ELEC. | EY2/40/E | | 1 | |
| 5015402022 | WANNE FRITEUSE | VASCHETTA FRIGGITRICE | FRYER PAN | COUVETTE FRITEUSE | EY/EF/35/40 | | 2 | |
| 5017300269 | DICHTUNG CU | GUARNIZIONE CU | GASKET CU | JOINT TORIQUE CU | 21,5x28x1,5 | | 2 | |
| 5017303260 | DICHTUNG CALORIT | GUARNIZIONE CALORIT | GASKET CALORIT | JOINT TORIQUE CALORIT | D=20x26x2 | | 2 | |
| 5020802413 | KORB FRITEUSE | CESTELLO FRIGGITRICE | FRYER BASKET | PANIER FRITEUSE | S/70 | | 2 | |
| 5024107685 | THERMOFÜHLER JUMO | TERMOCOPPIA + GUAINA | THERMOCOUP. + SHEATH | THERMOCOUPLE + GAIN. | EF/FE/E | | 2 | |
| 5026609014 | PROFIL PVC | PROFILO PVC | PROFILE PVC | PROFIL PVC | F044 | | 0,7 | |
| 5027609400 | ROLLE KUNSTSTOFF GERÄTE | BOCCOLA NYLON | BUSHING NYLON | BOUCLE NYLON | 66 NATURAL | | 2 | |
| 5029709133 | MAGNET TÜR | MAGNETE PORTINA | DOOR MAGNET | AIMANT PORTE | S/75 | | 1 | |
| 5060803942 | HEIZKÖRPER 5000W | RESISTENZA 5000W | HEAT. ELEM. 5000W | RESISTANCE 5000W | EY/40E-EF/40 | | 2 | |
| 5060903316 | SCHALTER DREEFS | INTERRUTTORE DREEFS | SWITCH DREEFS | INTERRUPTEUR DREEFS | 250V 16A | | 2 | |
| 5060909191 | ENDSCHALTER MAGNET | FINE CORSA MAGNETICO | LIMIT SWITCH MAGNET | FIN DE COURSE AIMANT | EY/FE | | 2 | |
| 5060909192 | MAGNET FÜR ENDSCHALTER | MAGNETE PER FINE CORSA | MAGNET FOR LIMIT SWITCH | AIMANT POUR FIN DE COURSE | EY/FE | | 4 | |
| 5061407226 | SCHÜTZ | CONTATTORE | CONTACTOR | CONTACTEUR | C25 220V | | 2 | |
| 506160778 | SICHERHEITSTHERMOSTAT | TERMOSTATO LIMITATORE | LIMITER THERMOSTAT | THERMOSTAT LIMITEUR | EY | | 2 | |

| | ERSATZTEILLISTE | LISTA PARTICOLARI | LIST OF PARTS | LIST DES COMPOSANTS | 06.1993 |
|------------|------------------------|-----------------------|-----------------------|------------------------|------------------------------------|
| | 0103910038 | ELEKTRO FRITEUSE | FRIGGITRICE ELETTRICA | ELECTRIC FRYER | FRITEUSE ELECTRIQUE EY2/40 E PAG.3 |
| COD. | BESCHREIBUNG | DESCRIZIONE | DESCRIPTION | DESCRIPTION | QUANT. |
| 5061607180 | ELEKTRON. TEMP. REGLER | TERMOREGOLATORE ELET. | ELEC. THERMOREGULATOR | THERMOREGULATEUR ELEC. | JUMO 200° C 2 |
| 5061903323 | ZUGENTLASTER | PASSACAVI BACHEL. | PULL RELIEF | DECHARGE DE TRACTION | PG/21 N106 1 |
| 5061903543 | KABELDURCHLASS | BOCCOLA SEMIAPERTO | BUSHING SEMI-OPEN | COUSSINET SEMI-OUVERT | HEYCO D=22 5 |
| 5062807686 | TRANSFORMATOR | TRASFORMATORE | TRANSFORMER | TRANSFORMATEUR | JUMO8840/11 2 |
| 5209100364 | KARTON SET FÜSSE | IMBALLO SET PIEDINI | CARTON SET FEETS | CARTON SET PIEDS | 270x270x150 1 |