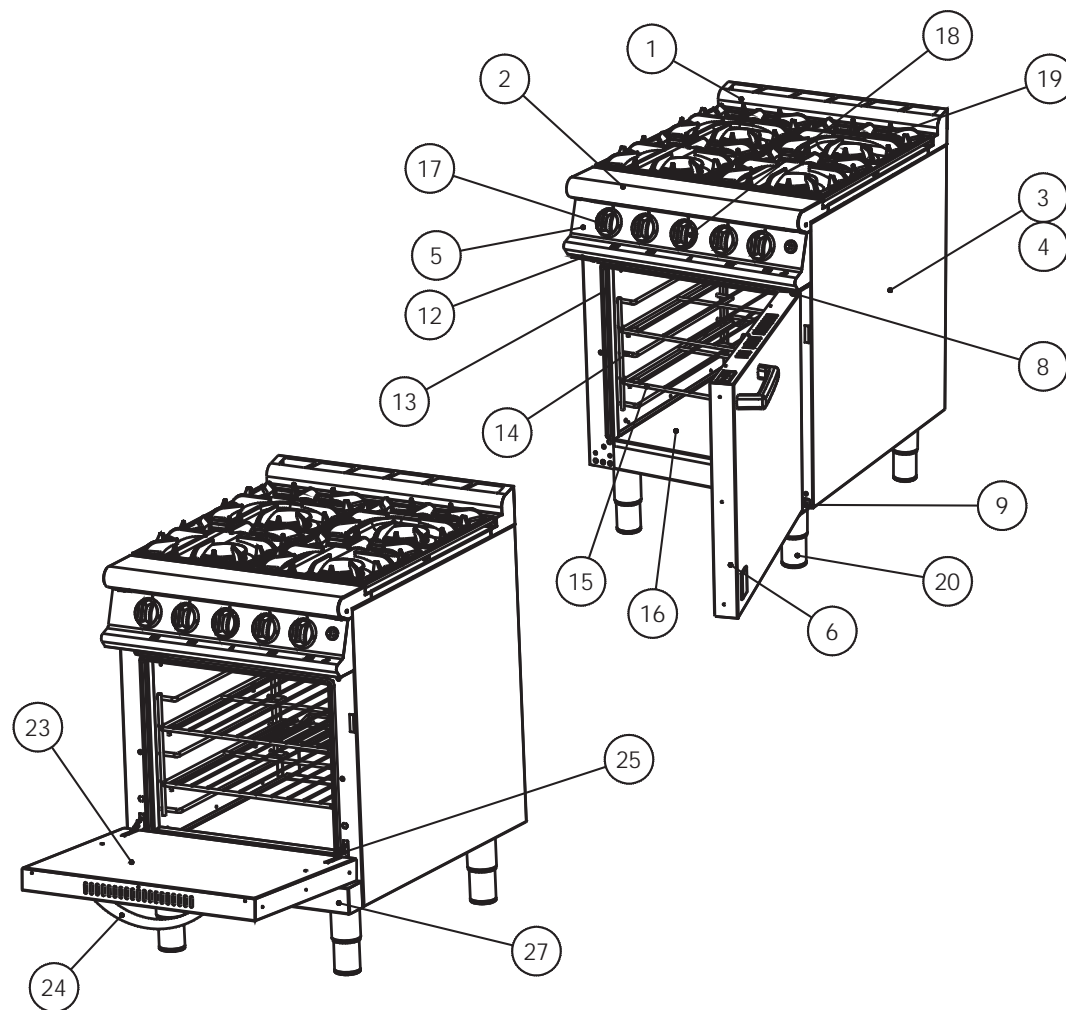


# DOMINATOR PLUS



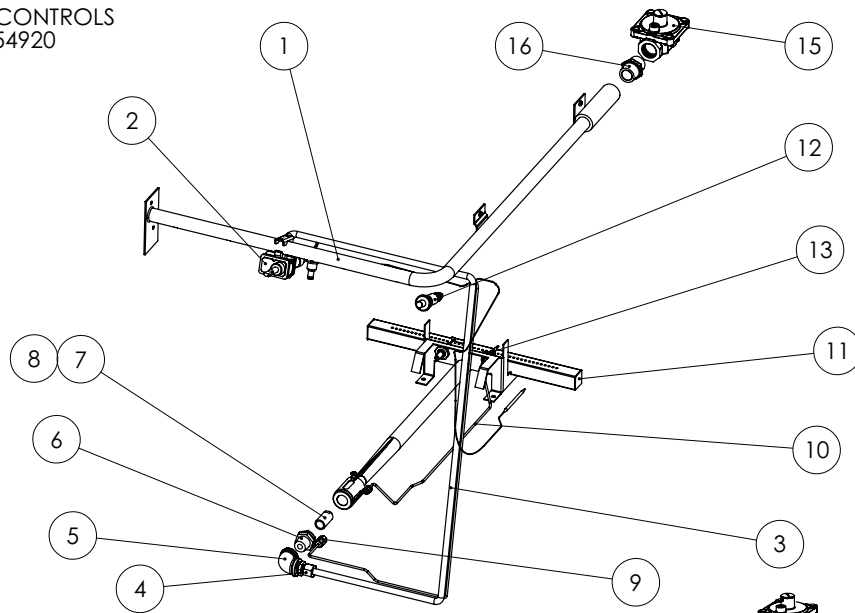
ITEM	DESCRIPTION	G3161	G3161D
		SPARES No	
1	REAR HOB RAIL	535330005	
2	FRONT HOB RAIL	535330006	
3	RH OUTER SIDE PANEL	535200001	
4	LH OUTER SIDE PANEL	535200000	
5	CONTROL PANEL	535330007	
6	RH HINGED DOOR ASSEMBLY (STANDARD)	535330008	N/A
6.1	DOOR HANDLE	535290022	N/A
6.2	DOOR CATCH	535480054	N/A
6.3	DOOR HINGE BUSH	535480077	N/A
7	LH HINGED DOOR ASSEMBLY (OPTION NOT SHOWN)	535330009	N/A
7.1	DOOR HANDLE	535290022	N/A
7.2	DOOR CATCH	535480054	N/A
7.2	DOOR HINGE BUSH	535480077	N/A
8	TOP DOOR HINGE - RH (STANDARD)	535200008	N/A
9	BOTTOM DOOR HINGE - RH (STANDARD)	535200009	N/A
10	TOP DOOR HINGE - LH (OPTION NOT SHOWN)	535200006	N/A
11	BOTTOM DOOR HINGE - LH (OPTION NOT SHOWN)	535200007	N/A
12	DOOR KATCH KEEPER	535480096	N/A
13	DOOR SEAL	535241010	
14	OVEN SHELF HANGER	535200012	
15	OVEN SHELF	535330010	
16	OVEN BASE TRAY	535330011	535290049
17	O/T CONTROL KNOB	535290025	
18	OVEN CONTROL KNOB	535290026	
19	PAN SUPPORT	535290027	
20	ADJUSTABLE FOOT	535290028	
21	REAR FIXED CASTOR (NOT SHOWN)	534103055	
22	FRONT SWIVEL CASTOR (NOT SHOWN)	530964350	
23	OVEN DOOR ASSY	N/A	535290045
24	OVEN DOOR HANDLE	535290046	
25	DOOR HINGE SET	N/A	535290038
26	DOOR HINGE PLATE SET (NOT SHOWN)	N/A	535290039
27	BOTTOM SKIRT PANEL	N/A	535290047



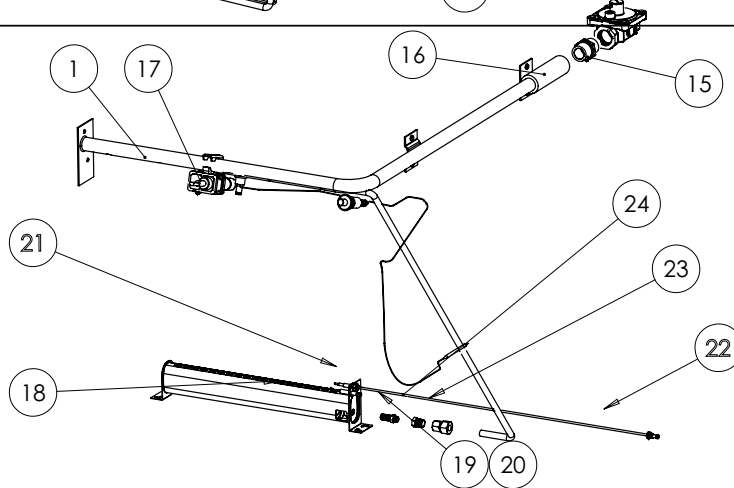
Issue	Alteration	Date	Product	Document Reference
B	Initial Issue	06/03/13	G3161/61D	AA48642

# DOMINATOR PLUS

OVEN CONTROLS  
PRE F554920



OVEN CONTROLS  
POST F554920

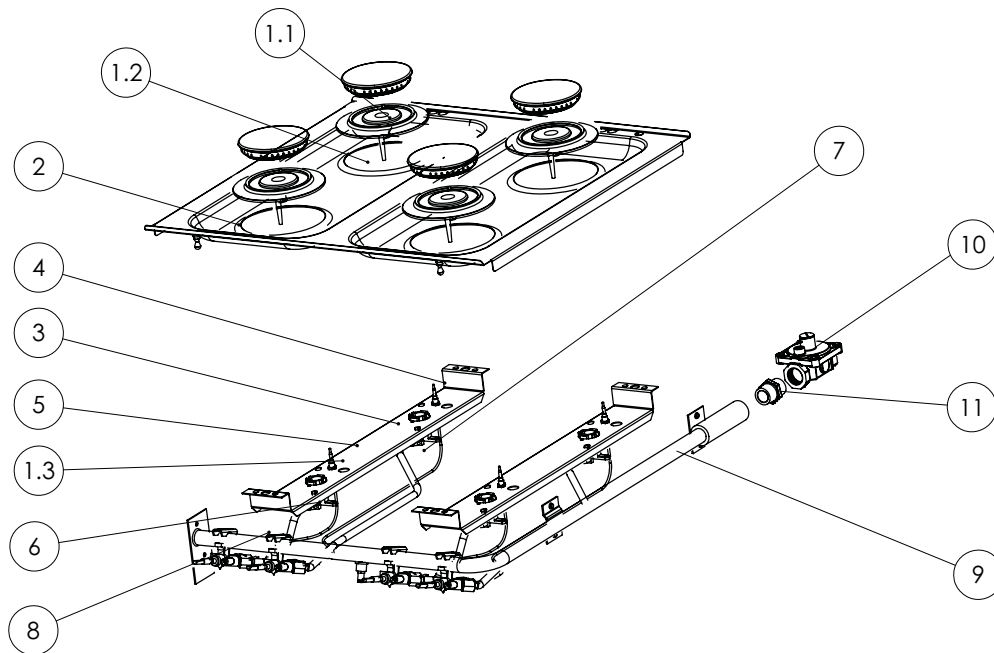


ITEM	DESCRIPTION	SPARES No
		G3161/D
1	FLOATRAIL	535330000
2	OVEN THERMOSTAT NAT GAS & PROPANE (PRE F554920)	535241007
2.1	10MM OLIVE	535290012
2.2	TUBE NUT	535290013
2.3	NAT GAS BYPASS SCREW (60) (PRE F554920)	535330002
2.4	PROPANE BYPASS SCREW (44) (PRE F554920)	535330003
3	OVEN FLEXI PIPE C/W OLIVES	535480082
4	OVEN PIPE COUPLING(PRE F554920)	535480042
5	ELBOW (PRE F554920)	535480041
6	INJECTOR HOLDER (PRE F554920)	535480035
7	OVEN BURNER INJECTOR NAT GAS (PRE F554920)	535480038
8	OVEN BURNER INJECTOR PROPANE (PRE F554920)	535480039
9	OVEN THERMOCOUPLE EXTENSION (PRE F554920)	535400120
10	OVEN THERMOCOUPLE (PRE F554920)	535400180
11	OVEN BURNER (PRE F554920)	535330004
12	OVEN PIEZO IGNITER (PRE F554920)	535010000
13	OVEN IGNITION ELECTRODE (PRE F554920)	535480033
14	OVEN IGNITION LEAD (NOT SHOWN) (PRE F554920)	535290016
15	GOVERNOR	535480015
16	3/4" FITTING	535480016
17	OVEN THERMOSTAT NAT GAS & PROPANE (POST F554920)	535241011
17.1	10MM OLIVE	535290012
17.2	TUBE NUT	535290013
17.3	NAT GAS BYPASS SCREW (76) (POST F554920)	535290008
17.4	PROPANE BYPASS SCREW (51) (POST F554920)	535290009
18	OVEN BURNER (POST F554920)	535290055
19	OVEN BURNER INJECTOR (NAT GAS) (POST F554920)	535290056
20	OVEN BURNER INJECTOR (PROPANE) (POST F554920)	535290057
21	OVEN IGNITION ELECTRODE (POST F554920)	535290059
22	OVEN THERMOCOUPLE (POST F554920)	535290058
23	OVEN BURNER COUPLING (POST F554920)	535290060
24	OVEN BURNER REDUCER (POST F554920)	535290061
25	OVEN IGNITION LEAD (NOT SHOWN) (POST F554920)	535290063
	CONVERSION KIT NAT GAS TO PROPANE (PRE F554920)	535330012
	CONVERSION KIT PROPANE TO NAT GAS (PRE F554920)	535330013
	CONVERSION KIT NAT GAS TO PROPANE (POST F554920)	535330014
	CONVERSION KIT PROPANE TO NAT GAS (POST F554920)	535330015

Issue	Alteration	Date	Product	Document Reference
B	7224	10/12/2014	G3161 oven controls	AA51836



# DOMINATOR PLUS



		G3161/D	G3124
ITEM	DESCRIPTION	SPARES No	SPARES No
1	O/T BURNER ASSEMBLY COMPLETE	535290006	535290006
1.1	O/T BURNER CAP ASSEMBLY	535290000	535290000
1.2	O/T BURNER BASE	535290001	535290001
1.3	O/T INJECTOR HOLDER NAT GAS & PROPANE	535290003	535290003
1.3.1	O/T 1.93 NAT GAS INJECTOR	535290004	535290004
1.3.2	O/T 1.2 PROPANE INJECTOR	535290005	535290005
1.3.3	8mm OLIVE	535480027	535480027
1.3.4	TUBE NUT	535480028	535480028
2	HOB PANEL	535430010	535430010
3	O/T BURNER SUPPORT BAR	535290002	535290002
4	O/T REAR THERMOCOUPLE	535480012	535480012
5	O/T FRONT THERMOCOUPLE	535480011	535480011
6	O/T FRONT FLEXI PIPE C/W OLIVES	535400045	535400045
7	O/T REAR FLEXI PIPE C/W OLIVES	535400055	535400055
8	O/T CONTROL VALVE NAT GAS & PROPANE	535200021	535200021
8.1	8MM OLIVE	535480027	535480027
8.2	TUBE NUT	535290007	535290007
8.3	NAT GAS BYPASS SCREW (76)	535290008	535290008
8.4	PROPANE BYPASS SCREW (51)	535290009	535290009
9	FLOAT RAIL	535330000	535360000
10	GOVERNOR	535480015	535480015
11	3/4" FITTING	535480016	535480016
	CONVERSION KIT NAT GAS TO PROPANE (PRE F554920)	535330012	535360003
	CONVERSION KIT PROPANE TO NAT GAS (PRE F554920)	535330013	535360004
	CONVERSION KIT NAT GAS TO PROPANE (POST F554920)	535330014	535360003
	CONVERSION KIT PROPANE TO NAT GAS (POST F554920)	535330015	535360004



Issue	Alteration	Date	Product	Document Reference
B	7224	10/12/2014	G3101/G3161 hob controls	AA48641