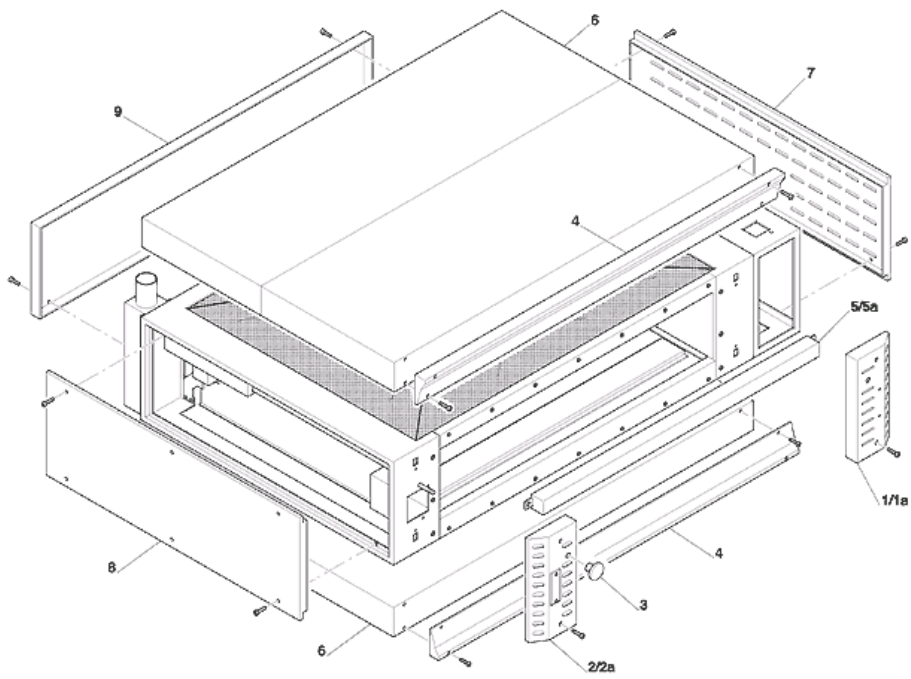




Spare Parts Catalogue Series 2000

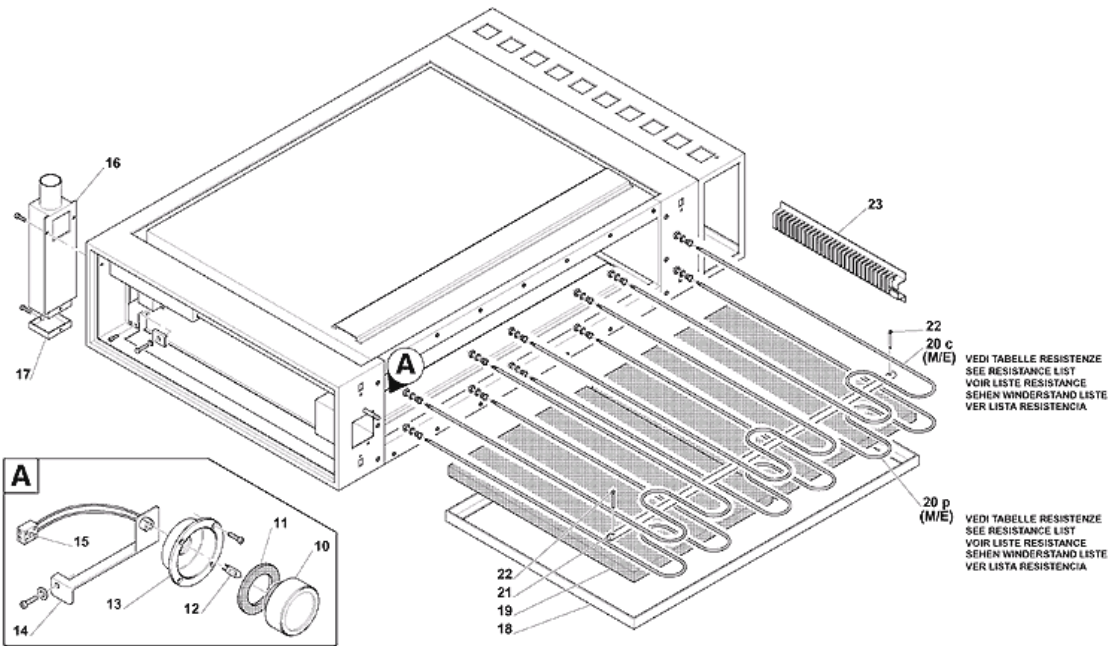
- 1 - Panels
- 2 - Oven
- 3 - Oven
- 4 - Front piece door
- 5 - Analogue panel
- 6 - Digital panel
- 7 - Heater list





1 - Panels

| POSITION | CODE | DESCRIPTION |
|----------|---------|--------------------------------|
| 0001A | WPVT020 | C.P.FRONT.DX F.S.2000R (WPRT0 |
| 0002 | WPST310 | PANNELLO FRONTALE SX ST |
| 0002A | WPVT120 | C.P.FRONT.SX F.S.2000R S(WPRT1 |
| 0003 | AC06500 | POMELLO CAMINO FORNO PL/50 M10 |
| 0004 | WSL2020 | COMP.TRAV SUP/INF 69-66 V.N. |
| 0004 | WSL25 | FLASK |
| 0004 | WSL30 | UPPER/LOWER BAR UNIT 96/99/109 |
| 0004 | WSL35 | FLASK |
| 0005 | WPSC010 | C.CAPPA F.96/99/109 STANDARD |
| 0005 | WSL06 | HOOD |
| 0005 | WSS0410 | COMP.CAPPA ST FORNO 77/1-2-3 |
| 0005 | WSS06 | CHIMNEY UNIT 66/69 STANDARD |
| 0005A | WPVC0 | HOOD |
| 0005A | WRL06 | HOOD |
| 0005A | WRS0420 | COMPL.CAPPA F.77 R SM.M |
| 0005A | WRS0620 | C.CAPPA RU 66-69/1-2-3 SM.M. |
| 0006 | WPC38 | COVER |
| 0006 | WPC48 | COVER |
| 0006 | WPC57 | COVER |
| 0006 | WPC68 | COVER |
| 0006 | WPC7020 | C.COP.SUP.INF F.69 V.N T.N. |
| 0006 | WPC72 | COVER |
| 0006 | WPC74 | COVER |
| 0007 | WP22111 | FIANCO DX F.77/96/66 (NERO) |
| 0007 | WP33111 | FIANCO DX+SX F.69/99TV + GAS |
| 0007 | WP44100 | FIANCO DX+SX 111+109 (NERO)TV |
| 0008 | WP140 | COVER |
| 0008 | WP22200 | FIANCO SX F.96/66 (NERO) |
| 0008 | WP33200 | FIANCO SX F.69/99 (NERO) |
| 0008 | WP44200 | FIANCO SX 111+109 (NERO) |
| 0009 | WP033 | REAR PANNEL |
| 0009 | WP133 | REAR PANNEL |
| 0009 | WP333 | REAR PANNEL |
| 0009 | WP344 | REAR PANNEL |





2 - Oven

| POSITION | CODE | DESCRIPTION |
|----------|---------|--|
| 0010 | AL20100 | GLASS |
| 0011 | AL26600 | GASKET |
| 0012 | EL06200 | MICROLAMP.AL0G.GY6.35 12V 35 W |
| 0013 | QAT2200 | LIGHT REFLECTOR |
| 0014 | HAT6410 | FISSAGGIO LAMPADA F.S.2000 |
| 0015 | EL05600 | COMPL.PORTALAMPADA FORNI |
| 0016 | WCE4000 | COMPL.CAM.ESTERNO S.2000 ACC. |
| 0017 | WCE3710 | CHIMNEY COVER - OPTIONAL |
| 0018 | DSC1400 | PROTEZ.P.REFRATT.4-8 DS/CL 66T |
| 0018 | HGV3120 | C.TELAIO GRATA 33 GAS V(HG310) |
| 0018 | HGV4020 | C.TEL.GRATA 34+109 V.A(HG410) |
| 0018 | HGV4520 | C.TELAIO GRATA F.111 V.A(HG450) |
| 0018 | KG23020 | C.TEL.GRATA SG23+69-96-5-10-11 |
| 0018 | WGV22 | FRAME |
| 0019 | AL15100 | PIETRA 622X606X25 22-66-MF4/8 |
| 0019 | AL17900 | PIETRA REFR.913X455X19 F.99 |
| 0019 | AL18000 | PIETRA REFR.1213X455X19 F.109 |
| 0019 | AL18100 | PIETRA REF.1142X557,5X19 F111 |
| 0019 | AL18200 | PIETRA REFR.913X606X19 F.69-96 |
| 0019 | AL20400 | PIETRA REFR.697X355X19 F77/435 |
| 0020C | ZZZZ01 | SEE RESISTANCE LIST |
| 0020P | ZZZZ01 | SEE RESISTANCE LIST |
| 0021 | WKLO3 | ANGOLARE SOSTEGNO RESISTENZA F96(1). F99(2). F109(2) |
| 0021 | WKLO4 | ANGOLARE SOSTEGNO RESISTENZA F.111 |
| 0021 | WKSO4 | ANGOLARE SOSTEGNO RESISTENZA F69(2) |
| 0021 | WKSO510 | ASTA SOSTEGNO RESIST. 77 (1) |
| 0022 | MD03600 | COTTER PIN |
| 0023 | HAT9910 | PROTEZ.BULBO INT.CAM.M+H+GAS |





3 - Oven

| POSITION | CODE | DESCRIPTION |
|----------|---------|--|
| 0010 | AL20100 | GLASS |
| 0011 | AL26600 | GASKET |
| 0012 | EL06200 | MICROLAMP.AL0G.GY6.35 12V 35 W |
| 0013 | QAT2200 | LIGHT REFLECTOR |
| 0014 | HAT6410 | FISSAGGIO LAMPADA F.S.2000 |
| 0015 | EL05600 | COMPL.PORTALAMPADA FORNI |
| 0016 | WCE4000 | COMPL.CAM.ESTERNO S.2000 ACC. |
| 0017 | WCE3710 | CHIMNEY COVER - OPTIONAL |
| 0018 | HGV3120 | C.TELAIO GRATA 33 GAS V(HG310) |
| 0018 | HGV4020 | C.TEL.GRATA 34+109 V.A(HG410) |
| 0018 | HGV4520 | C.TELAIO GRATA F.111 V.A(HG450) |
| 0018 | KG23020 | C.TEL.GRATA SG23+69-96-5-10-11 |
| 0018 | WGV22 | FRAME |
| 0019 | AL15100 | PIETRA 622X606X25 22-66-MF4/8 |
| 0019 | AL17900 | PIETRA REFR.913X455X19 F.99 |
| 0019 | AL18000 | PIETRA REFR.1213X455X19 F.109 |
| 0019 | AL18100 | PIETRA REF.1142X557,5X19 F111 |
| 0019 | AL18200 | PIETRA REFR.913X606X19 F.69-96 |
| 0019 | AL20400 | PIETRA REFR.697X355X19 F77/435 |
| 0020c | ZZZZ01 | SEE RESISTANCE LIST |
| 0020p | ZZZZ01 | SEE RESISTANCE LIST |
| 0021 | HKSV3 | SUPPORT |
| 0021 | WKLO3 | ANGOLARE SOSTEGNO RESISTENZA F96(1). F99(2). F109(2) |
| 0021 | WKLO4 | ANGOLARE SOSTEGNO RESISTENZA F.111 |
| 0021 | WKSO4 | ANGOLARE SOSTEGNO RESISTENZA F69(2) |
| 0021 | WKSV3 | SUPPORT |
| 0022 | MD03600 | COTTER PIN |
| 0023 | HAT9910 | PROTEZ.BULBO INT.CAM.M+H+GAS |

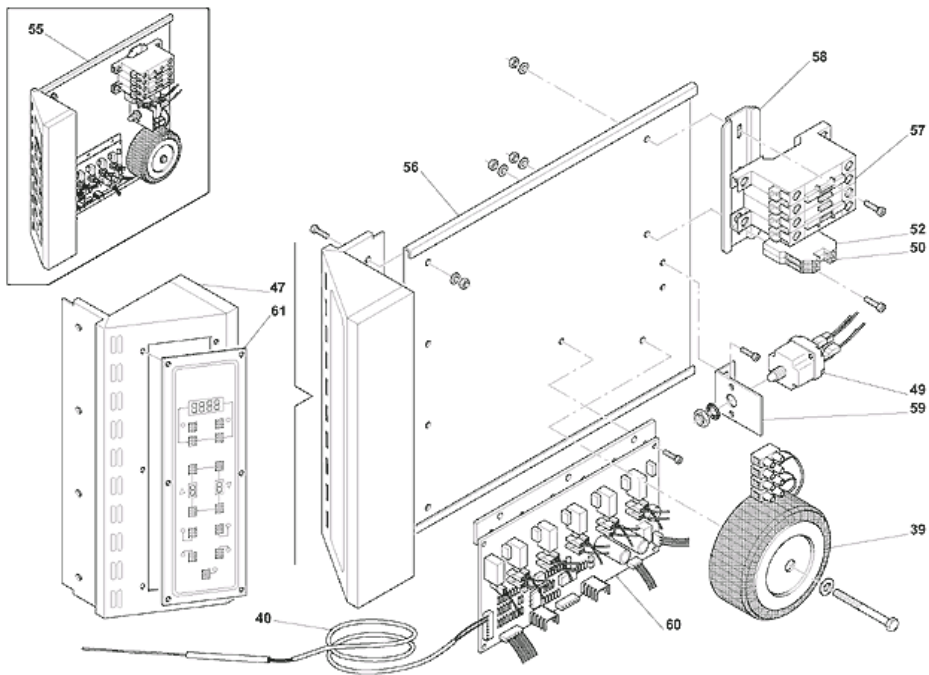
4 - Front piece door





4 - Front piece door

| POSITION | CODE | DESCRIPTION |
|----------|---------|---------------------------------|
| 0024 | AH068 | DOOR GLASS PROTECTIVE CHR. GRID |
| 0025 | QST0320 | VOLANT.PORTA FS.2000 CR.(QAT43 |
| 0026 | AC06600 | MANOP.P.FORNO TP.N.MC/29X115 |
| 0027 | AC07100 | RONDELLA D.36 H.12 FORO 8,5 |
| 0028 | HDTV300 | PIATTO P/MANIGLIA IN ALLUMINIO |
| 0029 | WKTB3 | DOOR SUPPORT 40X15L = 278 |
| 0030 | HKT0100 | BOCCOLA PERNO PORTA D.14X10X22 |
| 0031 | HAT0410 | ANGOLARE REG.MOLLA 4/8/5/10 TR |
| 0032 | MD04900 | SPRING |
| 0033 | AL27600 | GLASS |
| 0034 | HDLA000 | C.TEL.PORTA F.96-99-109/11-15 |
| 0034 | HDSA000 | C.TEL.PORTA F.66-69/MF4-8-5-10 |
| 0034 | WDL0020 | C.TEL.PORTA F.111 IN ACCIAIO |
| 0034 | WDS0020 | DOOR FRAME |
| 0035 | AL27810 | GUARNIZIONE VETRO 430X155 MM |
| 0036 | HSL0100 | COPRIPORTA STAND.INF.96-99-109 |
| 0036 | HSS0100 | COPRIP.INF.S 66/69-4-8CL-5-10 |
| 0036 | WSL01 | LOWER COVER |
| 0036 | WSS01 | LOWER COVER |
| 0036A | HRLV120 | COPR.INF.96-99-109R V.N(HSL01) |
| 0036A | HRSV120 | COPRIP.INF.22-23 R SM.M(HRS01) |
| 0036A | WRL01 | LOWER COVER |
| 0036A | WRS01 | LOWER COVER |
| 0037 | HSLP210 | COPRIP.SUP.ST 11/15/96/99/109 |
| 0037 | HSSP210 | COPRIP.SUP.ST MODU+TRI(HSSS2) |
| 0037 | WSL02 | UPPER COVER |
| 0037 | WSSP2 | UPPER COVER |
| 0037A | HRLV220 | COPR.SUP.F.96-99-109RVN(HSLP2) |
| 0037A | HRSV220 | COP.SUP.F.66-69 ST+P.SM(HRSP2) |
| 0037A | WRL02 | UPPER COVER |
| 0037A | WRS02 | UPPER COVER |
| 0038 | HSD6910 | C.PORTA 69-66S+SG22+23 |
| 0038 | HSD9910 | C.PORTA 96/99/109S+SG33 |
| 0038 | WDL010 | C.PORTA STANDARD F.111-344 |
| 0038 | WDS31 | DOOR ASSEMBLY |
| 0038A | HRD69 | DOOR ASSEMBLY |
| 0038A | HRD99 | DOOR ASSEMBLY |
| 0038A | WDLR010 | C.PORTA RUSTICA F.344+111 PREM |
| 0038A | WDR31 | DOOR ASSEMBLY |





6 - Digital panel

| POSITION | CODE | DESCRIPTION |
|----------|---------|--------------------------------|
| 0039 | EH04500 | TRANSFORMER T50W 230/12+WASHER |
| 0040 | ED06500 | TERMOC"J"D.2X250+CAVO 1,5MT |
| 0047 | WFB4320 | C.FR.COM.S 2000 MOD.(WFE43)V.N |
| 0049 | ED02300 | TERMOST.DI SICURA+RIP.MANUALE |
| 0050 | EP071 | GROUND CLAMP 10 |
| 0052 | EP00900 | MORSETTO COMP.WKN 10/U GRIGIO |
| 0055 | HS10210 | C.PANN.ESTR.F.S.2000 DIG.TN |
| 0056 | WPS40 | SUPPORT |
| 0057 | EN08300 | CONTATTORE BF25 V.230 HZ.50/60 |
| 0058 | HAT60 | BAR |
| 0059 | HAT23 | FLASK |
| 0060 | HE15800 | SCHEDA POTENZA UNIFICATA |
| 0061 | HE17000 | PANN.COM+DISPLAY+P.ALL+TARGA |

**TABELLA RESISTENZE - HEATER LIST - LISTE RESISTANCE
HEIZKÖRPER LISTE - LISTA RESISTENCIA**

| MOD. | CODICE CODE CODE CODE CODIGO | RESISTENZA HEATER RESISTANCE HEIZKÖRPER RESISTENCIA |
|-----------|--|---|
| S - R 66 | EE 102 / cielo | W. 720 VOLT. 400 |
| | EE 102 / platea | W. 720 VOLT. 400 |
| | EE 245 / cielo | W. 850 VOLT. 230 |
| | EE 245 / platea | W. 850 VOLT. 230 |
| S - R 69 | EE 149 / cielo | W. 1300 VOLT. 400 |
| | EE 110 / platea | W. 1100 VOLT. 400 |
| | EE 246 / cielo | W. 1300 VOLT. 230 |
| | EE 246 / platea | W. 1300 VOLT. 230 |
| S - R 77 | EE 227 / cielo | W. 1100 VOLT. 400 |
| | EE 186 / platea | W. 850 VOLT. 400 |
| | EE 250 / cielo | W. 1100 VOLT. 230 |
| | EE 250 / platea | W. 1100 VOLT. 230 |
| S - R 96 | EE 128 / cielo | W. 1300 VOLT. 400 |
| | EE 106 / platea | W. 1100 VOLT. 400 |
| | EE 247 / cielo | W. 1300 VOLT. 230 |
| | EE 247 / platea | W. 1300 VOLT. 230 |
| S - R 99 | EE 150 / cielo | W. 1900 VOLT. 400 |
| | EE 114 / platea | W. 1600 VOLT. 400 |
| | EE 248 / cielo | W. 2000 VOLT. 230 |
| | EE 248 / platea | W. 2000 VOLT. 230 |
| S - R 109 | EE 151 / cielo | W. 2100 VOLT. 400 |
| | EE 118 / platea | W. 1900 VOLT. 400 |
| | EE 249 / cielo | W. 2300 VOLT. 230 |
| | EE 249 / platea | W. 2300 VOLT. 230 |
| S - R 111 | EE 174 / cielo | W. 1150 VOLT. 400 |
| | EE 192 / platea | W. 900 VOLT. 400 |
| | EE 251 / cielo | W. 1150 VOLT. 230 |
| | EE 251 / platea | W. 1150 VOLT. 230 |

| MOD. | CODICE CODE CODE CODE CODIGO | RESISTENZA HEATER RESISTANCE HEIZKÖRPER RESISTENCIA |
|---------------|--|---|
| S - R 66 / E | EE 245 / cielo | W. 850 VOLT. 230 |
| | EE 245 / platea | W. 850 VOLT. 230 |
| S - R 69 / E | EE 246 / cielo | W. 1300 VOLT. 230 |
| | EE 246 / platea | W. 1300 VOLT. 230 |
| S - R 77 / E | EE 250 / cielo | W. 1100 VOLT. 230 |
| | EE 250 / platea | W. 1100 VOLT. 230 |
| S - R 96 / E | EE 247 / cielo | W. 1300 VOLT. 230 |
| | EE 247 / platea | W. 1300 VOLT. 230 |
| S - R 99 / E | EE 248 / cielo | W. 2000 VOLT. 230 |
| | EE 248 / platea | W. 2000 VOLT. 230 |
| S - R 109 / E | EE 249 / cielo | W. 2300 VOLT. 230 |
| | EE 249 / platea | W. 2300 VOLT. 230 |
| S - R 111 / E | EE 251 / cielo | W. 1150 VOLT. 230 |
| | EE 251 / platea | W. 1150 VOLT. 230 |



7 - Heater list

| POSITION | CODE | DESCRIPTION |
|----------|---------|--------------------------------|
| 0 | EE10200 | RESIS.W.720 V.400 22M/H+66 M. |
| 0 | EE10600 | RESISTENZA W.1100 V.400 F.96M |
| 0 | EE11000 | RESIST.W.1100 V.400 F.23-69M |
| 0 | EE11400 | RESIS.W1600 V.400 F.33M-99M PL |
| 0 | EE11800 | RES.CIELO W.1900 V.400 34+109M |
| 0 | EE12800 | RESIST.W.1300 V.400 F.32H+96MC |
| 0 | EE14900 | RESIS.CIELO W.1300 V.400 F.69M |
| 0 | EE15000 | RESIST.W.1900 V.400 33H+99M-C. |
| 0 | EE15100 | RESIST.W.2100 V.400 F34H+109M |
| 0 | EE17400 | RESISTENZA W.1150 V.400 44-111 |
| 0 | EE18600 | RESIST.PLATEA W.850 V.400 77M |
| 0 | EE19200 | RES.PLATEA W.900 V.400 F.111 M |
| 0 | EE22700 | RESIST.CIELO W1100 V.400 F.77M |
| 0 | EE24500 | RESISTENZA W.850 V.230 F.66M+E |
| 0 | EE24600 | RESISTENZA W.1300 V.230 F69M+E |
| 0 | EE24700 | RESISTENZA W.1300 V.230 F96M+E |
| 0 | EE24800 | RESISTENZA W.2000 V.230 F99M+E |
| 0 | EE24900 | RESISTENZA W.2300 V.230 109M+E |
| 0 | EE250 | W. 1100 VOLT. 230 |
| 0 | EE25100 | RESISTENZA W.1150 V.230 111M+E |