


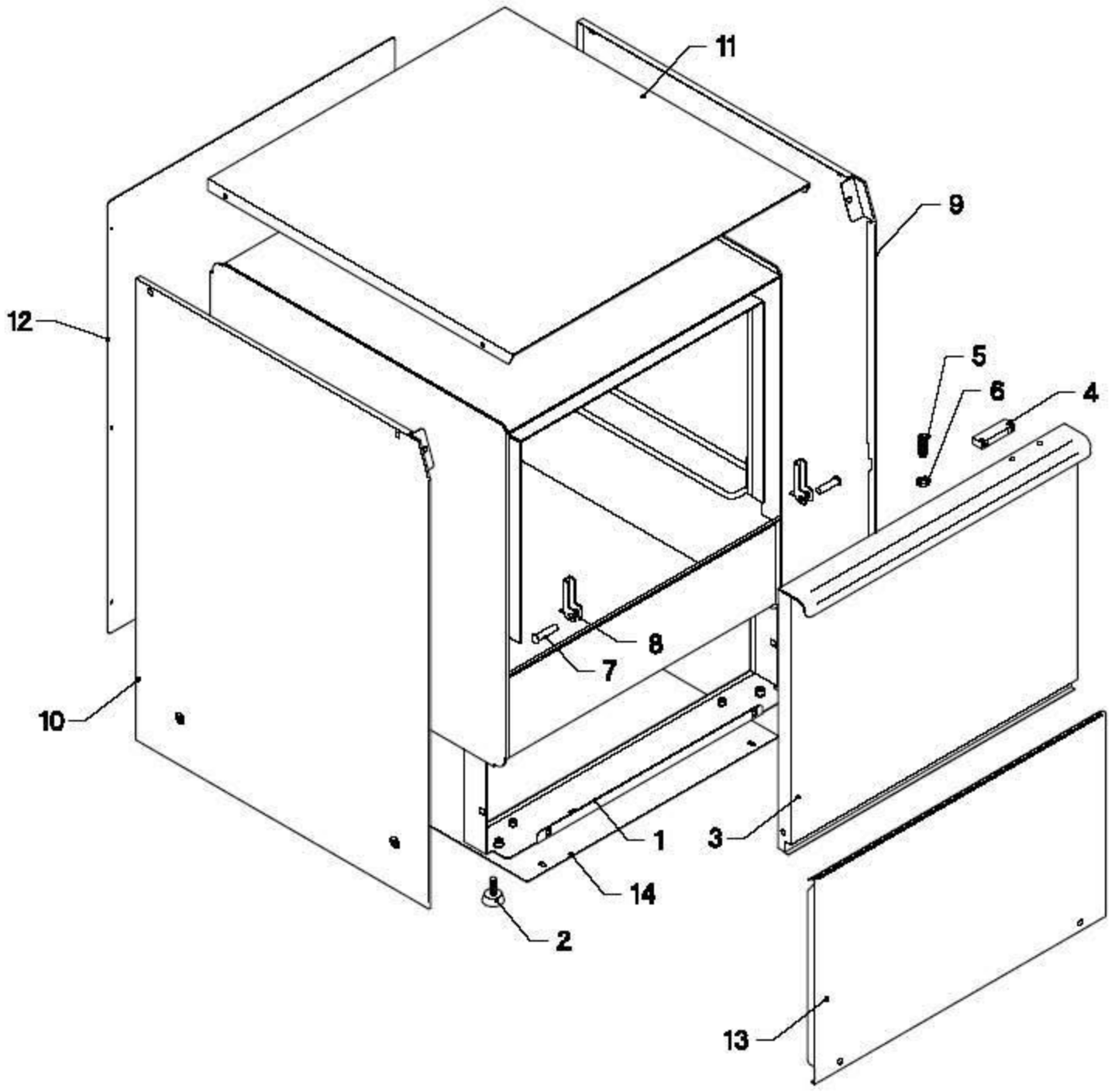
CE

I	LAVASTOVIGLIE INDUSTRIALI
F	LAVE-VAISSELLE INDUSTRIELS
GB	INDUSTRIAL DISHWASHER
D	INDUSTRIEGESCHIRRSPÜLER
ES	LAVAVAJILLAS INDUSTRIALES



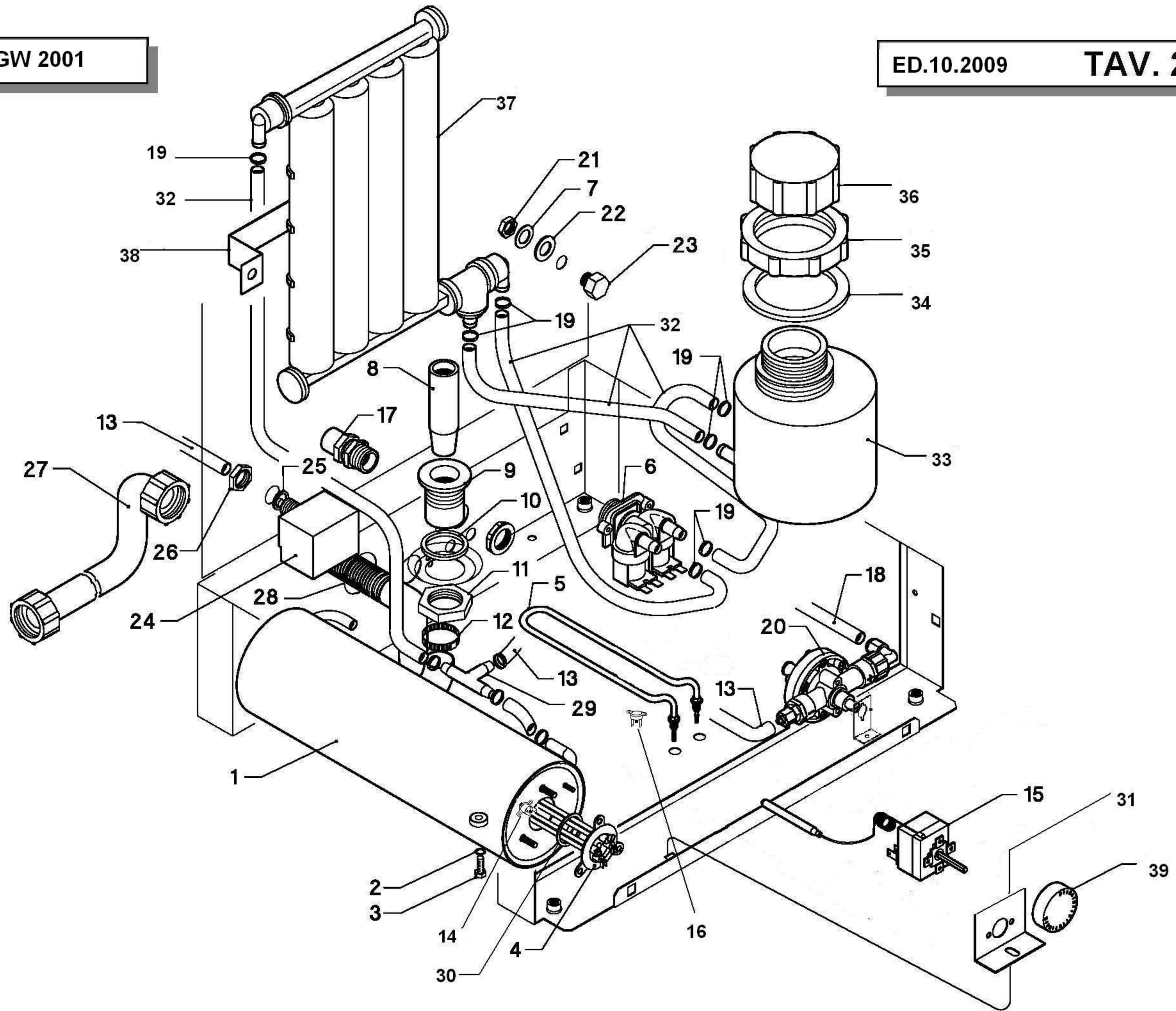
**GGW 2001**

	MANUALE PARTI DI RICAMBIO	
	CATALOGUES PIÈCES DETACHEES	
	SPARE PARTS MANUAL	
	ERSATZTEILEKATALOG	
ED.10.2009	COD.200199	MANUAL PARTES DE REPUESTOS

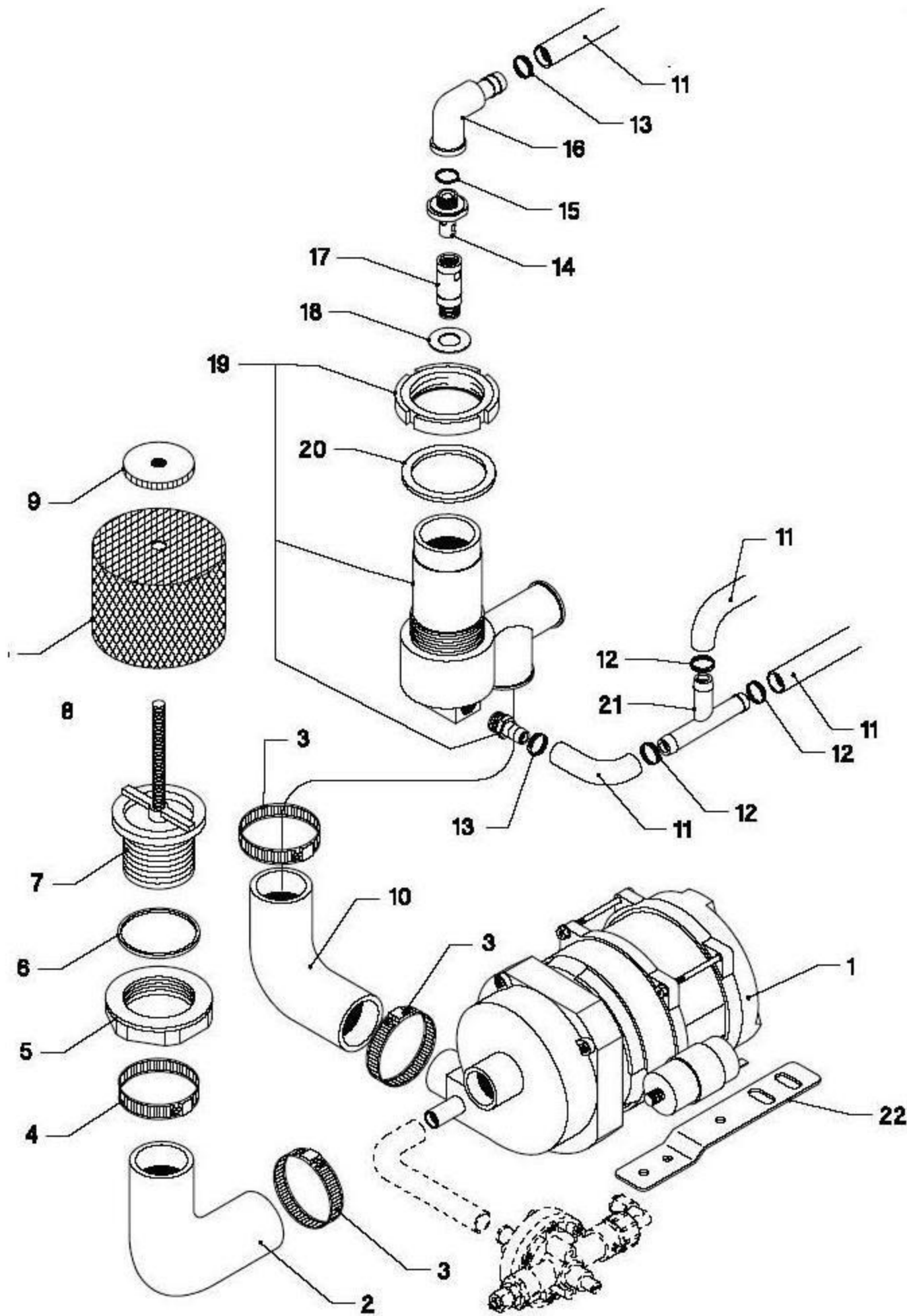


**GGW 2001****ED.10.2009 TAV. 1**

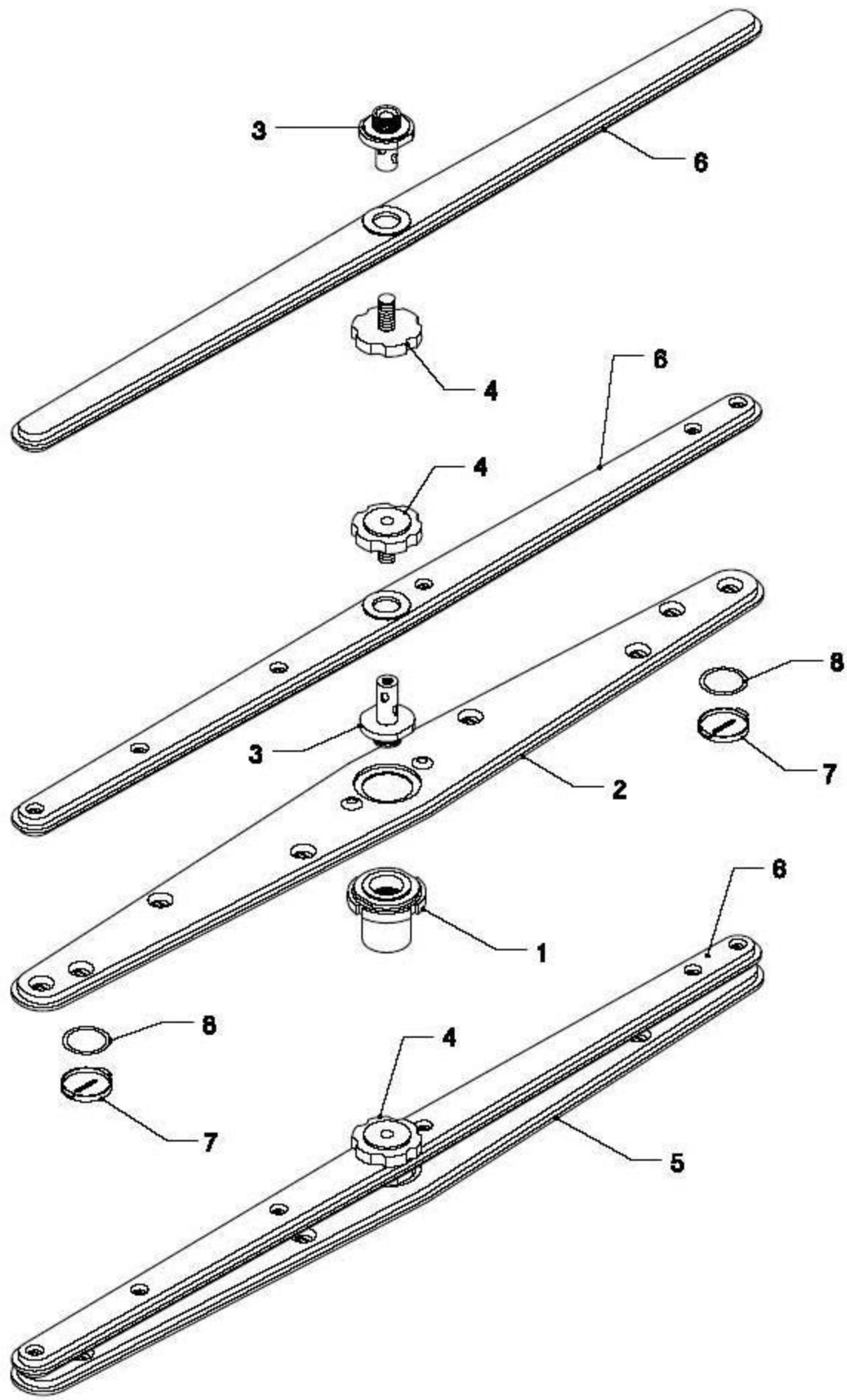
<i>Pos.</i>	<i>COD.</i>	<i>Q.tà</i>	<i>DESCRIZIONE</i>	<i>DENOMINATION</i>	<i>DESCRIPTION</i>	<i>BEZEICHNUNG</i>	<i>DESCRIPCIÓN</i>
1	901785	1	CARROZZERIA	CARROSSERIE	CABINET	KARROSSERIE	CARROCERIA
2	905000	4	PIEDINO REGOLABILE	PETIT PIED RÉGABLE	RUBBER LEG	EINSTELLBARESOCKEL	PIÉ REGULABLE
3	908534	1	PORTA	PORTE	DOOR	TÜR	PUERTA
4	903651	1	CUSTODIA CON MAGNETE	PROTECTION MAGNETO	COVER MAGNET	MAGNETSCHUTZ	ESTUCHE CON IMÁN
5	906121	1	SCROCCHETTO INOX	CLIQUET FERMETURE PORTE	DOOR CATCH	SCHNAPPVERSCHLUSS	SCROCCHETO
6	902023	1	DADO SCROCCHETTO	ECROU DU CLIQUET	NUT LATCH	KLINKENMUTTER	TUERCA
7	904795	2	PERNO PORTA	TOURILLON DE LA PORTE	DOOR PIN	TÜRSCHARNIERESTIFT	PERNO PUERTA
8	901245	2	CERNIERA	PATTE	DOOR SUPPORT	SCHARNIER	BISAGRA
9	904616	1	PANNELLO LATERALE DX	PANNEAU DROITE	RIGHT PANEL	RECHTE VERKLEIDUNG	PANEL DERECHO LATERAL
10	904617	1	PANNELLO LATERALE SX	PANNEAU GAUCHE	LEFT PANEL	LINKE VERKLEIDUNG	PANEL IZQUIERDO LATERAL
11	904613	1	PANNELLO SUPERIORE	PANNEAU SUPERIEUR	UPPER SIDE PANEL	OBERE VERKLEIDUNG	PANEL SUPERIOR
12	901725	1	PANNELLO POSTERIORE	PANNEAU POSTERIEUR	BACK PANEL	HINTERE VERKLEIDUNG	PANEL POSTERIOR
13	901777	1	PANNELLO INFERIORE	PANNEAU INFERIEUR	LOWER PANEL	UNTERE VERKLEIDUNG	PANEL INFERIOR
14	951209	1	FONDO BASAMENTO	FOND SOCLE	BOTTOM COVER	UNTERSEITE	FONDO BASE



Pos.	COD.	Q.tà	DESCRIZIONE	DENOMINATION	DESCRIPTION	BEZEICHNUNG	DESCRIPCION
1	900368	1	BOILER	CHAUFFE EAU	BOILER	HEISSWASSERSPEICHER	BOILER
2	904430	1	O-RING TAPPO BOILER	O-RING BOUCHON	O-RING PLUG	O-RING FROPFEN	O-RING TAPÓN
3	907820	1	MTE M8x12	MS	SCREW	SCHRAUBE	TORNILLO
4	905496	1	RESISTENZA 2600W	RESISTANCE	HEATING ELEMENT	HEIZKÖRPER	RESISTENCIA
5	905771	1	RESISTENZA 1600W	RESISTANCE	HEATING ELEMENT	HEIZKÖRPER	RESISTENCIA
6	902400	1	ELETTRIVALVOLA A2 ME	SOUPAPE ELECTRIQUE	ELECTRIC VALVE	ELEKTROVENTIL	VALVULA ELETTRICA
7	906055	1	RONDELLA Ø10	RONDELLE	WASHER	UNTERLEGSCHEIBE	ARANDELA
8	907280	1	TROPPO PIENO	NIVEAU	OVER FLOW	ÜBERLAUF	DAMISIADO LLENO
9	905440	1	RACCORDO SCARICO 1"	RACCORD DÉCHARGÉ	PIPE FITTING FOR OUTLET	ABLAUFANSCHLUSS	EMPALME DESAGOTE
10	904350	1	O-RING	O-RING	O-RING	O-RING	O-RING
11	902070	1	GHIERA 1" GAS	FRETTE	RING-NUT	NUT MUTTE	ABRAZADERA
12	902460	1	FASCETTA Ø 25-40	COLLIER	CLAMP	SHELLE	GUARNICIÓN
13	907279	2	TUBETTO PRESSOSTATO SILIC.	TUYAU PRESSOSTAT	PRESSURE SWITCH PIPE	SCHLAUCH	TUBO PRESÓSTATO
14	907243	1	TERMOSTATO DI SICUREZZA	THERMOSTAT	THERMOSTAT	THERMOSTAT	TERMÓSTATO DE SEGURIDAD
15	TR0440	1	TERMOSTATO 0°-90°	THERMOSTAT	THERMOSTAT	THERMOSTAT	TERMÓSTATO
16	907244	1	TERMOSTATO VASCA	THERMOSTAT DU PANIER	TANK THERMOSTAT	WANNER THERMOSTAT	TERMÓSTATO DE PILETA
17	902687	1	PRESSACAVO PG. 13,5	FIXAGE DU CABLE D'ALM.	FIXING CABLE	KABELBEFESTIGER	PRESACAVO
18	902046	1	TUBO ASP. BRILLANTANTE	TUYAU	PIPE	LAUCH	TUBO DE ASPIRACION ABRILL.
19	902440	11	FASCETTA 13-20	COLLIER	CLAMP	SHELLE	ABRAZADERA
20	902013	1	DOSATORE	DOSEUR	DOSEING DEVICE	DOSIERSATZ	DOSIFICADOR
21	902025	1	DADO M10	ÉCROU	NUT	MUTTER	TUERCA
22	903403	1	GUARNIZIONE	JOINT	GASKET	DICHTUNG	GUARNICIÓN
23	907846	1	MTE M10x16	MS	SCREW	SCHRAUBE	TORNILLO
24	905266	1	TRAPPOLA ARIA	RESERVOIR AIR	AIR TRAP	LUFT FALLE	TRAMPA DEL AIRE
25	903263	1	GUARNIZIONE M12	JOINT	GASKET	DICHTUNG	GUARNICIÓN
26	902111	1	GHIERA 3/8 PPL	FRETTE	RING-NUT	NUT MUTTE	ABRAZADERA
27	907344	1	TUBO DI CARICO	TUYAU D'ENTRÉE DE L'EAU	INLET PIPE	WASSERZUFÜHRROHR	TUBO
28	907440	1	TUBO DI SCARICO	TUYAU DE DÉCHARGÉ	OUTLET HOSE	ABLAUF SCHLAUCH	TUBO DESAGOTE
29	905434	1	RACCORDO A3 ME	RACCORD	PIPE FITTING	ANSCHLUSSE	EMPALME
30	907981	1	O-RING	O-RING	O-RING	O-RING	O-RING
31	TR2144	1	SUPPORTO TERMOSTATI	SUPPORT THERMOSTAT	THERMOSTAT SUPPORT	THERMOSTATHALTER	SOPORTE TERMÓSTATO
32	907295	4	TUBO GOMMA 12 x 19,5	TUYAU EN CAOUTCHOUC	RUBBER HOSE	GUMMISCHLAUCH	TUBO GOMA
33	901770	1	CONTENITORE SALE	RÉCIPIENT SEL	CONTAINER SALT	BEHÄLTER-SALZ	RECIPIENTE SAL
34	903340	1	GUARNIZIONE CONTENITORE SALE	JOINT	GASKET	DICHTUNG	GUARNICIÓN
35	902830	1	GHIERA CONTENITORE SALE	MROLE	LOCK NUT	NUT MUTTER	ABRAZADERA
36	906418	1	TAPPO	BOUCHON	PLUG	FROPFEN	TAPÓN
37	902150	1	DECALCIFICATORE	ADOUCCISSEURS	WATER SOFTENERS	WASSERENTHÄRTER	DECALCIFICADOR
38	904571	1	STAFFA FISSAGGIO DECALCIFIC.	ÉTRIER	BRACKET	KLAUE	SUPORTE
39	903982	1	MANOPOLA	BOUTON	KNOB	KNOPF	EMPUÑADURA



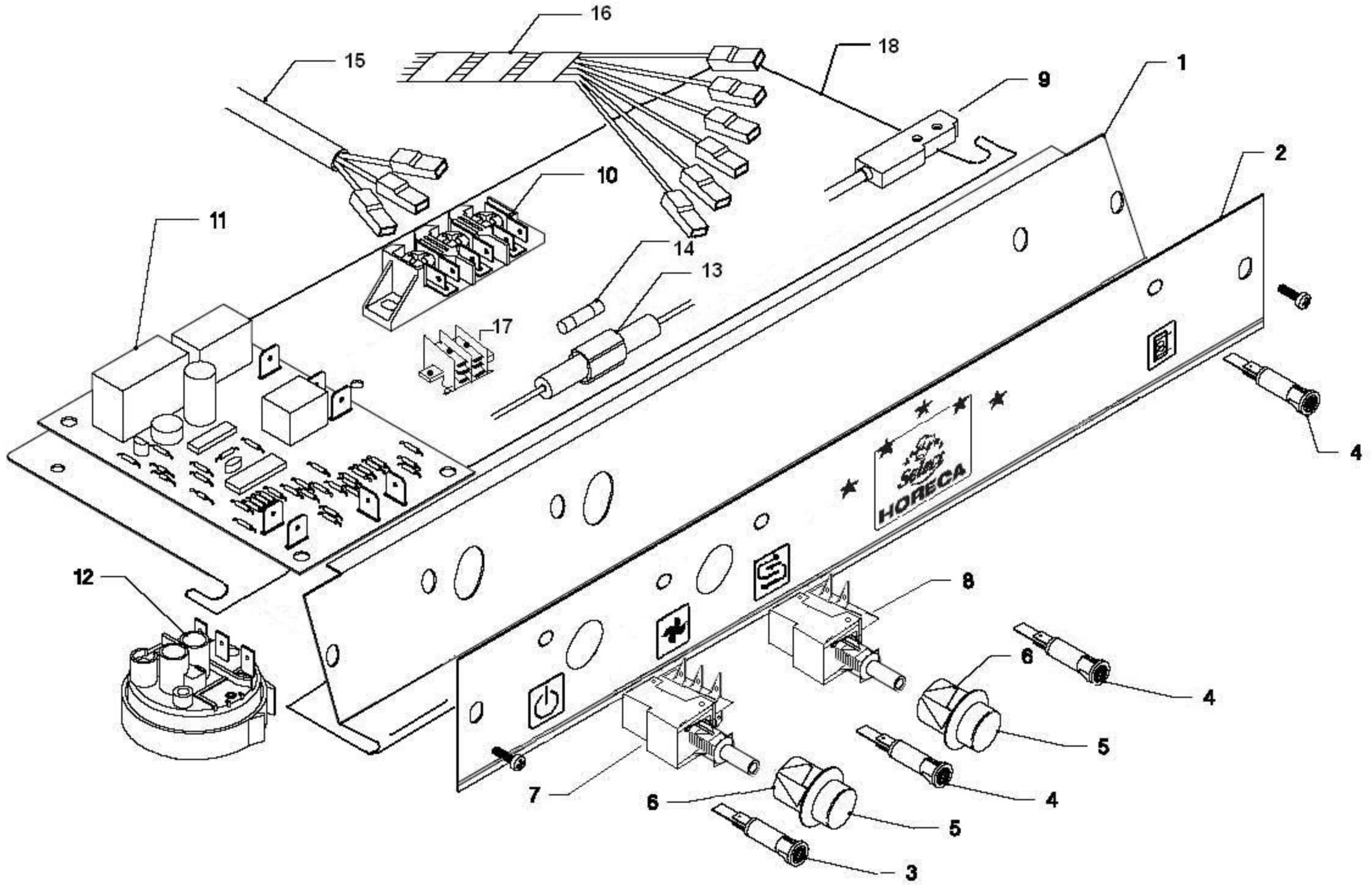
<i>Pos.</i>	<i>COD.</i>	<i>Q.tà</i>	<i>DESCRIZIONE</i>	<i>DENOMINATION</i>	<i>DESCRIPTION</i>	<i>BEZEICHNUNG</i>	<i>DESCRIPCIÓN</i>
1	902238	1	POMPA 0,30Kw	POMPE	PUMP	PUMPE	BOMBA
2	903674	1	MANICOTTO ASPIRAZIONE	MANCHON D'ASPIRATION	INLET ELBOW	ANSAUGMUFFE	PALANCA DE ASPIRACIÓN
3	902460	3	FASCETTA Ø 25-40	COLLIER	CLAMP	SHELLE	ABRAZADERA
4	902441	1	FASCETTA Ø 32-50	COLLIER	CLAMP	SHELLE	ABRAZADERA
5	902080	1	GHIERA 1" ¼	VIROLE	LOCK-NUT	NUT MUTTER	ABRAZADERA
6	904380	1	O-RING	O-RING	O-RING	O-RING	O-RING
7	905380	1	RACCORDO ASPIRAZIONE	RACCORD D'ASPIRATION	INTAKE PIPE FITTING	ANSAUGANSCHLUSSE	EMPALME DE ASPIRACIÓN
8	904467	1	FILTRO	FILTRE	FILTER	FILTER	FILTRO
9	902850	1	GHIERA	VIROLE	LOCK-NUT	NUT MUTTER	ABRAZADERA
10	903668	1	MANICOTTO MANDATA	MANCHON DE REFAULEM.	OUTLET ELBOW	AUSLAMUFFE	PALANCA DE MANDO
11	907360	3	TUBO GOMMA Ø 10x17	TUYAN EN CAOUTCHOUC	RUBBER HOSE	GUMMISCHLAUSCH	TIUBO GOMA
12	902440	3	FASCETTA Ø 13-20	COLLIER	CLAMP	SHELLE	ABRAZADERA
13	902439	2	FASCETTA Ø 11-17	COLLIER	CLAMP	SHELLE	ABRAZADERA
14	908771	1	PERNO GIRANTE RISCIAQUO	TOURILLON DE RINÇAGE	RINSE PIN	SPÜLLSTIFT	PERNO RODETE ENJUAGUE
15	903351	1	GUARNIZIONE	JOINT	GASKET	DICHTUNG	GUARNICIÓN
16	905452	1	RACCORDO A GOMITO ¼ "	RACCORD	PIPE FITTING	ANSCHLUSS	EMPALME
17	904765	1	PERNO LAVAGGIO	TOURRILLON DE LAVAGE	WASH PIN	WASCHSTIFT	PERNO LAVADO
18	906002	1	RONDELLA	RONDELLE	WASHER	UNTERLEGSCHLEIBE	ARANDELA
19	905558	1	MOZZO INFERIORE	MOYEU INFERIEUR	INFERIOR HUB	OBERE	BUJE INFERIOR
20	903301	1	GUARNIZIONE	JOINT	GASKET	DICHTUNG	GUARNICIÓN
21	905382	1	RACCORDO A 3 VIE	RACCORD	PIPE FITTING	ANSCHLUSSE	EMPALME
22	904156	1	SUPPORTO POMPA	SUPPORT POMPE	PUMP SUPPORT	PUMPE TRÄGER	SOPORTE BOMBA





**GGW 2001****ED.10.2009 TAV. 4**

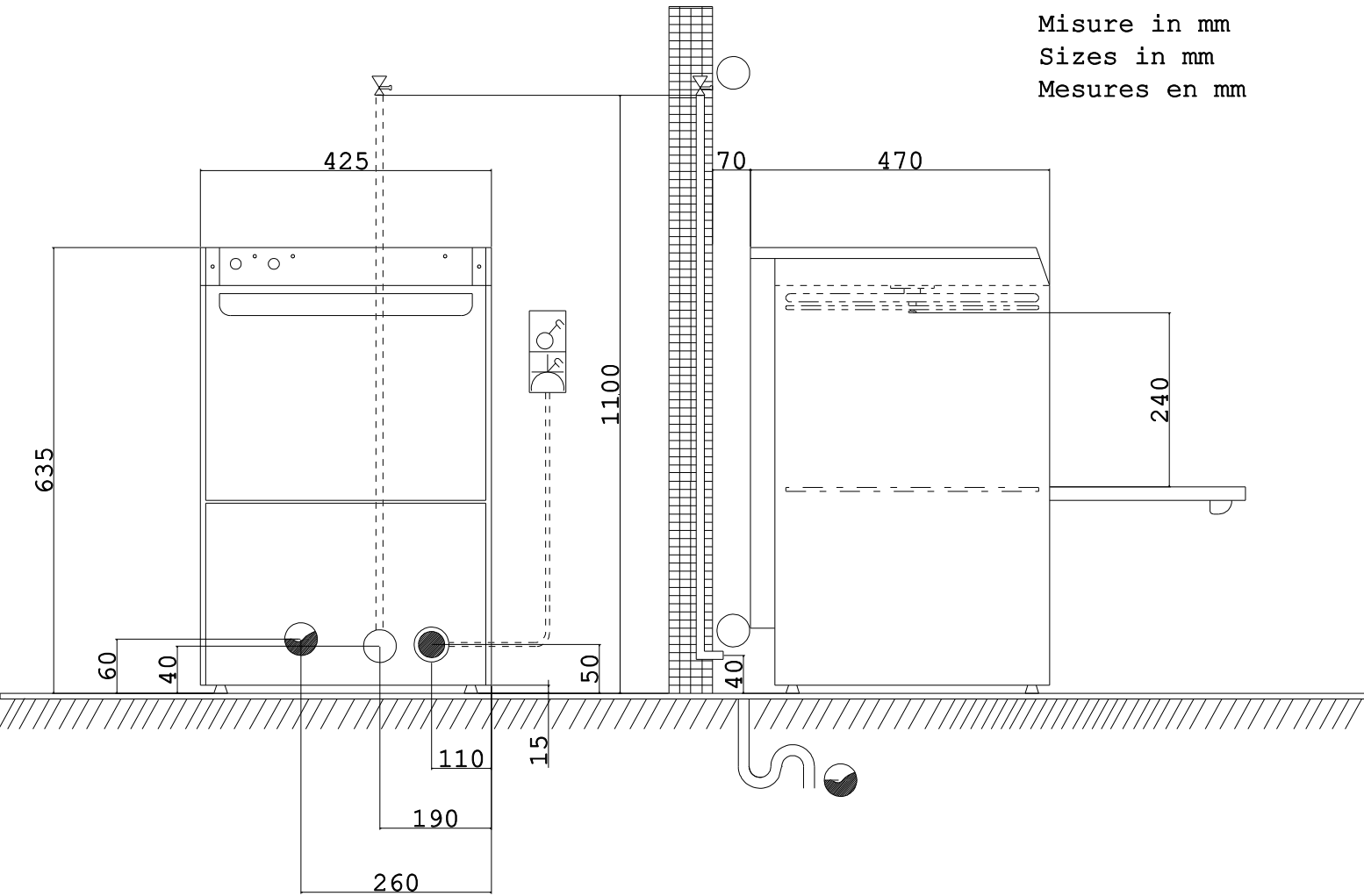
<b>Pos.</b>	<b>COD.</b>	<b>Q.tà</b>	<b>DESCRIZIONE</b>	<b>DENOMINATION</b>	<b>DESCRIPTION</b>	<b>BEZEICHNUNG</b>	<b>DESCRIPCIÓN</b>
1	904277	1	MOZZO + GHIERA	MOYEU + VIROLE	HUB + RING-NUT	NABE + KLEMMUTTER	BUJE + ABRAZADERA
2	902905	1	GIRANTE LAVAGGIO	BRAS DE LAVAGE	WASH ARM	SPÖLLARM	RODETE LAVADO
3	908771	2	PERNO GIRANTE RISC.	TOURILLON DE RINÇAGE	RINSE PIN	SPÖLLSTIFT	PERNO RODETE ENJUAGUE
4	902880	2	GHIERA BLOCCAGGIO	FRETTE DE BLOCAGE	RING-NUT	KLEMMUTTER	ABRAZADERA BLOQUEO
5	903104	1	GIRANTE LAVAGGIO COMP.	BRAS DE LAVAGE COMPL.	COMPL. WASH ARM	SPÖLLARM KOMPL.	RODETE LAVADO COMPL.
6	907955	2	GIRANTE RISCIAQUO	BRAS DE RINÇAGE	RINSE ARM	SPÖLLSTIFT	RODETE ENJUAGUE
7	906445	2	TAPPO ISPEZIONE	BOUCHON	PLUG	FROPFEN	TAPÓN
8	904324	2	O-RING TAPPO ISPEZIONE	O-RING	O-RING	O-RING	O-RING



<i>Pos.</i>	<i>COD.</i>	<i>Q.tà</i>	<i>DESCRIZIONE</i>	<i>DENOMINATION</i>	<i>DESCRIPTION</i>	<i>BEZEICHNUNG</i>	<i>DESCRIPCIÓN</i>
1	955277	1	PIASTRA PORTACOMPONENTI	PLAQUE COMPOSANTS	COMPONENT PLATE	PLATTE ZUSAMMENSETZEND	PLACA COMPONENTES
2	909198	1	TARGA	PLAQUETTE	PLATE	SCHILD	PLACA
3	903648	1	SPIA LINEA	LAMPE DE LIGNE	LINE LAMP	KONTROLLAMPE	LUZ LÍNEA
4	903644	2	LAMPADA	LAMPE	LAMP	KONTROLLAMPE	LÁMPARA
5	909362	2	TASTO	BOUTON	KEY	TASTE	TECLA
6	909361	2	SUPPORTO TASTO	SUPPORT BOUTON	SUPPORT KEY	TASTEHALTER	SOPORTE TECLA
7	905314	1	INTERRUTTORE ON/OFF	INTERRUPTEUR	SWITCH	DRUCKKNOPF	UNTERRUPTOR
8	905312	1	PULSANTE	BOUTON	PUSH-BUTTON	DRUCKKNOPF	INTERRUPTOR
9	909289	1	REED MAGNETICO	REED	REED	REED	REED MAGNÉTICO
10	904140	1	MORSETTIERA	BORNES	TERMINAL BOARD	KLEMMLEISTE	TABLEROS DE BORNES
11	907181	1	TIMER ELETTRONICO	TIMER ÉLECTRONIQUE	ELECTRONIC TYMER	ELEKTRONISCHER TIMER	TYMER ELECTRÓNICO
12	905270	1	PRESSOSTATO 20/40	PRESSOSTAT	PRESSURE SWITCH	DRUCHWAECHTE	PRESOSTATO
13	907128	1	PORTAFUSIBILE	PORTE-FUSIBLE	FUSE-HOLDER	SICHERUNGSHALTER	PORTAFUSIBLE
14	907116	1	FUSIBILE	FUSIBLE	FUSE	SICHERUNG	FUSIBLE
15	908130	1	CAVO ALIMENTAZIONE	CORDON ÉLECTRIQUE	POWER CABLE	ANSCHLUSSKABEL	CABLE DE ALIMENTACIÓN
16	900727	1	CAVI CABLAGGIO	CABLE CÂBLAGE	WIRING	VERDRAHTUNG	CABLEADO
17	904162	1	MORSETTO BIPOLARE	BORNES	TERMINAL BOARD	KLEMMLEISTE	TABLEROS DE BORNES
18	955276	1	PIASTRA PORTACOMPONENTI	PLAQUE COMPOSANTS	COMPONENT PLATE	PLATTE ZUSAMMENSETZEND	PLACA COMPONENTES

07/04/2010 modificato codice pos.11 da 907178 a 907181 timer elettronico unificato.

Misure in mm  
 Sizes in mm  
 Mesures en mm



MODELLO	MODEL	MODELE	kW
GGW	2001		2.9

Allacciamento elettrico - Electrical connection Branchement électrique - Elektroanschluss		Morsetto equipotenziale - Equipotential terminal Borne équipotential - Potentialausgleichsklemme		NON IN DOTAZIONE NOT INCLUDED PAS EN DOTATION NICHT DABEI			
Morsettiera Terminal board Plaque à bornes Klemmenbrett	v	Ingresso acqua calda Hot water inlet Entrée eau chaude Warmwassereintritt	bar	Rubinetto di intercettazione Isolator valve Robinet de barrage Abssperrhahn	Interruttore magnetotermico differenziale Differential magnetothermic switch Interrupteur magnétothermique différentiel Magnetothermischer differentialschalter		
	Hz		Ingresso acqua fredda cold water inlet Entrée eau froide kaltwassereintritt			$\frac{\text{bar}}{\text{KPa}}$ 3 300	$\varnothing$ L/h
	A						
Morsettiera Terminal board Plaque à bornes Klemmenbrett	v	Scarico acqua Vidange eau Water drain WasserAbflub	bar	$\varnothing$			
	Hz					$\frac{\text{bar}}{\text{KPa}}$	
	A						
Cavo elettrico Electrical cable Câble électrique Elektrokabel	V			$\varnothing$			
	Hz						
	mm <sup>2</sup>						