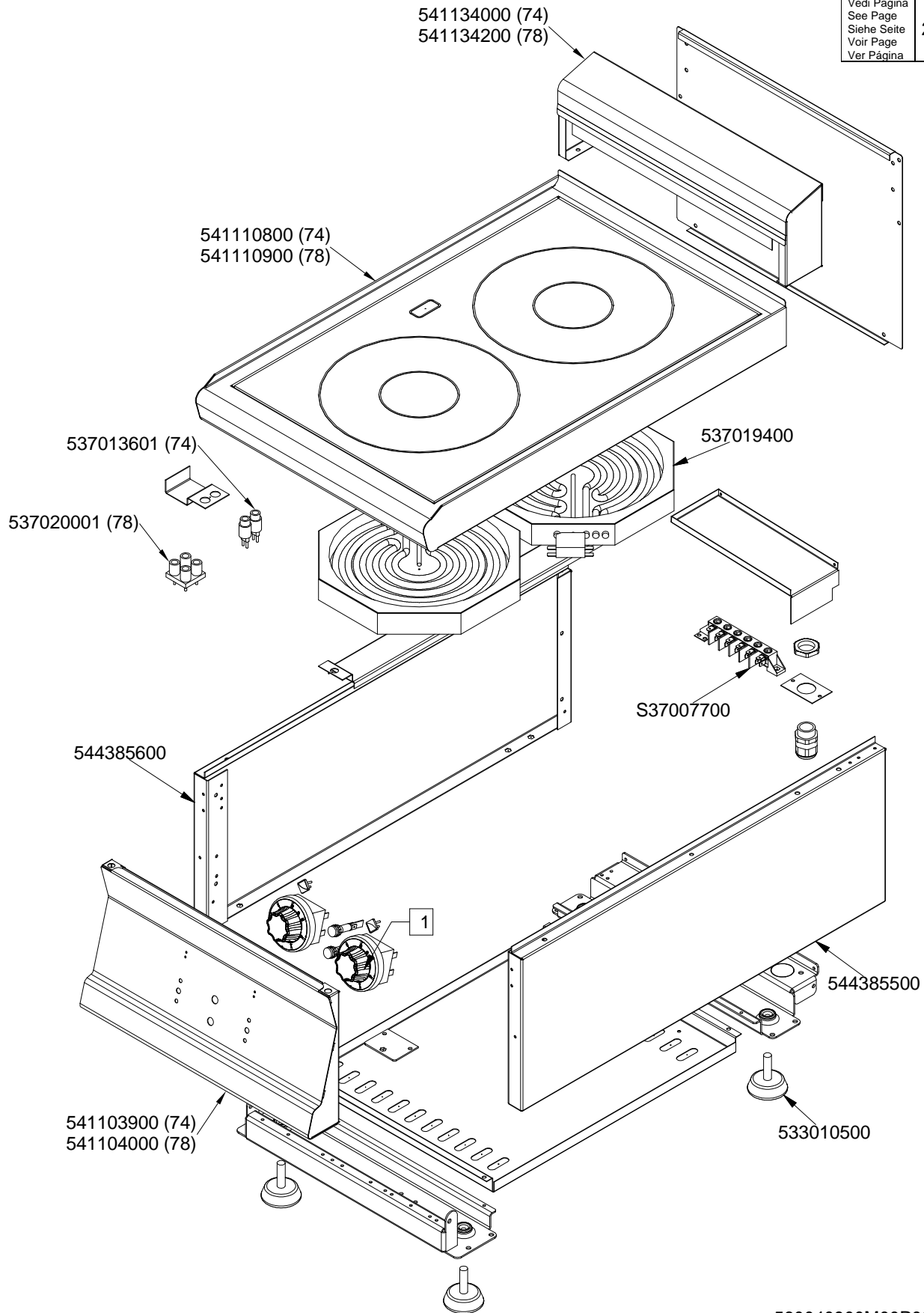


# SUPERLOTUS 70 TOP

ELETTRICO / ELECTRIC / ELEKTRO / ELECTRIQUE

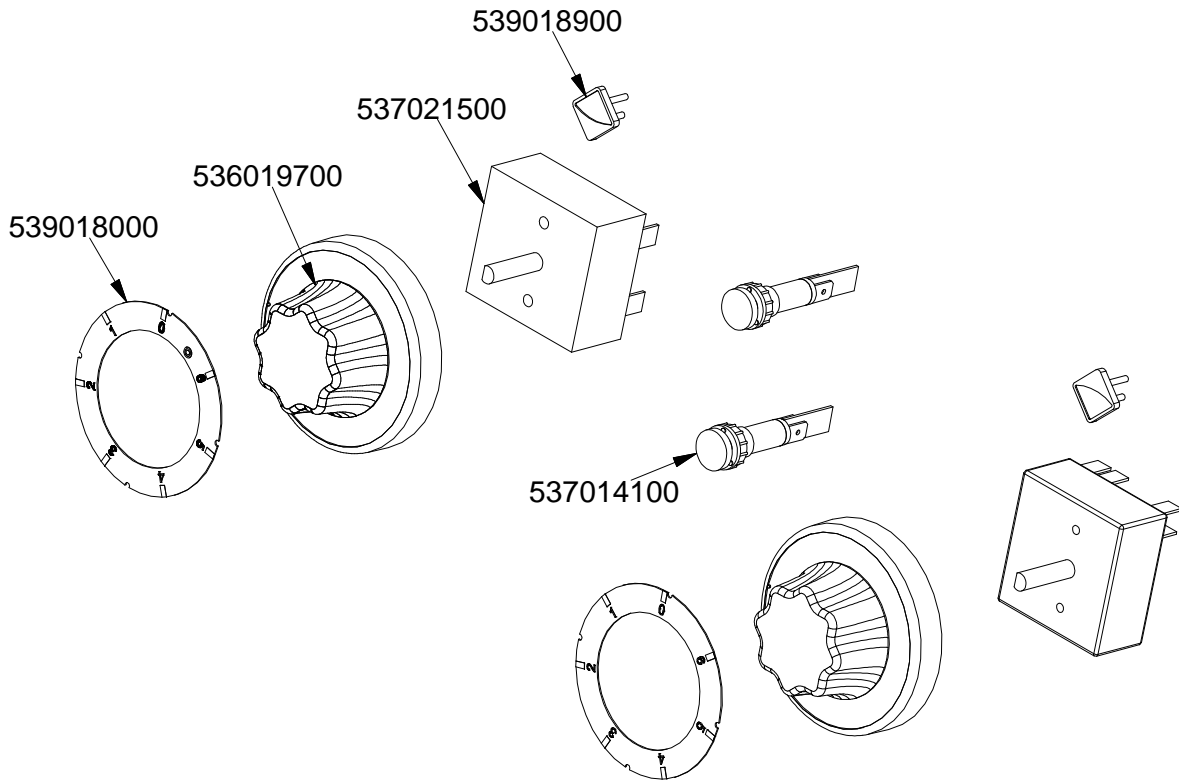
## PCCT-74ET PCCT-78ET

1	
Vedi Pagina See Page Siehe Seite Voir Page Ver Pàgina	267



560040900M00P00.

**PCCT-E**



560029200M00P00

Page	Pos	Code	Description
001		541134000	NEUTRAL LOW SPACER 74
001		541110800	GLASS UPPER PLATE PCC-74E
001		537019400	EL. PLATE PCC D250 1000+1400W 230V
001		537013601	REMAINING HEAT WARN.LIGHT W/CABLES
001		537007700	
001		544385600	LEFT SIDE OF 70T LINE
001		544385500	RIGHT SIDE OF 70T LINE
001		533010500	LEG M10*25 D.40
001		541103900	CONTROL PANEL PC-74E
002		539018900	INDEX FOR KNOB
002		537021500	REGULATOR FOR EL.PLATE 2CIRC.230V
002		536019700	BLACK KNOB §70 PIN §6*5
002		539018000	ADHESIVE GRAD.DISC 7POS.DOUBLE RED
002		537014100	WHITE WARNING LIGHT 250V