

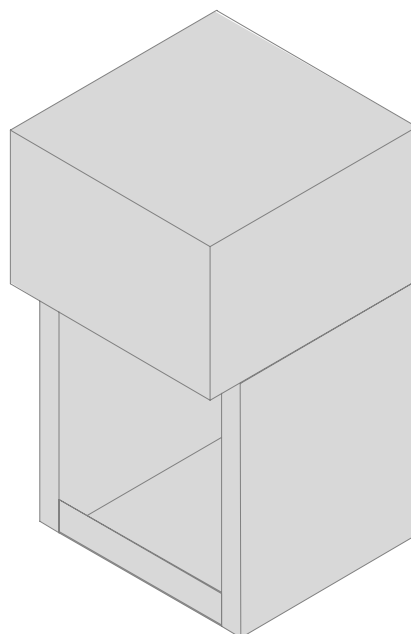
# RACK CONVEYOR MACHINE

TYPE: d8

---

## Spare parts manual

---



---

S/N:

Valid from:..11/2002

Rev.: 2.0

---



## **1. Spare parts**

<b>Time relay .....</b>	<b>5</b>
<b>Dryer LC 80 (6-12kW) - part 1 .....</b>	<b>7</b>
<b>Dryer LC 80 - LC90 (6-kW) - part 2</b>	<b>9</b>
<b>Dryer LC 80 (6-kW) - electric components</b>	<b>11</b>

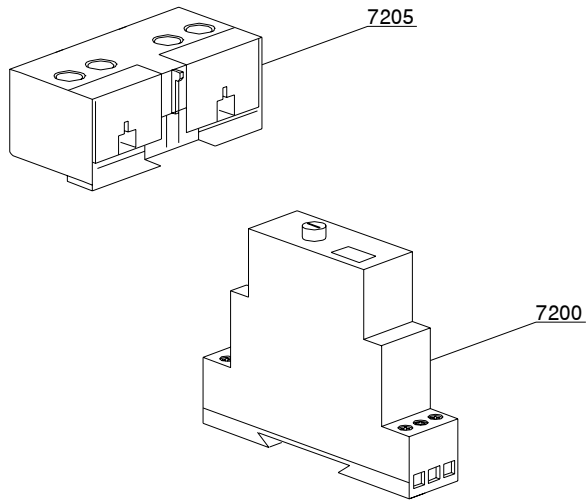


## 1.1 Voltage codes

Voltage code	Voltage
A	3/N/PE~400/230V 50Hz
B	~250V 16A 50Hz
C	3/N/PE~380/220V 50Hz
D	3/PE~200V 50-60Hz
F	2/PE 220-240V 50Hz
G	3/N/PE~415/240V 50Hz
H	3/PE~230V 50Hz
I	3/PE~220V 60Hz
J	3/PE~380 50Hz
K	3/PE~400V 50Hz
L	3/PE~415V 50Hz
M	3/PE~440V 60Hz
N	3/PE~460V 60Hz
O	3/PE~480V 60Hz
P	1/N/PE~220-240V 50Hz
R	2/PE~220-230V 60Hz
S	3/N/PE~400/230V 50Hz
T	3/PE~230V 60Hz

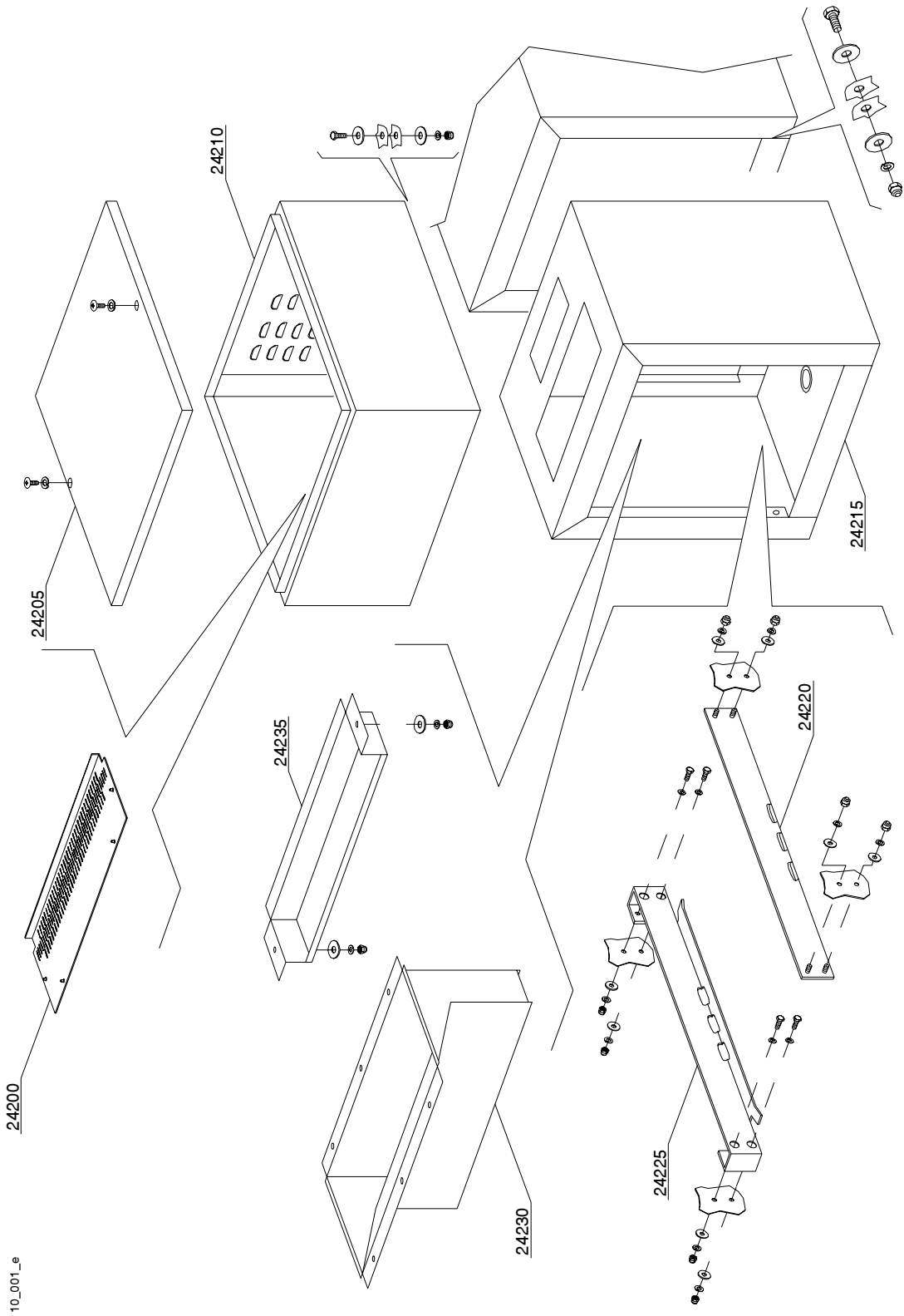
## 1.2 Product codes

Product code	Full name
Model codes	
Type codes	
d8	d8
Accessory codes	



07\_001\_e

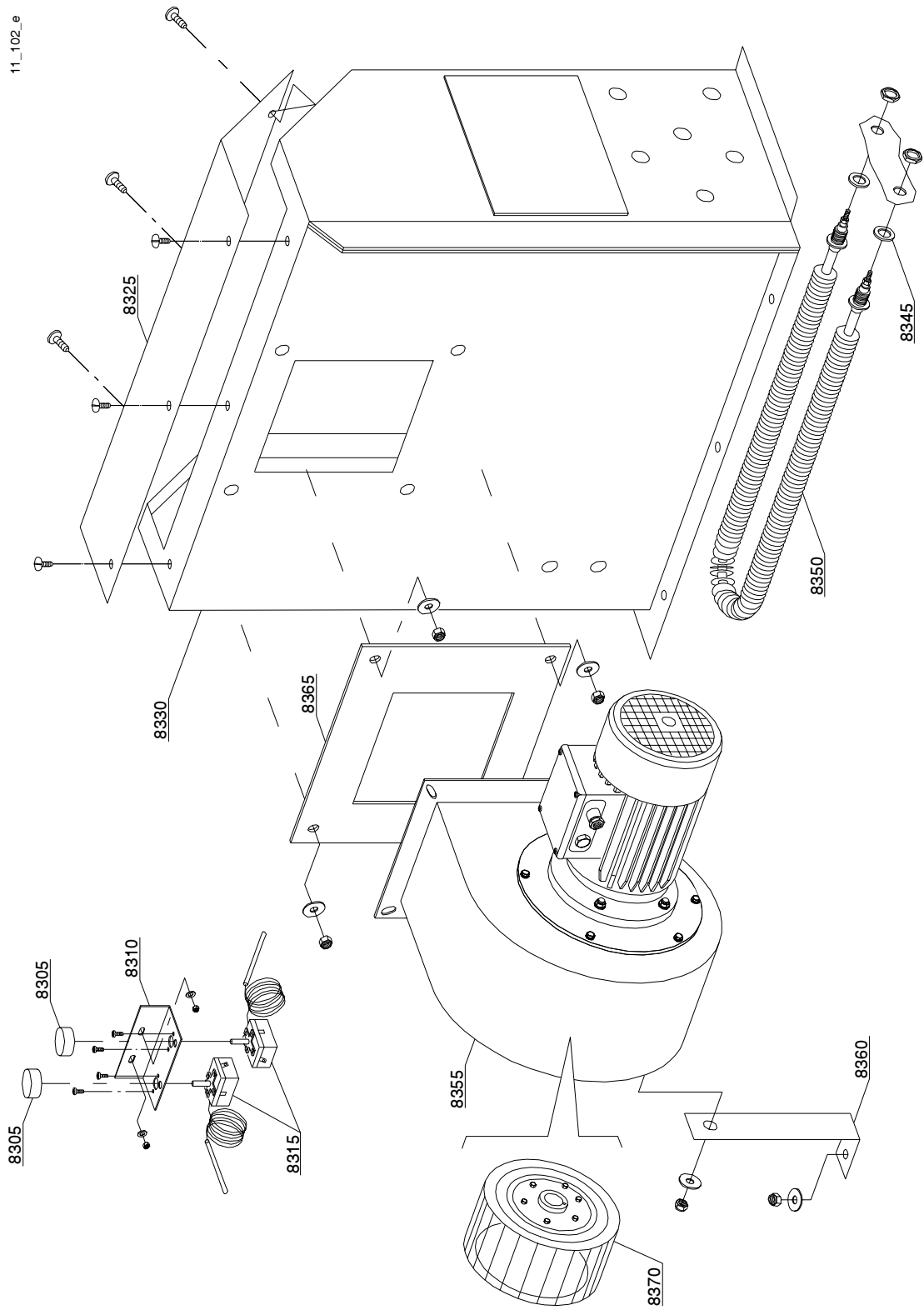
ID	P-code	Model	Type	Accessory	Voltage	Description
MODULE:Time relay						
7200	3006225		34,34HS,22,23,24,25,26,27,28,71,71G,39,sc8,sc9,d8,d9,d92,d94,974,975		A	Time relay 24V
7205	3006068		34,34HS,22,23,24,25,26,27,28,71,71G,39,sc8,sc9,d8,d9,d92,d94,974,975		A	MC9 auxiliary contact 1NO-1NC
7205	3002057		34,34HS,22,23,24,25,26,27,28,71,71G,39,sc8,sc9,d8,d9,d92,d94,974,975		A	MC9 auxiliary contact 2NO
7205	3002052		34,34HS,22,23,24,25,26,27,28,71,71G,39,sc8,sc9,d8,d9,d92,d94,974,975		A	MC9 auxiliary contact 2NC



10\_001\_e

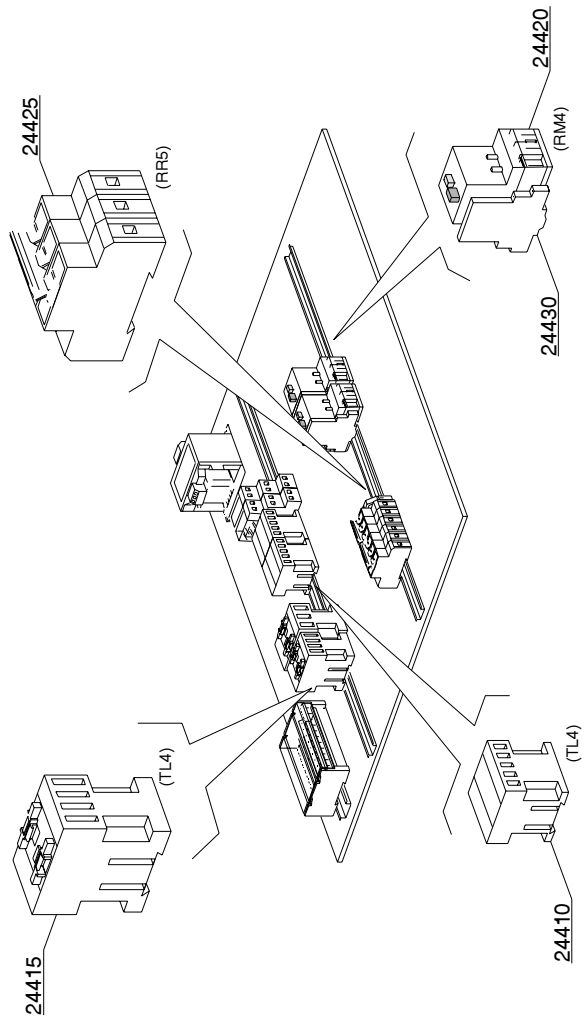
## Spare parts

ID	P-code	Model	Type	Accessory	Voltage	Description
MODULE:Dryer LC 80 (6-12kW) - part 1						
24200	3009564		34,34HS,d8			Protection/Splash guard
24205	3009267		34,34HS,d8			Cover panel
24210	3009569		34,34HS,d8			Complete body
24215	3009574		34,34HS,d8			Dryer module
24220	3009381		34,34HS,d8			Front slideways
24225	3009525		34,34HS,d8			Back slideways
24230	3009492		34,34HS,d8			Flow conveyor
24235	3009540		34,34HS,d8			Protection/Splash guard



## Spare parts

ID	P-code	Model	Type	Accessory	Voltage	Description
MODULE:Dryer LC 80 (6-kW) - part 2						
8305	15105/A		34,34HS,22,23,24,25,26,27,28,d8,d9			Thermostat knob
8310	3009104		34,34HS,22,23,24,25,26,27,28,d8,d9			Themostat support
8315	10707/2		34,34HS,22,23,24,25,26,27,28,d8,d9			Thermostat with shaft 0 - 90°
8325	3009085		34,34HS,22,23,24,25,26,27,28,d8,d9			Cover drying conveyor
8330	3009486		34,34HS,22,23,24,25,26,27,28,d8,d9			Right drying conveyor
8330	3009487		34,34HS,22,23,24,25,26,27,28,d8,d9			Left drying conveyor
8345	10200171		34,34HS,22,23,24,25,26,27,28,d8,d9			Gasket FASIT 25x17x2
8350	2000359		34,34HS,22,23,24,25,26,27,28,d8,d9			Drying heating element with nut
8355	3000300		34,34HS,22,23,24,25,26,27,28,d8,d9		A	Motorfan 0,55 kW
8360	3009214		34,34HS,22,23,24,25,26,27,28,d8,d9			Motorfan support
8365	3009275		34,34HS,22,23,24,25,26,27,28,d8,d9			Flange
8370	3000308		34,34HS,22,23,24,25,26,27,28,d8,d9			Pump rotor



10.201\_e

ID	P-code	Model	Type	Accessory	Voltage	Description
MODULE:Dryer LC 80 (6-kW) - electric components						
24410	2000370		34,34HS,d8		A	Contactator MC9
24415	2000380		34,34HS,d8		A	Contactator BF12 (LC90 - 6kW)
24420	2000394		34,34HS,d8		A	Motorprotector 2,5-4A (Motorfan 0,75 kW)
24425	2000403		34,34HS,d8		A	Automatic fuse C16 (LC90 - 6kW)
24430	3006080		34,34HS,d8		A	Auxiliary contact LMS25