

MCM1062R SERVICE PARTS

This parts list contains the parts for the MCM1062R. The model number of the machine is located on the ice machine in two places: on the back panel, and behind the front panel below the control box.

Check the model number to be certain of obtaining the correct parts.

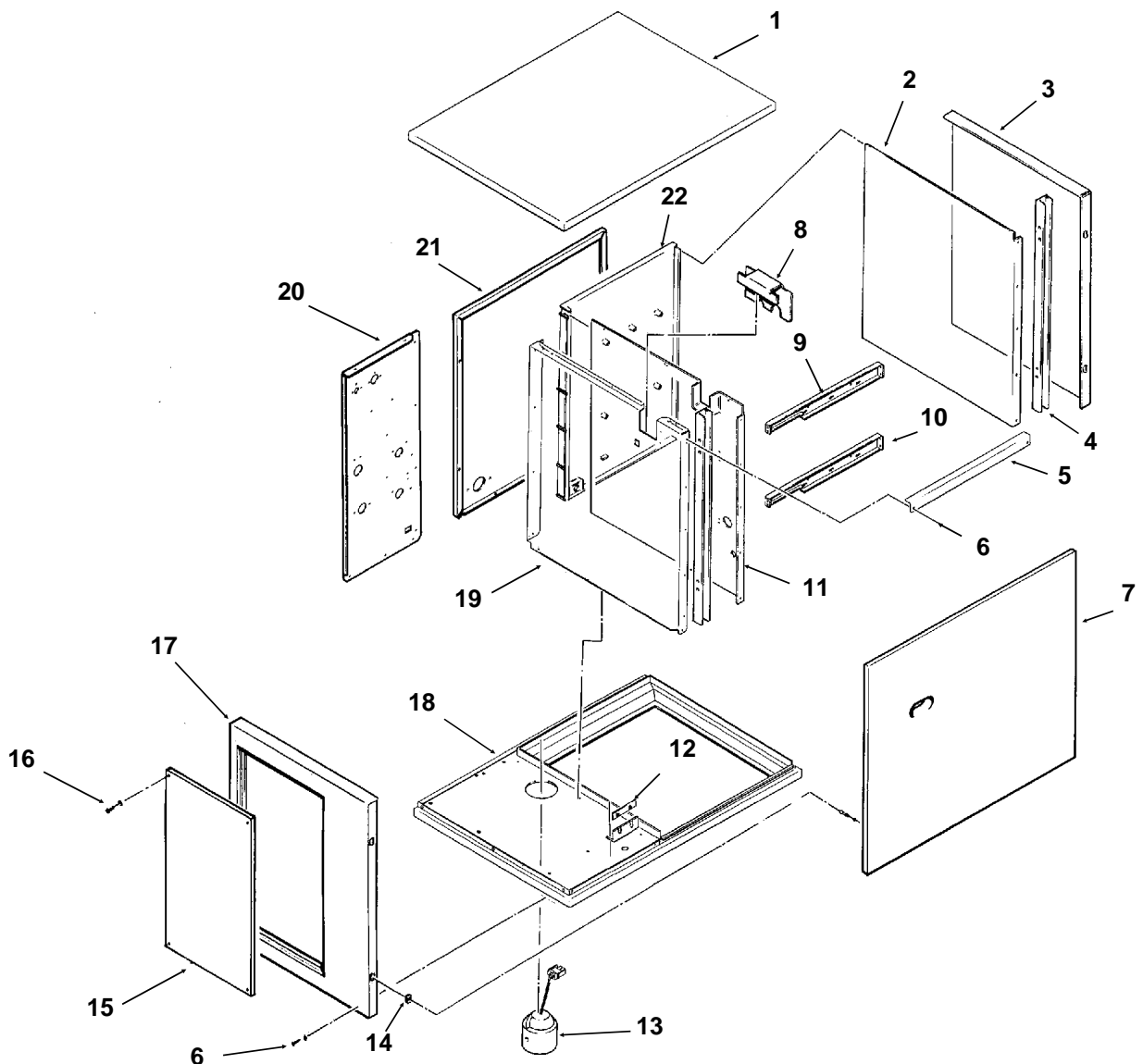
TABLE OF CONTENTS

Cabinet	Page 2
Refrigeration System	Page 3
Water System	Page 4
Control Box	Page 5
Remote Condenser	Page 6
MDB560 Ice Storage Bin	Page 7
MDB550 Ice Storage Bin	Page 8
Wiring Diagrams	Page 9

MCM1062R SERVICE PARTS

CABINET

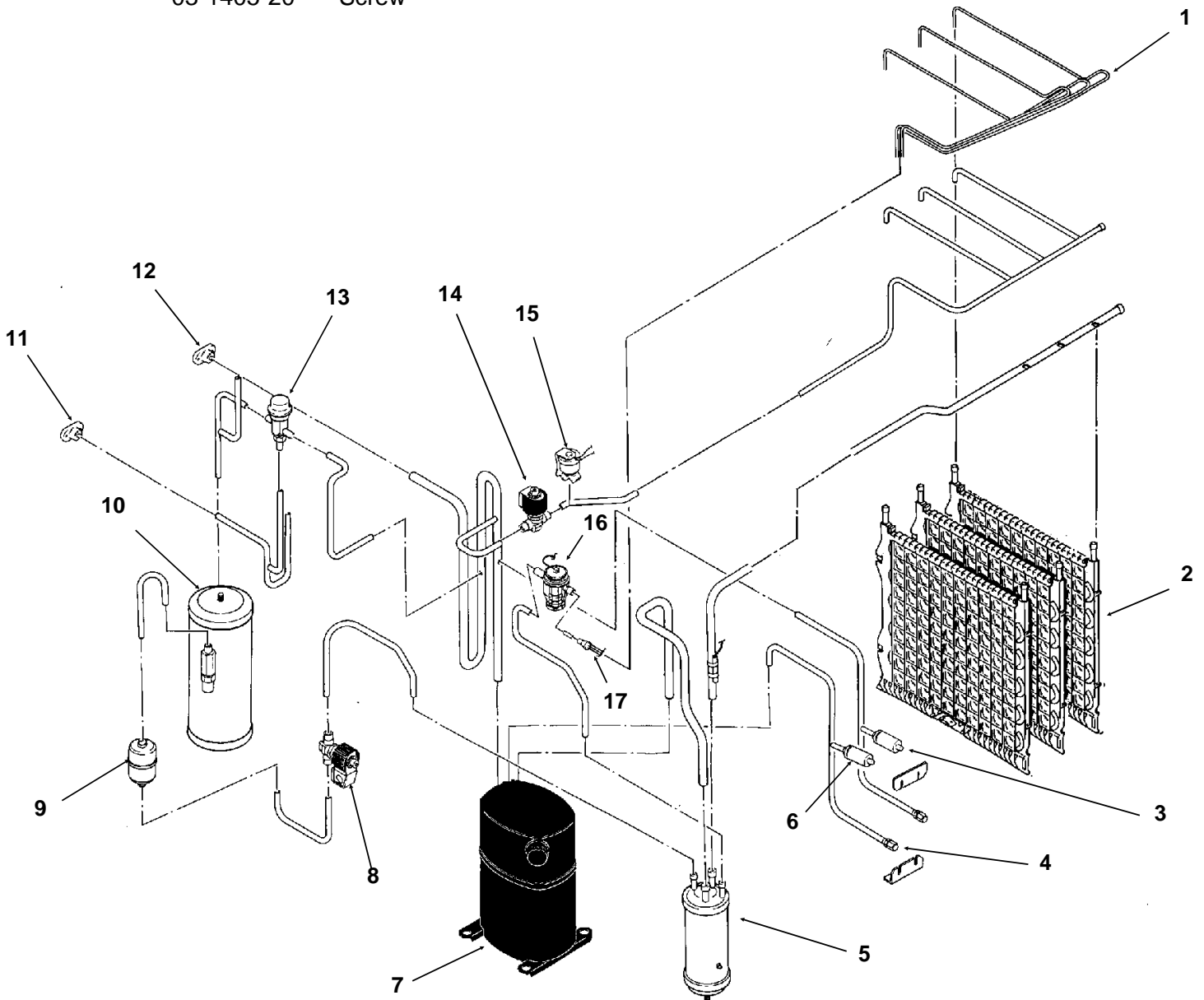
ITEM NUMBER	PART NUMBER	DESCRIPTION	ITEM NUMBER	PART NUMBER	DESCRIPTION
1	A32159-002	Top Panel, SS	12	A31462-001	Tube bracket
2	02-2887-02	Right Liner	13	A34908-021	Transducer
3	A35453-002	Right Side Panel, SS	14	02-0836-00	Catch
4	A32470-001	Brace	15	A34038-002	Service Panel
5	A32469-001	Upper cabinet brace	16	03-1404-12	Screw
6	03-1531-01	Screw	17	A32435-002	Left Side Panel
7	A34862-002	Front Panel SS	18	A34861-001	Base Assembly
	15-0411-00	Strike for front panel	19	A32454-001	Retainer
	03-1406-04	Nut for strike	20	A34826-002	Back Panel SS
8	A32549-002	Flange retainer	21	A32452-002	Right Back Panel SS
9	A32587-001	Upper Evap. Brace	22	02-2888-02	Back Liner
10	A32467-001	Lower Evap. Brace	23	A32464-001	Curtain Stand Off
11	02-2885-02	Left liner			



MCM1062R SERVICE PARTS

REFRIGERATION SYSTEM

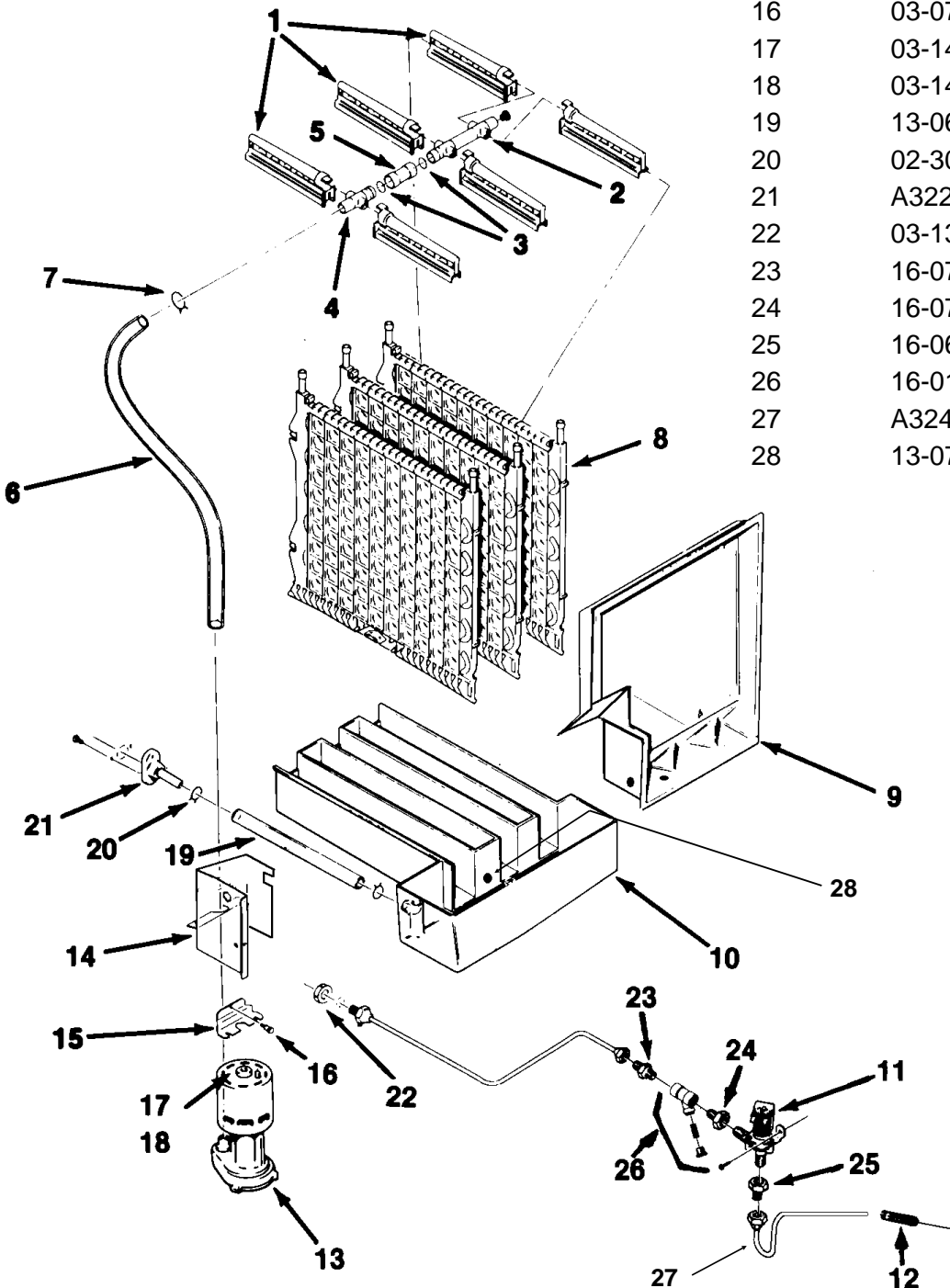
ITEM NUMBER	PART NUMBER	DESCRIPTION	ITEM NUMBER	PART NUMBER	DESCRIPTION
1	16-0876-01	Evap. inlet assembly	8	12-2274-01	Liquid line valve
2	A30296-020	Evaporator	9	02-3319-02	Filter dryer
3	11-0446-24	Hi pressure control switch	10	16-0761-01	Receiver
4	16-0560-00	Valve core	11	16-0850-03	3/8" male coupling
	16-0563-00	Cap	12	16-0850-01	1/2" male coupling
5	16-0801-22	Accumulator	13	11-0422-23	Head press. control valve
6	11-0467-22	Pump down control switch	14	12-2428-22	Hot gas valve
7	18-8862-22	Compressor 203-230/60/3 CRG3-0250-TF5-270		02-3231-02	Hot gas valve filter
	12-2308-01	Crankcase heater	15	12-2300-02	Hi temp cut out
	18-2200-27	Sleeve	16	16-0816-22	Thermo expansion valve
	18-2200-28	Grommet		02-2920-01	Insulation for TXV (half)
	03-1405-20	Screw			



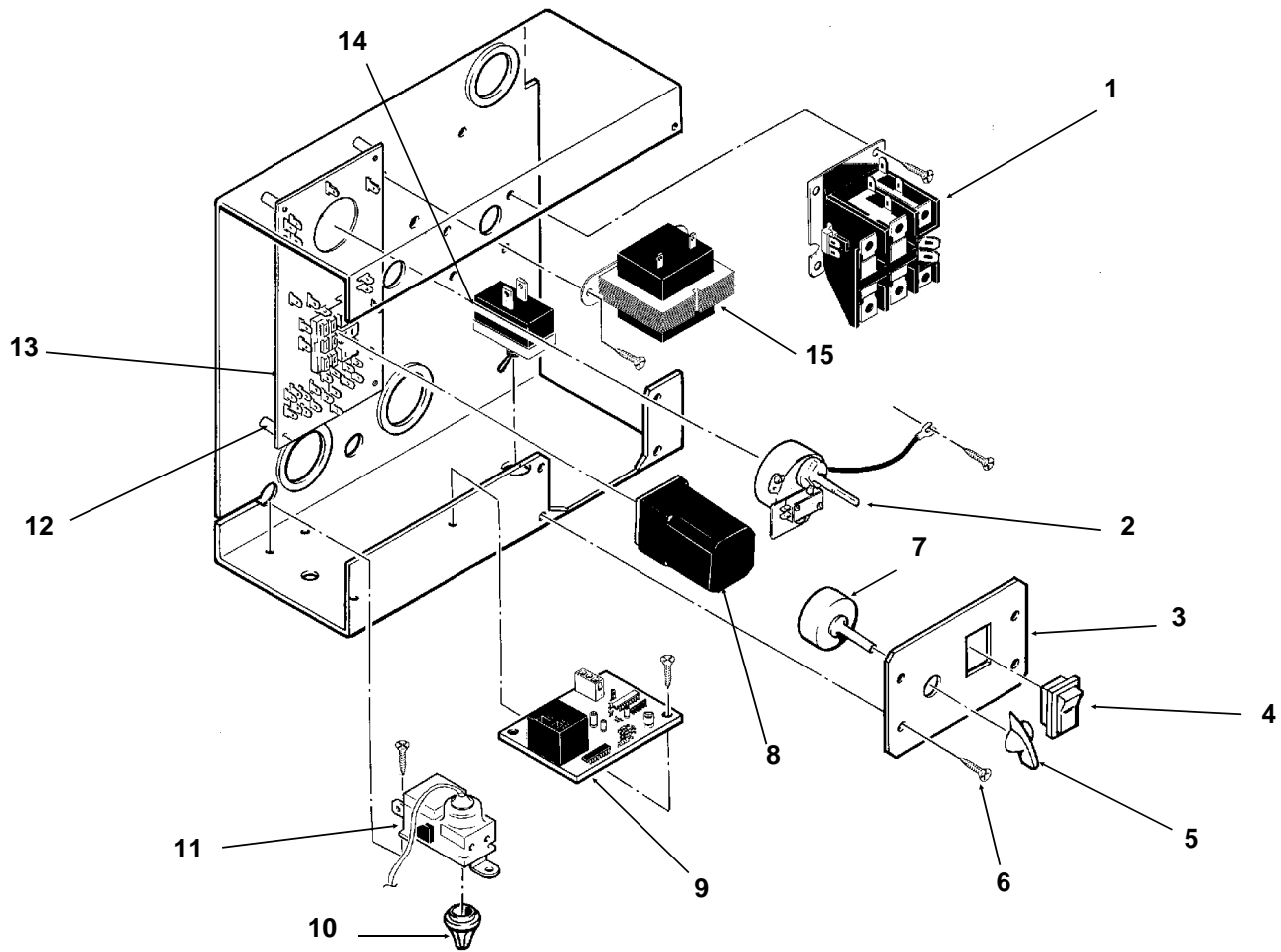
MCM1062R SERVICE PARTS

WATER SYSTEM

ITEM NUMBER	PART NUMBER	DESCRIPTION	ITEM NUMBER	PART NUMBER	DESCRIPTION
1	02-2527-01	Water Distributor Tube	8	A30296-020	Evaporator
2	02-2521-01	Water Manifold, long	9	02-2890-03	Evaporator Cover
3	13-0617-48	O-Ring	10	A35861-001	Reservoir
4	A29703-001	Water Manifold, short	11	12-1646-11	Inlet Water Valve
5	02-2895-01	Water Restrictor	12	13-0674-01	Hose (8" needed)
6	13-0674-07	Tube (need 30")	13	12-2419-62	Water Pump
7	02-3094-01	Hose clamp	14	A32462-001	Housing, pump
			15	A32551-001	Bracket, pump
			16	03-0727-00	Thumb screw
			17	03-1406-05	Nut for top of pump
			18	03-1407-03	Washer for top of pump
			19	13-0674-07	Drain hose (16.5" needed)
			20	02-3094-01	Hose clamp
			21	A32282-003	Drain
			22	03-1394-01	Pal nut
			23	16-0791-01	Coupling (half union)
			24	16-0794-01	Adaptor
			25	16-0631-02	Connector, female
			26	16-0162-00	Strainer
			27	A32474-001	Inlet Tube
			28	13-0796-01	Reservoir Drain Cap



MCM1062R SERVICE PARTS CONTROL BOX



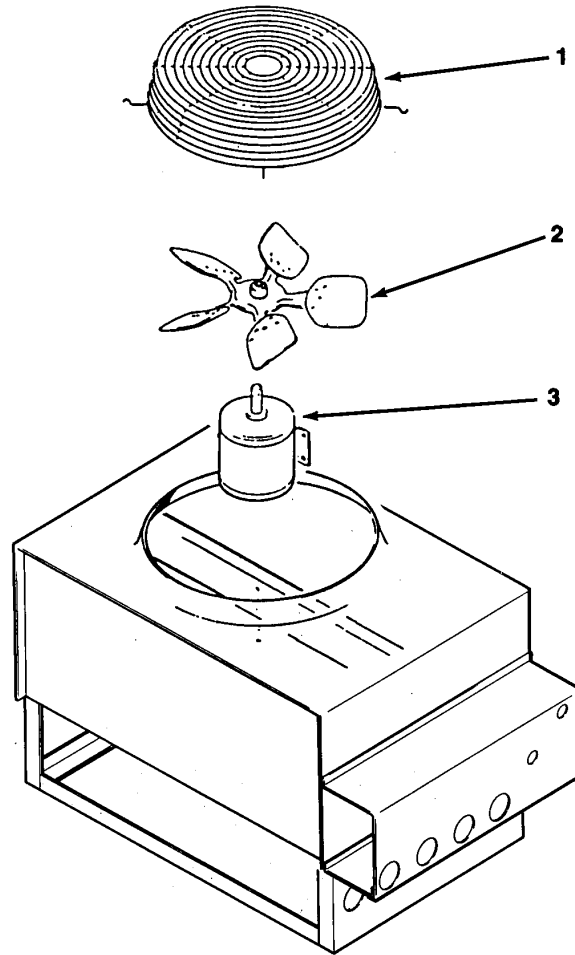
ITEM NUMBER	PART NUMBER	DESCRIPTION
1	12-0739-02	Contactora 3 phase
2	12-2317-22	Timer and microswitch
3	A34880-001	Cover plate
4	12-2375-01	ON/OFF/WASH switch
5	02-3126-01	Knob
6	03-1638-03	Screw
7	12-2400-01	Selector switch, connects to item 9
8	12-1879-03	Relay
9	12-2376-21	Bin level control board
10	no number	Knob for cube size control, part of item 11
11	11-0436-21	Cube size control, includes knob
12	02-2242-02	Stand off
13	12-1912-01	Circuit board
14	12-0426-01	Compressor on off switch
15	12-2285-22	Transformer

Not Shown:

16	A34845-001	Control Box Cover
----	------------	-------------------

MCM1062R SERVICE PARTS

SCOTSMAN REMOTE CONDENSER



RC1052

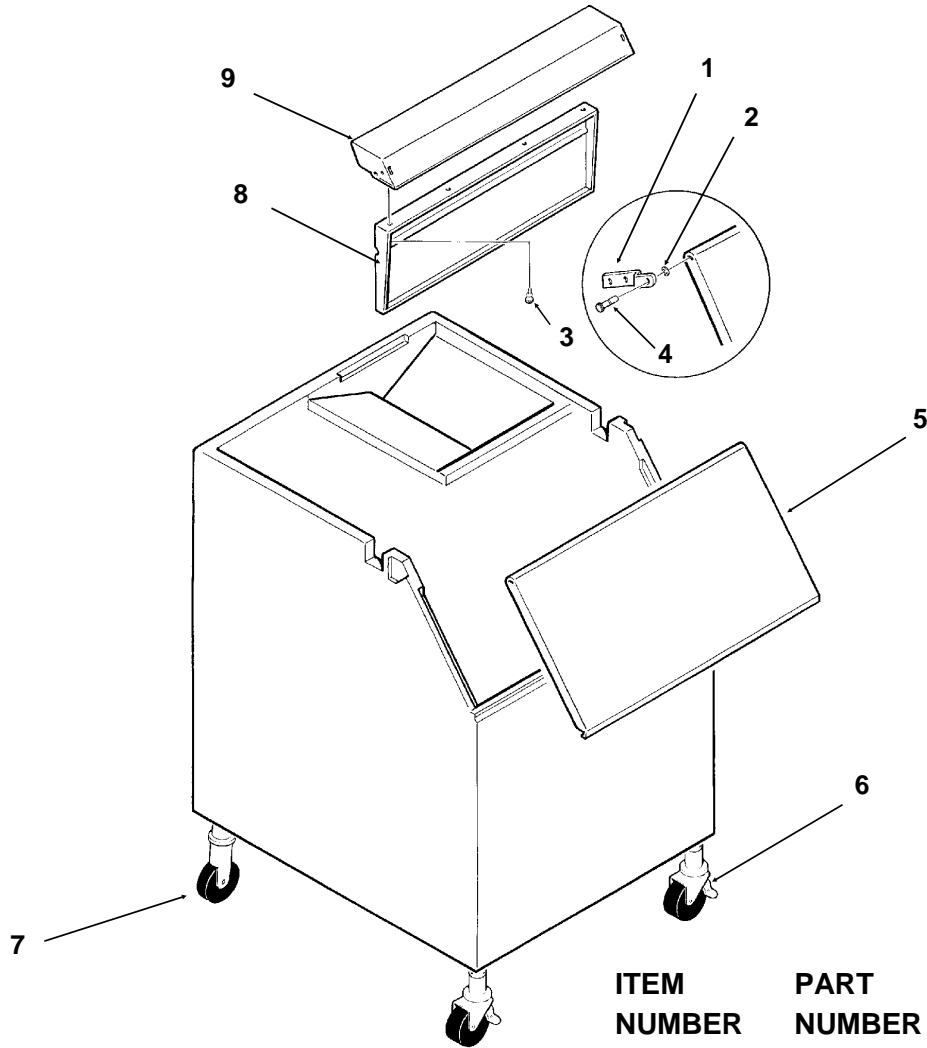
ITEM NUMBER	PART NUMBER	DESCRIPTION
1	02-2628-01	Fan Guard
2	18-6304-01	Fan Blade
3	18-5301-01	Fan Motor

For Precharged Line set:

4	16-0701-02	Female coupling (3/8")
5	16-0701-10	Female coupling (1/2")

MCM1062R SERVICE PARTS

MDB560 ICE STORAGE BIN SERVICE PARTS



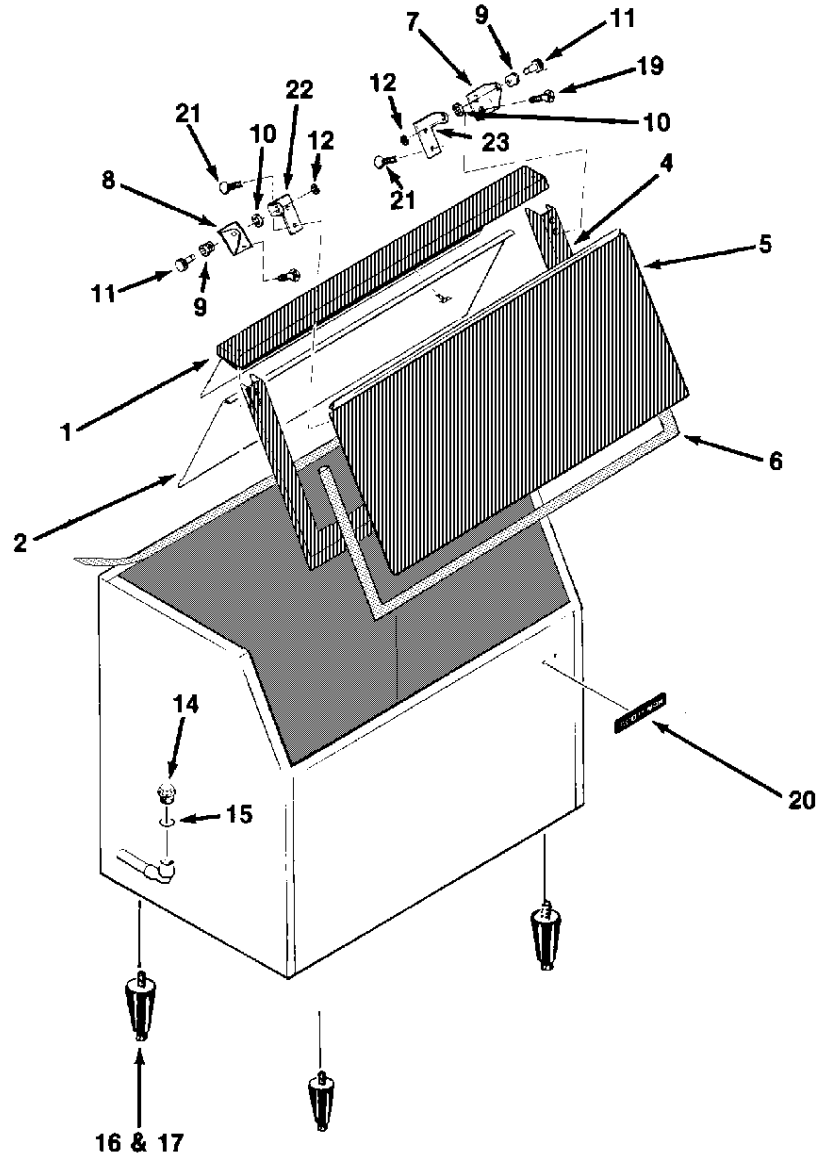
ITEM NUMBER	PART NUMBER	DESCRIPTION
1	02-3139-01	Hinge Bracket
2	03-1539-09	E Ring
3	03-0727-11	Thumb Screw
4	02-2806-01	Shoulder screw
5	A35368-020	Bin Door
6	02-3111-01	Front Caster (swivel)
7	02-3110-01	Back Caster
8	A34932-001	Baffle
9	A35021-020	Canopy Assy

Not Shown:

10	19-0503-04	Bin Top Gasket (req. 104")
11	02-0540-01	Scoop
12	A34930-001	Scoop Holder
13	A34931-001	Bumper
14	02-2390-02	Spacer for hinges

MCM1062R SERVICE PARTS

MDB550 ICE STORAGE BIN



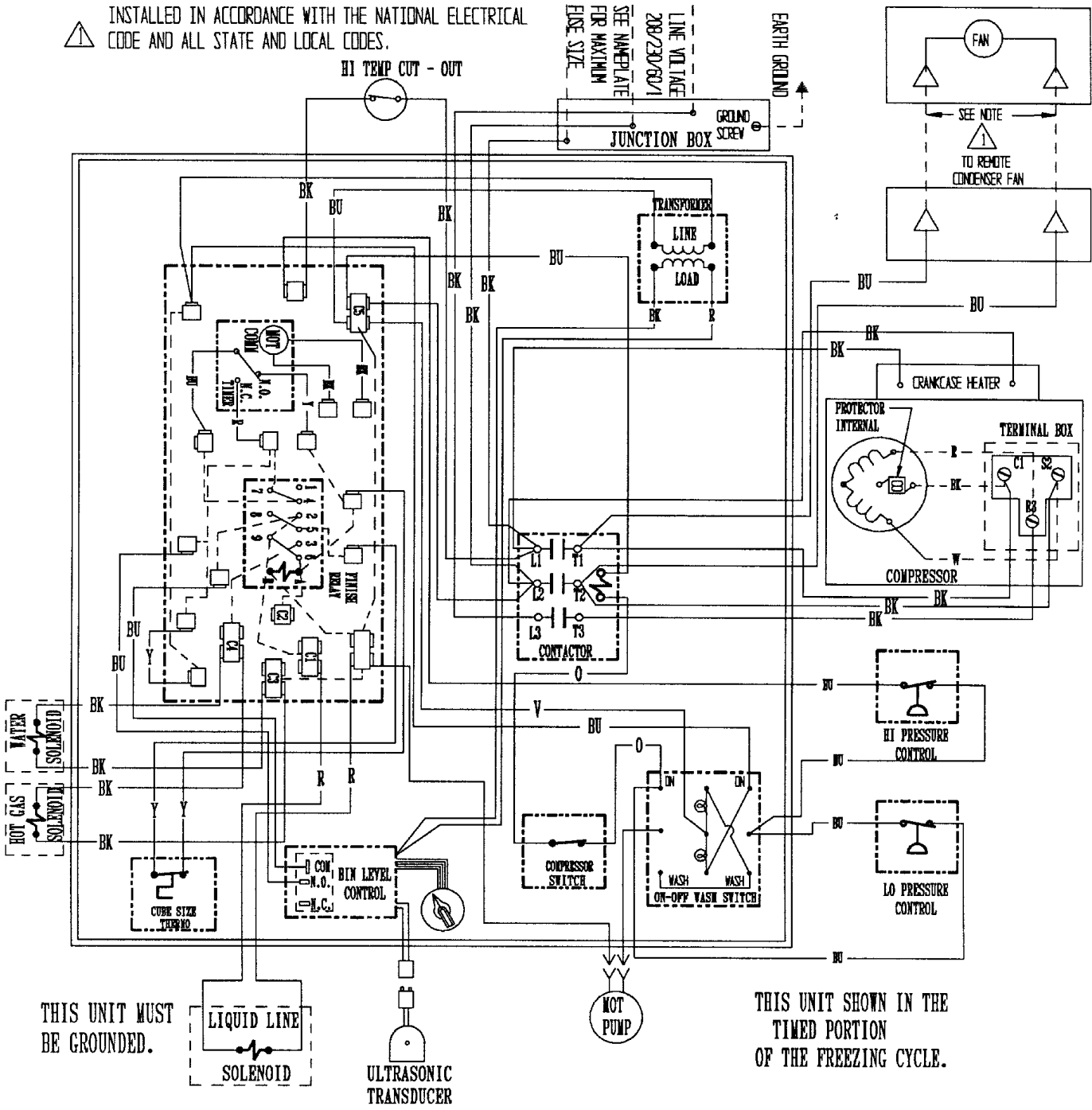
MDB550

ITEM NUMBER	PART NUMBER	DESCRIPTION	ITEM NUMBER	PART NUMBER	DESCRIPTION
1	A33921-001	Canopy	14	02-2809-01	Drain Top
2	a32580-001	Baffle	15	13-0617-11	O-Ring
3	19-0503-04	Gasket	16	no number	Leg, not used.
4	A33922-020	Door Frame	17	02-3111-01	Front caster, swivel
5	A33938-020	Door		02-3110-01	Back caster
6	13-0595-00	Door Gasket, 6' req.	18	03-1404-06	Screw
7	A32396-002	Hinge Right	19	03-1360-02	Screw
8	A32396-001	Hinge Left	20	no number	not used
9	02-2380-02	Hinge Bushing	21	03-1418-41	Screw
10	02-2380-02	Hinge Spacer	22	A32546-001	Door hinge left
11	02-2806-01	Shoulder Screw	23	A32546-002	Door hinge right
12	03-1539-09	E-Clip	24	03-1423-07	Speed nut for baffle
13	03-0727-06	Thumb Screw			

MCM1062R SERVICE PARTS

WIRING DIAGRAM 208-230/60/3

NOTE: DASHED LINES INDICATE FIELD WIRING WHICH MUST BE INSTALLED IN ACCORDANCE WITH THE NATIONAL ELECTRICAL CODE AND ALL STATE AND LOCAL CODES.



THIS UNIT MUST BE GROUND.

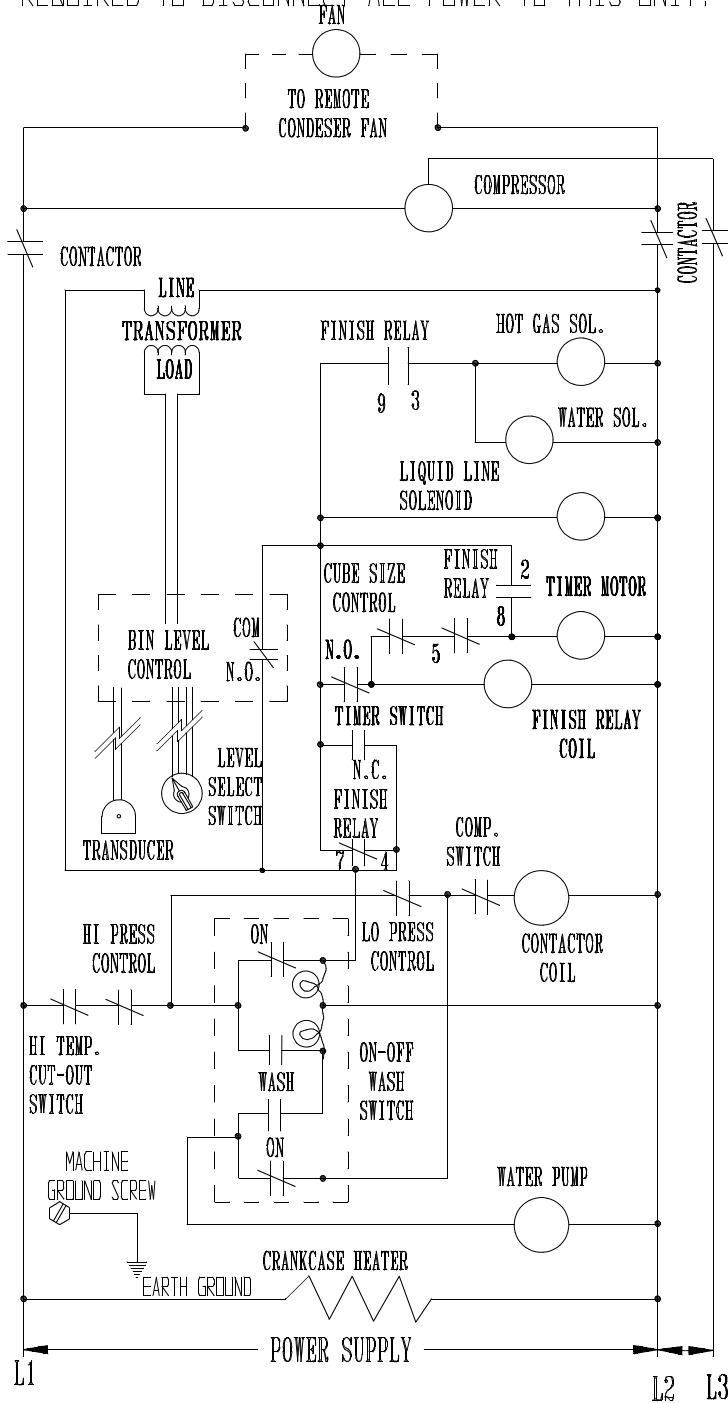
THIS UNIT SHOWN IN THE TIMED PORTION OF THE FREEZING CYCLE.

MCM1062R SERVICE PARTS

SCHEMATIC DIAGRAM 208-230/60/3

CAUTION:

MORE THAN ONE DISCONNECT MEANS MAY BE REQUIRED TO DISCONNECT ALL POWER TO THIS UNIT.



USE COPPER CONDUCTORS ONLY

NOTE:

MATERIAL TO MEET SPECIFICATIONS LISTED
ON REF. DRAWING 19-0550-01

April, 1993

Page 10