

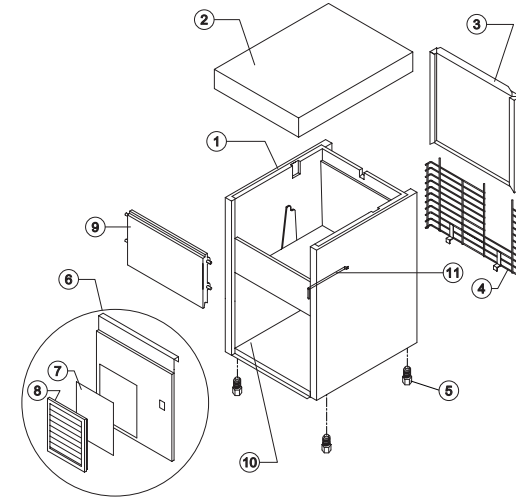


IF 26

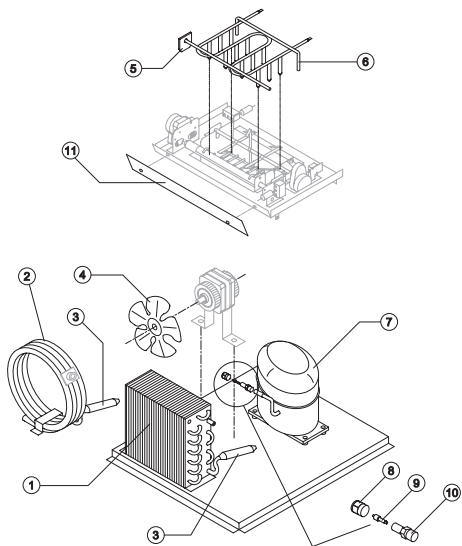
LIST OF THE EXPLODED VIEWS



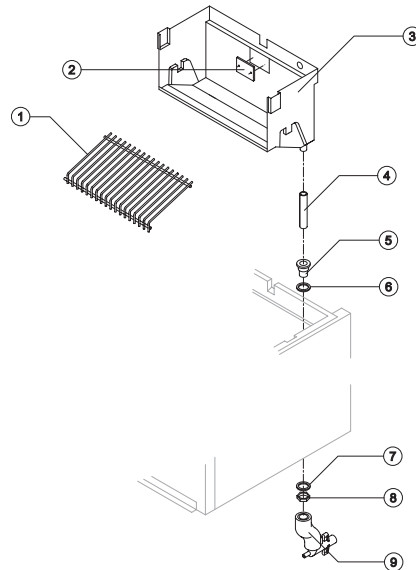
SHELL ASSY



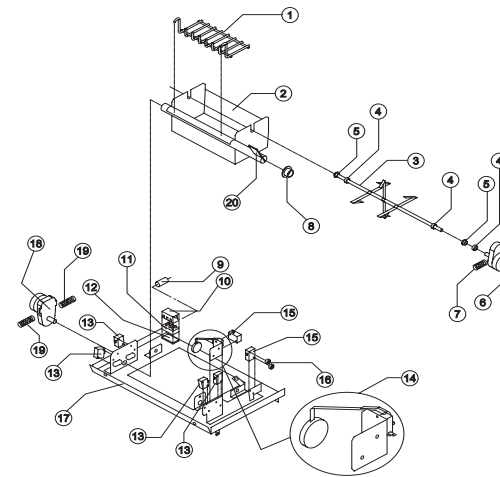
COOLING SYSTEM



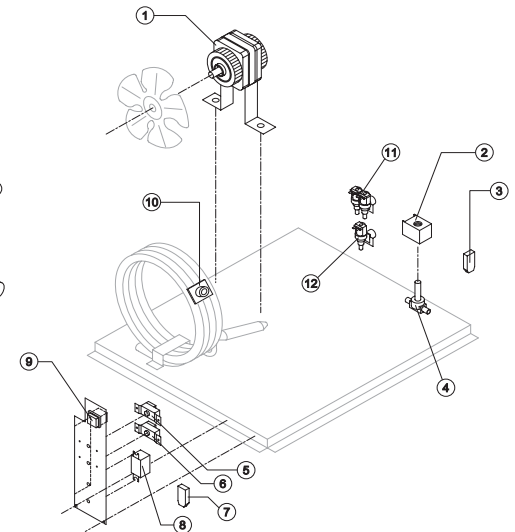
HYDRAULIC CIRCUIT



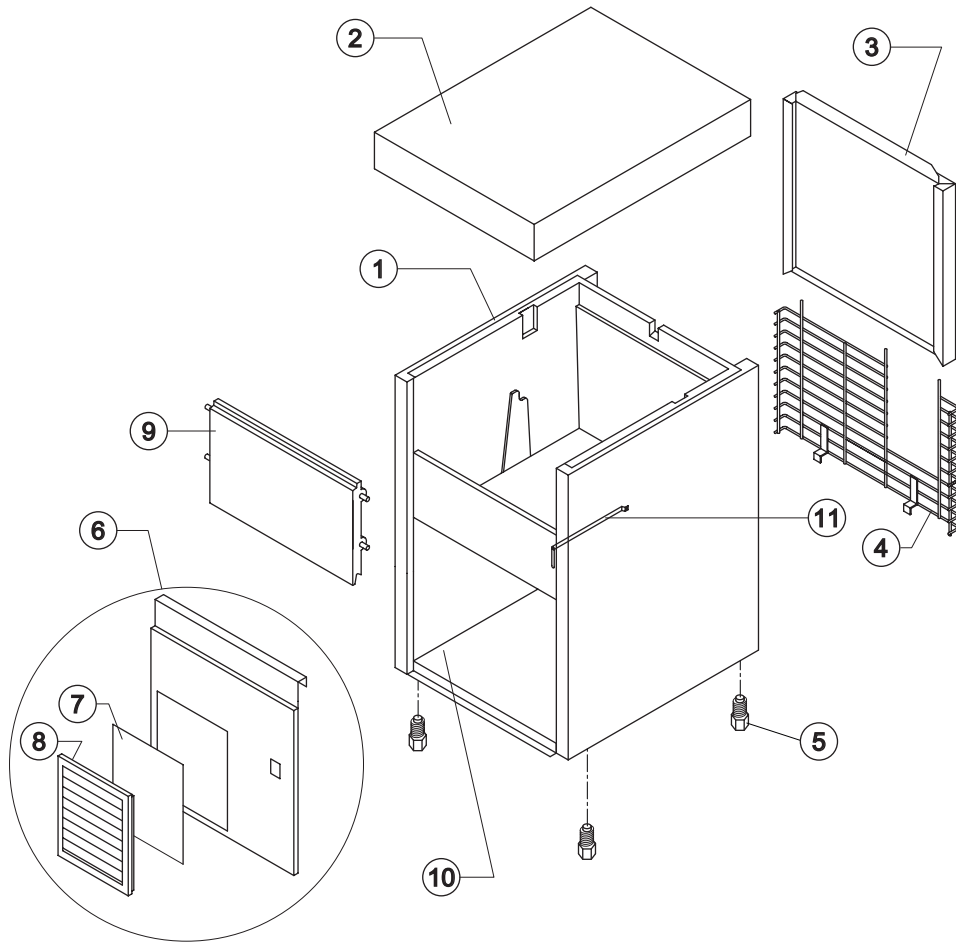
EVAPORATOR SUPPORT



ELECTRIC PARTS

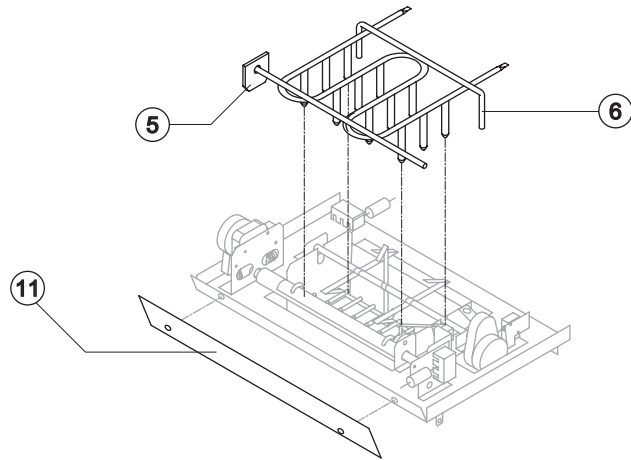


Rev. 3 - 20/10/2003



Ref.	Spare Description	Code	
1	Foamed Cabinet Assy	C11046/E	
2	Top Assembly	C22282	
3	Back Panel Assembly	C26481	
4	Rear Grid	D12002	
5	Foot	10017	
6	Front Grid Panel	Current Version	C22502
6	Front Panel	Till s/n. 29580	22004
7	Filtering Panel		18106
8	Frame with Grid & Filter		C10205
9	Door Assy		C10303
10	Base Plate		21001
11	Bulbe Thermostat Tube		20520

Rev. 3 - 20/10/2003



Common Parts

Ref.	Spare Description	Code
3	Molecular Drier	14009
5	Upright	22253
6	Evaporator	D14167
7	Compressor	23436
8	Vacuum-Charge Valve Plug	14006
9	Vacuum-Charge Valve Device	14005
10	Vacuum-Charge Valve Body	14007
11	Protection Plate	10432

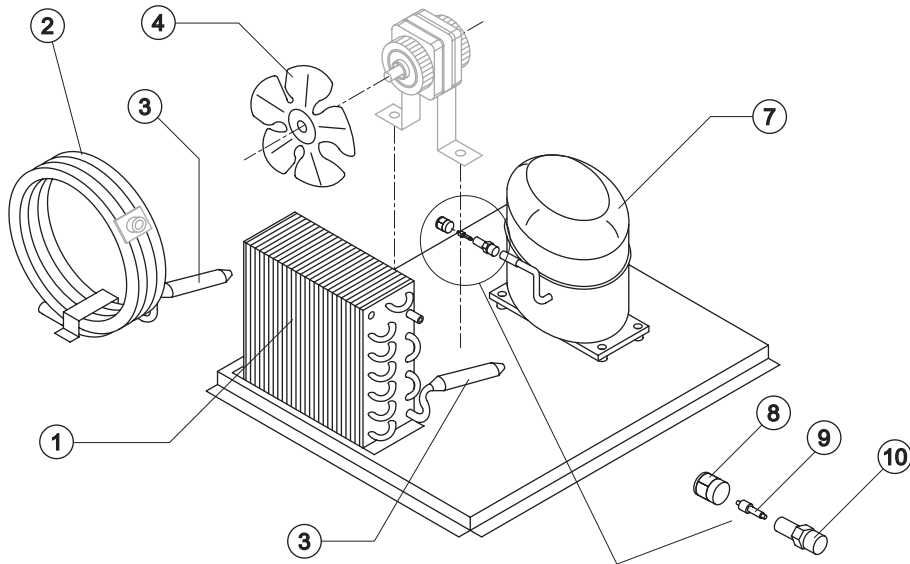
Parts for Air-Cooled Version Only

Ref.	Spare Description	Code	
1	Air Condenser	Current Version	20534
1	Air Condenser	Till s/n. 104854	20069
4	Suction Fan		20095

Parts for Water-Cooled Version Only

Ref.	Spare Description	Code
2	Water Condenser	14002
4	Suction Impeller	10213

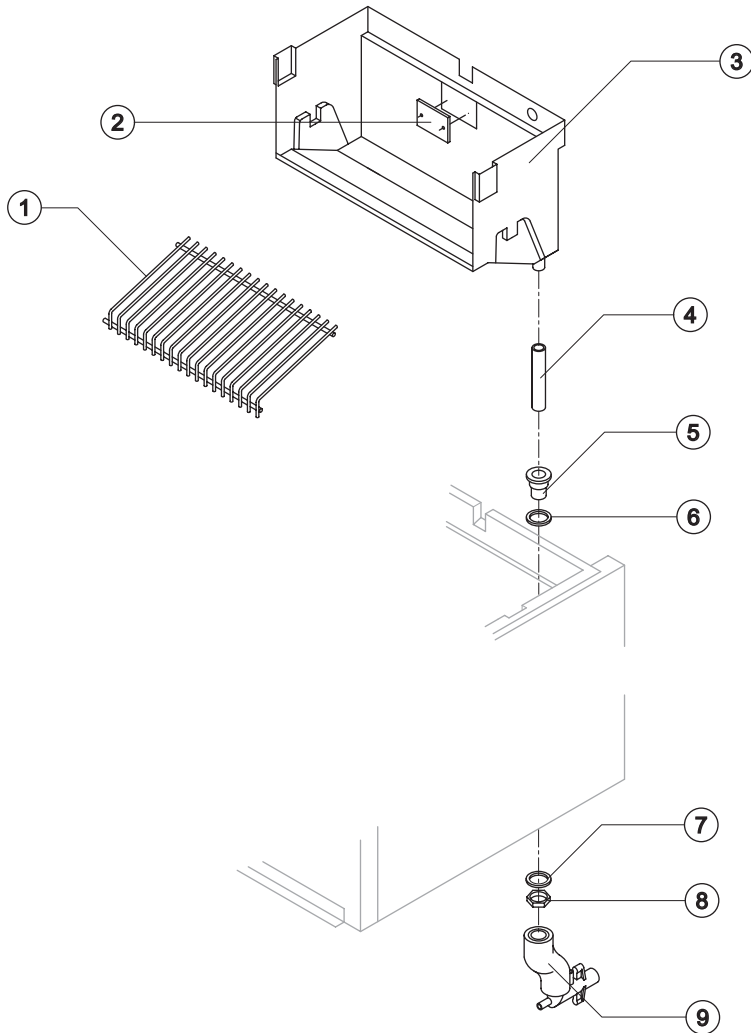
Rev. 3 - 20/10/2003





IF 26

HYDRAULIC CIRCUIT



Common Parts

Ref.	Spare Description	Code
1	Ice Cubes Slide	D12044
2	Slide Keep Plate	10009
3	Inner Basin	10254
4	Overflow Pipe	Current Version 13105
4	Overflow Pipe	Till s/n. 65246 13064
5	Plastic Nipple water Outlet	10007
6	Silicone Gasket	13006
7	Semirigid Polyethylene Gasket	13007
8	Bin Discharge Nut	10096

Parts for Air-Cooled Version Only

Ref.	Spare Description	Code
9	Discharges Manifold	C10006

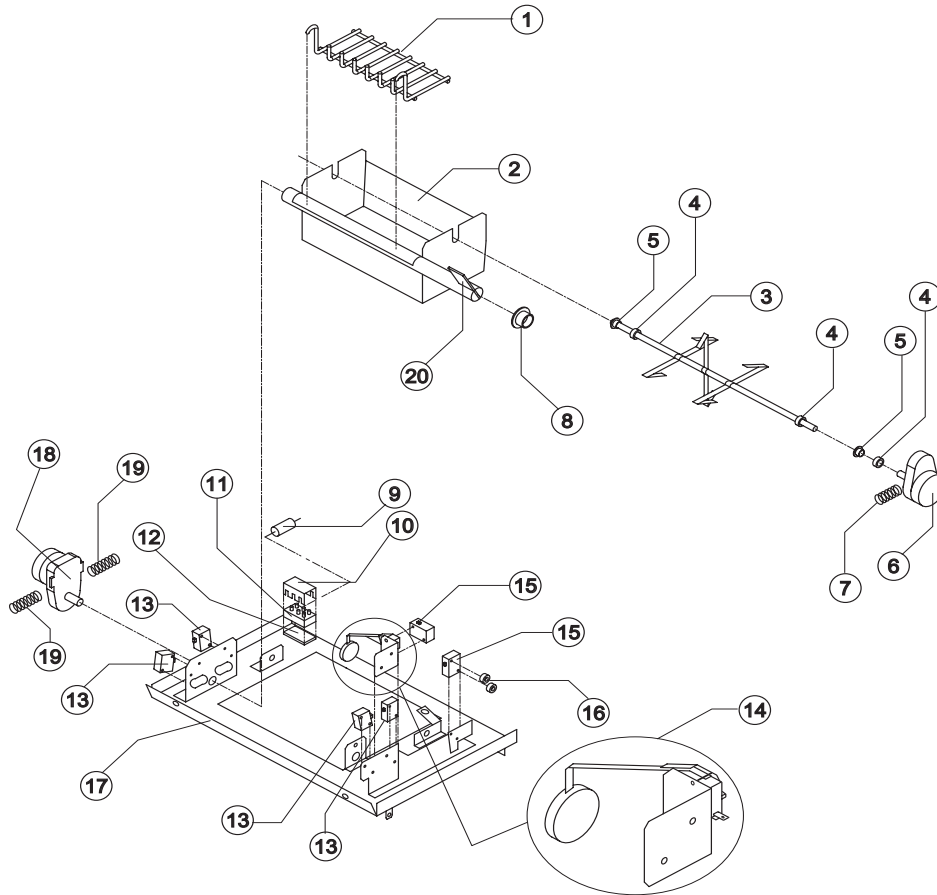
Parts for Water-Cooled Version Only

Ref.	Spare Description	Code
9	Discharges Manifold	C26452

Rev. 3 - 20/10/2003

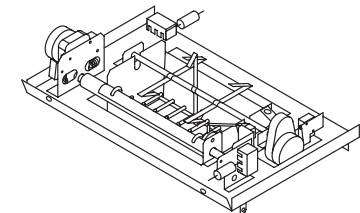


Rev. 3 - 20/10/2003



Ref.	Spare Description	Code
1	Internal Tray Slide	D12045
2	Water Basin with Pin	C22285
3	Shaft with Paddles	20258
4	Shaft Stop Ring	20227
5	Self-Lubricating Bush 06/06	20230
6	Gearmotor (for Paddles)	23194
7	Spring (Support Gearmotor)	20228
8	Self-Lubricating Bush 12/07	20231
9	Condenser 0,12 µF - 1000 V	23318
10	Terminal Cover	23250
11	Terminal	23249
12	Terminal Board Spacer	10143
13	Microswitch (usually closed)	23196
14	Working Kit for the Floating Micro	C26562
15	Microswitch (usually open)	23372
16	Switch Shimming Ring	10250
17	Evaporator Support Plate	22283
18	Gearmotor (for Turnover Basin)	23195
19	Spring (Support Gearmotor)	20232
20	Micro-Finger Connecting Link	22258

! The Complete Evaporator Support Plate has to be requested, making reference to the Code C22283.





IF 26

ELECTRIC PARTS

Common Parts

Ref.	Spare Description	Code
1	Fan Motor	23029
2	Hot Gas Coil	23091
3	Anti-Radio Interference Filter	23458
4	Hot Gas Valve Body	20410
5	Condenser Pressure Switch	23175
6	Bin Thermostat	23005
7	Anti Radio Interference Filter	23459
8	Relay	23190
9	Green Light Switch	23327

Parts for Air-Cooled Version Only

Ref.	Spare Description	Code
12	Inlet Watervlve 1Way	23001

Parts for Water-Cooled Version Only

Ref.	Spare Description	Code
10	Safety Thermostat Switch	C23114
11	Inlet Watervlve 2 Ways	23502

Rev. 3 - 20/10/2003

