

I	LAVASTOVIGLIE INDUSTRIALI
F	LAVE-VAISSELLE INDUSTRIELES
GB	INDUSTRIAL DISHWASHER
D	INDUSTRIEGESCHIRRSPÜLER
ES	LAVAVAJILLAS INDUSTRIALES



N45 PS

METRO FRANCE



MANUALE PARTI DI RICAMBIO

CATALOGUES PIECES DETACHEES

SPARE PARTS MANUALS

SPARE PARTS MANUALS

Rev. 05-2006 Cod. 200619

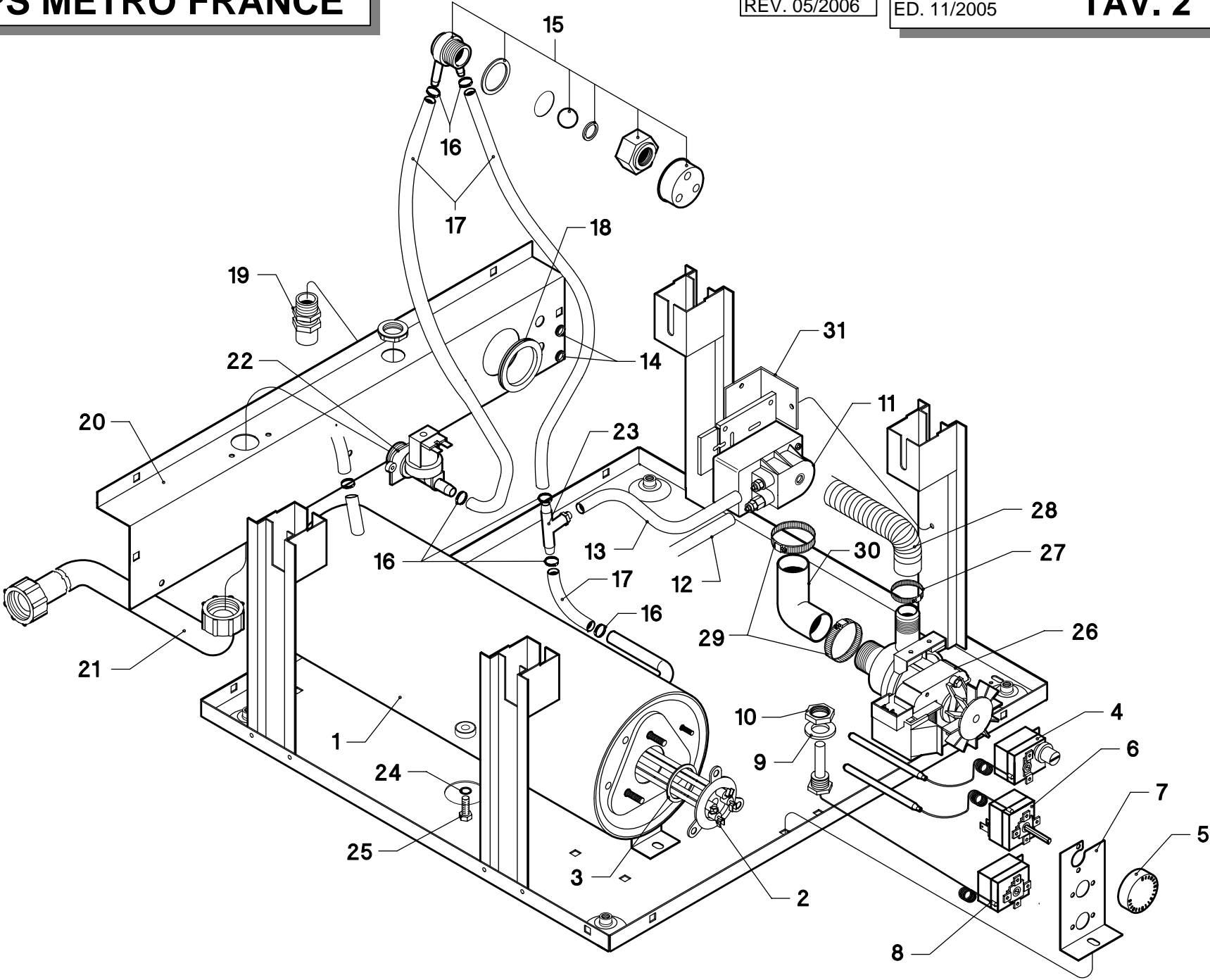
MANUAL PARTES DE REPUESTO

N45 PS METRO FRANCE

ED. 12/2005

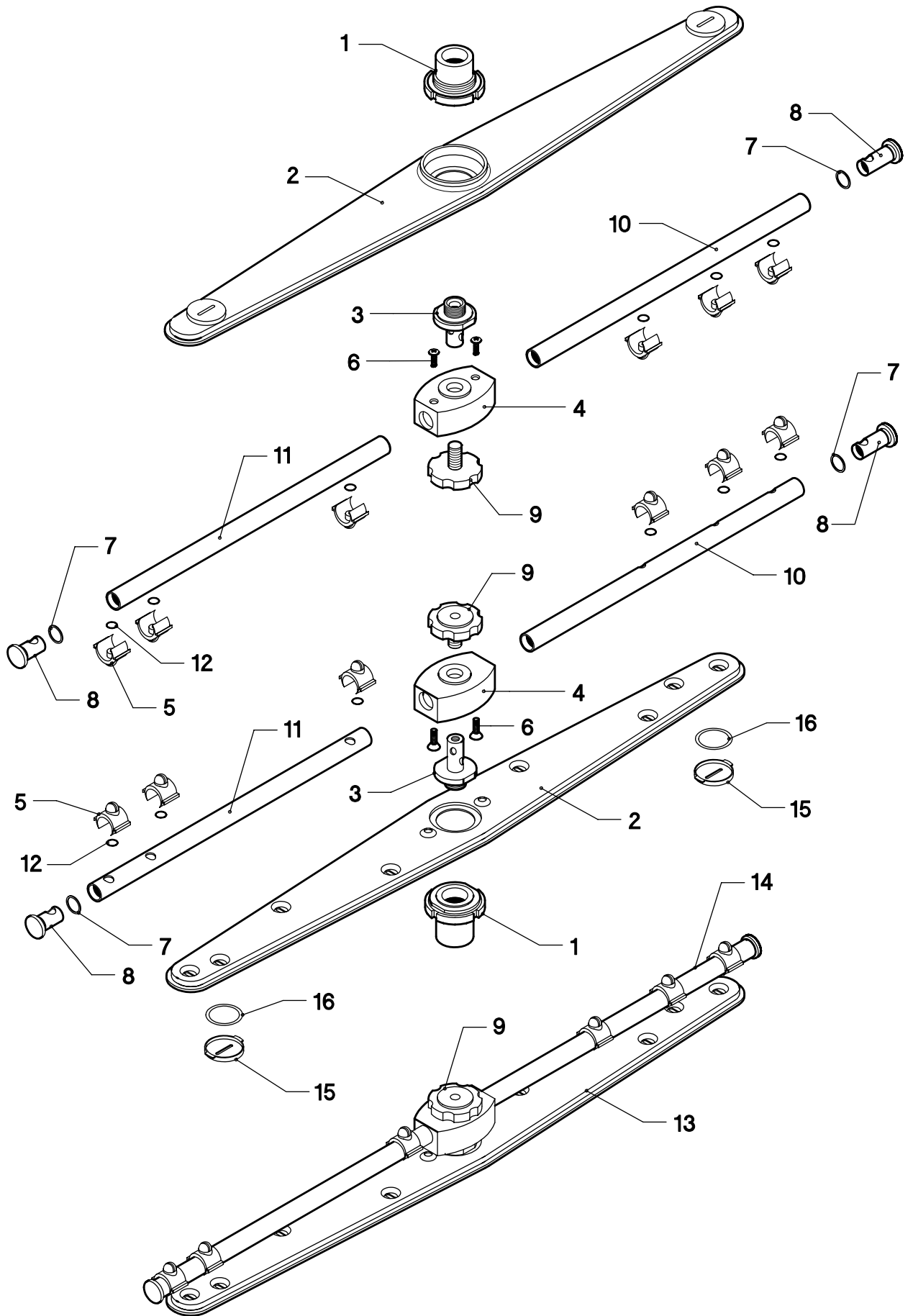
TAV. 1

Pos.	COD.	Q.tà	DESCRIZIONE	DENOMINATION	DESCRIPTION	BEZEICHNUNG	DESCRIPCIÓN
1	900268	1	BASAMENTO	SOCLE	BASE	UNTERSTRUKTUR	BASE
2	901705	1	VASCA	CUVE	TANK	TANK	PILETA
3	905082	1	PORTA	PORTE	DOOR	TÜR	PUERTA
4	906121	1	SCROCCHETTO	CLIQUET FERMETURE PORTE	DOOR CATCH	SCHNAPPVERSCHLUSS	SCROCCHETO
5	902023	1	DADO SCROCCHETTO	ECROU DE CLIQUET	NUT CATCH	KLIKENMUTTER	TUERCA
6	903651	1	CUSTODIA CON MAGNETE	PROTECTION MAGNETO	COVER MAGNET	MAGNETSCHUTZ	ESTUCHE CON IMÁN
7	903933	1	MANIGLIA	MANILLE	HANDLE	KLINKE	MANILLA
8	906730	1	PROFILO MANIGLIA	LISTEAU MANILLE	HANDLETRIM	KLINKE PROFIL	PERFIL MANILLA
9	901249	1	CERNIERA SX	CHARNIÈRE GAUCHE	LEFT HINGLE	LNK SCHARNIER	BISAGRA IZQUIERDA
10	901248	1	CERNIERA DX	CHARNIÈRE DROITE	RIGHT HINGLE	RCT SCHARNIER	BISAGRA DERECHA
11	908041	2	MOLLA	RESSORT	SPRING	SCHEIBE	RESORTE
12	904990	4	PIEDINO	PIED	RUBBER LEG	EINSTELLBARERSOCKE	PIÉ
13	904592	1	PANNELLO LATERALE DX	PANNEAU DROITE	RIGHT PANEL	RECHTE VERKLEIDUNG	PANEL DERECHO LATERAL
14	904593	1	PANNELLO LATERALE SX	PANNEAU GAUCHE	LEFT PANEL	LINKE VERKLEIDUNG	PANEL IZQUIERDO LATERAL
15	904597	1	PANNELLO POSTERIORE	PANNEAU POSTERIEUR	BACK PANEL	HINTERE VERKLEIDUNG	PANEL POSTERIOR
16	904589	1	PANNELLO SUPERIORE	PANNEAU SUPERIEUR	UPPER SIDE PANEL	OBERE VERKLEIDUNG	PANEL SUPERIOR
17	904595	1	PANNELLO INFERIORE	PANNEAU INFERIEUR	LOWER PANEL	UNTERE VERKLEIDUNG	PANEL INFERIOR
18	908146	2	GUARNIZIONE	JOINT	GASKET	DICHTUNG	GUARNICIÓN



Pos.	COD.	Q.tà	DESCRIZIONE	DENOMINATION	DESCRIPTION	BEZEICHNUNG	DESCRIPCIÓN
1	900486	1	BOILER 4,5KW	CHAUFFE EAU	BOILER	HEISSWASSERSPEICHER	BOILER
2	905560	1	RESISTENZA 4,5KW	RESISTANCE	HEATINGELEMENT	HEIZKÖRPER	RESISTENCIA
3	907981	1	O-RING	O-RING	O-RING	O-RING	O-RING
4	907125	1	TERMOSTATO DI SICUREZZA	THERMOSTAT	THERMOSTAT	THERMOSTAT	TERMÓSTATO DE SEGURIDAD
5	903982	1	MANOPOLA	BOUTON	KNOB	KNOPF	EMPUÑADURA
6	TR0440	1	TERMOSTATO REG. 0° - 90°	THERMOSTAT	THERMOSTAT	THERMOSTAT	TERMÓSTATO
7	906367	1	SUPPORTO TERMOSTATI	SUPPORT THERMOSTAT	THERMOSTAT SUPPORT	THERMOSTATHALTER	SOPORTE TERMÓSTATO
8	907124	1	TERMOSTATO VASCA	THERMOSTAT	THERMOSTAT	THERMOSTAT	TERMÓSTATO PILETA
9	904991	1	GUARNIZIONE	JOINT	GASKET	DICHTUNG	GUARNICIÓN
10	902104	1	GHIERA 3/8" GAS	VIROLE	LOCK-NUT	NUT-MUTTER	DADO DE AJUSTE
11	901998	1	DOSATORE	DOSEUR	RINSE AID DISPENSER	DOSIERSATZ	DOSADOR
12	907278	1	TUBO 4X6 CRYSTAL TRASPARENTE	TUYAU CRISTAL	CRYSTAL PIPE	KRISTALLROHR	TUBO CRISTAL
13	907279	1	TUBO SILICONE 4 x 7	TUYAU DE SILICONE	SILICONE PIPE	SILIKONROHR	TUBO DE SILICONA
14	904723	2	PASSACAVO	CHAUMARD	FAIRLEAD	KABELDURCHGANG	AISLADOR
15	TR2433	1	VALVOLA ANTIRIFLUSSO	VALVE	VALVE	VENTIL	VALVULA
16	902440	5	FASCETTA 13 ÷ 20	COLLIER	CLAMP	SHELLE	ABRAZADERA
17	907295	3	TUBO GOMMA 12 x 19,5	TUYAU EN CAOUTCHOUC	RUBBER HOSE	GUMMISCHLAUCH	TUBO GOMA
18	904721	1	PASSACAVO	CHAUMARD	FAIRLEAD	KABELDURCHGANG	AISLADOR
19	902683	1	PRESSACAVO PG. 16	FIXAGE DU CABLE D'ALIM.	FIXING CABLE	KABELBEFESTIGER	PRESACAVO
20	903447	1	SUPPORTO ELETTROVALVOLA	PALIER SOUPAPE ELECTRIQUE	BEARING ELECTRIC VALVE	TRÄGE ELEKTROVENTIL	SOPORTO VALVULA ELECTRICA
21	907344	1	TUBO DI CARICO	TUYAU D'ENTREE DE L'EAU	INLETPPIPE	WASSERZUFÜHRROHR	TUBO
22	902390	1	ELETTROVALVOLA 1 VIA	SOUPAPE ELECTRIQUE	ELECTRICVALVE	ELEKTROVENTIL	VALVULA ELECTRICA
23	905408	1	RACCORDO A "T"	RACCORD	PIPEFITTING	ANSCHLUSSE	EMPALME
24	904430	1	O-RING	O-RING	O-RING	O-RING	O-RING
25	907820	1	VITE T.E. M8x12	VIS	SCREW	SCHRAUBE	TORNILLO
26	902337	1	POMPA SCARICO VASCA	POMPE DÉCHARGE	DRAIN PUMP	PUMPE SPÜLUNG	BOMBA DESAGOTE
27	902454	1	FASCETTA 19÷28	COLLIER	CLAMP	SHELLE	ABRAZADERA
28	907439	1	TUBO DI SCARICO Ø19 PIPA 90°	TUYAU DE DÉCHARGÉ	OUTLET HOSE	ABLAUSCHLAUCH	TUBO DESAGOTE
29	902460	2	FASCETTA 26÷38	COLLIER	CLAMP	SHELLE	ABRAZADERA
30	908195	1	MANICOTTO ASPIRAZIONE	MANCHON D'ASPIRATION	INLET ELBOW	ANSAUGMUFFE	PALANCA DE ASPIRACIÓN
31	952823	1	SUPPORTO DOSATORE	SUPPORT DOSEUR	PROP. DÉVICE SUPPORT	DOSIEURZUSCHLAG	SOPORTE DOSADOR

Pos.	COD.	Q.tà	DESCRIZIONE	DENOMINATION	DESCRIPTION	BEZEICHNUNG	DESCRIPCIÓN
1	905858	1	RESISTENZA 2000W	RESISTANCE	HEATINGELEMENT	HEIZKÖRPER	RESISTENCIA
2	904957	1	PROTEZIONE RESISTENZA	PROTECTION RESISTANCE	HEATINGELEMENT PROTECTION	HEIZKÖRPER SCHUTZ	PROTECCION RESISTENCIA
3	902293	1	POMPA 0,75 HP	POMPE	PUMP	PUMPE	BOMBA
4	908155	1	MANICOTTO ASPIRAZIONE	MANCHON D'ASPIRATION	INTAKE PIPE FITTING	ANSAUGANSHLUSSE	PALANCA DE ASPIRACIÓN
5	902441	7	FASCETTA 38 + 50	COLLIER	CLAMP	SHELLE	ABRAZADERA
6	906355	1	SUPPORTO POMPA	SUPPORT POMPE	PUMP SUPPORT	PUMPE TERUNG	SOPORTE BOMBA
7	905255	1	POZZETTO	PUISARD	SUMP	SCHACHT	POZUELO
8	905256	1	FLANGIA	VIS	SCREW	SCHRAUBE	SOPORTE
9	905257	1	GUARNIZIONE	JOINT	GASKET	DICHTUNG	GUARNICIÓN
10	902460	1	FASCETTA 26 + 38	COLLIER	CLAMP	SHELLE	ABRAZADERA
11	908156	1	MANICOTTO MANDATA	TUYAU DE DÉCHARGÉ	OUTLETPPIPE	ABLAUFSCHLAUCH	TUBO DESAGOTE
12	907254	1	TRAPPOLA ARIA	RESERVOIR AIR	AIR TRAP	LUFTFALLE	TRAMPA DEL AIRE
13	903261	1	GUARNIZIONE	JOINT	GASKET	DICHTUNG	GUARNICIÓN
14	907926	1	PIASTRINA TRAPPOLA	PLAQUE PIEGE	TRAP PLATE	PLATTE MIT FANGSTELLE	CHAPA TRAMPA
15	905456	1	MOZZO LAVAGGIO/RISCIACQUO	MOYEU DE LAVAGE/RINÇAGE	WASHING/RINSE HUB	SPÜLUNG/NASCHSPÜLUNG NABE	BUJE DE LAVADO/ENJUAGUE
16	908141	1	GUARNIZIONE	JOINT	GASKET	DICHTUNG	GUARNICIÓN
17	902183	1	DISTANZIALE	ENTRETOISE	SPACER	ENTFERNUNGSSTÜCK	DISTANCIADOR
18	905388	1	RACCORDO INFER. LAVAGGIO	RACCORD DE LAVAGE INFER.	WASHING INFER. PIPE FITTING	UNTERANSCHLUSS WASCHEN	EMPALME INFER. DE LAVADO
19	908143	1	PERNO RISCIACQUO INFERIORE	TOURILLON DE RINÇAGE INFER.	INFERIOR RINSE PIN	UNTERSPELLSTIFT	PERNO ENJUAGUE INFERIOR
20	903756	2	TUBO GIUNZIONE	TUYAU	PIPE	SCHLAUCH	TUBO
21	903744	1	TUBO MANDATA SUPERIORE	TUYAU DE REFOUL. SUPERIEUR	UPPER OUTLET PIPE	OBEREAUSLASSROHR	TUBO DE MANDO SUPERIOR
22	906700	1	FILTRO ANTERIORE	FILTRE ANTÉRIEUR	FRONT FILTER	VORDERER FILTER	FILTRO DELANTERO
23	906701	1	FILTRO POSTERIORE	FILTRE POSTERIEUR	BACK FILTER	HINTERE FILTER	FILTRO POSTERIOR
24	904799	1	PERNO RISCIACQUO	TOURILLON DE RINÇAGE	RINSE PIN	SPÜLLSTIFT	PERNO ENJUAGUE
25	907869	4	VITE M5x12	VIS	SCREW	SCHRAUBE	TORNILLO
26	908124	1	FLANGIA	FLASQUE	FLANGE	FLANSCH	SOPORTE
27	908141	1	GUARNIZIONE	JOINT	GASKET	DICHTUNG	GUARNICIÓN
28	905449	1	MOZZO SUPERIORE SX	MOYEU SUPERIEUR SX	UPPER HUB SX	OBERNABE SX	BUJE SUPERIOR SX
29	902440	4	FASCETTA 13 + 20	COLLIER	CLAMP	SHELLE	ABRAZADERA
30	905382	1	RACCORDO A "T"	RACCORD	PIPEFITTING	ANSCHLUSSE	EMPALME
31	907295	3	TUBO GOMMA 12 x 19,5	TUYAU EN CAOUTCHOUC	RUBBER HOSE	GUMMISCHLAUCH	TUBO GOMA
32	904469	1	FILTRO	FILTRE	FILTER	FILTER	FILTRO
33	907303	1	TROPPO PIENO	-	-	-	-
34	904404	1	O - RING	-	-	-	-



N45 PS METRO FRANCE

ED. 11/2005

TAV. 4

Pos.	COD.	Q.tà	DESCRIZIONE	DENOMINATION	DESCRIPTION	BEZEICHNUNG	DESCRIPCIÓN
1	904277	2	MOZZO + GHIERA	MOYEU + VIROLE	HUB + RING - NUT	NABE + KLEMMUTTER	BUJE + ABRAZADERA
2	902907	2	GIRANTE LAVAGGIO	BRAS DE LAVAGE	WASH ARM	SPÜLLARM	RODETE LAVADO
3	904760	2	PERNO GIRANTE RISC.	TOURILLON DE RINÇAGE	RINSE PIN	SPÜLLSTIFT	PERNO RODETE ENJUAGUE
4	904292	2	MOZZO GIRANTE RISC.	MOYEU	HUB	NABE	BUJE RODETE ENJUAGUE
5	902816	12	GETTO RISCIAQUO	JET DE RINÇAGE	RINSING JET	SPÜLLDUSE	CHORRO ENJUAGUE
6	907651	4	VITE TPS M 4x8	VIS	SCREW	SCHRAUBE	TORNILLO
7	904321	4	O - RING	O - RING	O - RING	O - RING	O-RING
8	906450	4	TAPPO PER BRACCIO RISC.	BOUCHON BRAS DE RINÇAGE	PLUG FOR RINSE ARM	VERSCHLUSS SPÜLLAUF.	TAPÓN PARA BRAZO ENJUAGUE
9	902880	2	GHIERA BLOCCAGGIO	FRETTE DE BLOCAGE	RING -NUT	KLEMMUTTER	ABRAZADERA BLOQUEO
10	954804	2	BRACCIO RISCIAQUO DX	BRAS DE RINÇAGE DROITE	RIGHT RINSE ARM	RECHTE SPÜLLAUFRAD	BRAZO ENJUAGUE DERECHO
11	954805	2	BRACCIO RISCIAQUO SX	BRAS DE RINÇAGE GAUCHE	LEFT RINSE ARM	LINKE SPÜLLAUFRAD	BRAZO ENJUAGUE IZQUIERDO
12	904388	12	O - RING	O - RING	O - RING	O - RING	O-RING
13	903106	2	GIRANTE LAVAGGIO COMP.	BRAS DE LAVAGE	WASH ARM	SPÜLLARM	RODETE LAVADO COMPL.
14	903016	2	GIRANTE RISCIAQUO COMP.	BRAS DE RINÇAGE.	SWILLARM	SPÜLLSTIFT	RODETE ENJUAGUE COMP.
15	906445	4	TAPPO ISPEZIONE	BOUCHON	PLUG	FROPFEN	TAPÓN
16	904324	4	O-RING TAPPO ISPEZIONE	O-RING	O-RING	O-RING	O-RING

N45 PS METRO FRANCE

ED. 12/2005

TAV. 5

Pos.	COD.	Q.tà	DESCRIZIONE	DENOMINATION	DESCRIPTION	BEZEICHNUNG	DESCRIPCIÓN
1	955318	1	PIASTRA PORTACOMPONENTI	PLAQUE COMPOSANTS	COMPONENT PLATE	PLATTE ZUSAMMENSETZEND	PLACA COMPONENTES
2	903984	1	TARGA	PLAQUETTE	PLATE	SCHILD	PLACA
3	905317	1	INTERRUTTORE LINEA	INTERRUPTEUR DE LIGNE	LINE SWITCH	DRUCKKNOPFVORB.	INTERRUPTOR
4	905307	4	SUPPORTO TASTO	SUPPORT BOUTON	SUPPORT KEY	TASTEHALTER	SOPORTE TECLA
5	905306	4	TASTO TONDO BLU	BOUTON BLEU	BLUE PUSH-BUTTON	BLAU DRUCKTASTE	BOTÓN AZUL
6	903633	1	LAMPADA SPIA VERDE	LAMPE	LAMP	KONTROLLAMPE	LÁMPARA
7	905312	1	PULSANTE 2 FASTON	BOUTON	PUSH-BUTTON	DRUCKTASTE	BOTÓN
8	903645	4	LAMPADA SPIA ARANCIO	LAMPE	LAMP	KONTROLLAMPE	LÁMPARA
9	907092	1	TARGA	PLAQUETTE	PLATE	SCHILD	PLACA
10	905314	2	INTERRUT. SELETT. TEMPI	INTERRUPT.SELECT.TEMPS	TIME SELECTORSWITCH	WAHLSCHALTER	INTER. SELECCIONADOR TIEMPO
11	909054	1	REED MAGNETICO	REED	REED	REED	REED MAGNÉTICO
12	907095	1	TELERUTTORE	TELERUPTEUR	CONTACTOR	SCHUTZ	TELEERRUPTOR
13	904116	1	MORSETTIERE 12 POLI	BORNES	TERMINALBOARD	KLEMMLEISTE	TABLEROS DE BORNES
14	904115	1	MORSETTIERE 12 POLI	BORNES	TERMINALBOARD	KLEMMLEISTE	TABLEROS DE BORNES
15	904150	1	MORSETTIERE	BORNES	TERMINALBOARD	KLEMMLEISTE	TABLEROS DE BORNES
16	902107	1	FILTRI ANTIDISTURBO TRIFASE	FILTRE ANTIDERANGEMENT	NOISE FILTER	ENTSTORFILTER	FILTROS DE RUIDOSIDAD
17	905486	1	RELE'	RELAIS	RELAY	RELAIS	RELE'
18	907182	1	TYMER CICLO	TYMER CYCLE	CYCLE TYMER	ZYCLUSZEITUHR	TYMER CICLO
19	905275	1	PRESSOSTATO 35/90	PRESSOSTAT	PRESSURE SWITCH	DRUCHWAECHTE	PRESOSTATO
20	905313	1	PULSANTE A 6 FASTON	BOUTON	PUSH-BUTTON	DRUCKTASTE	BOTÓN