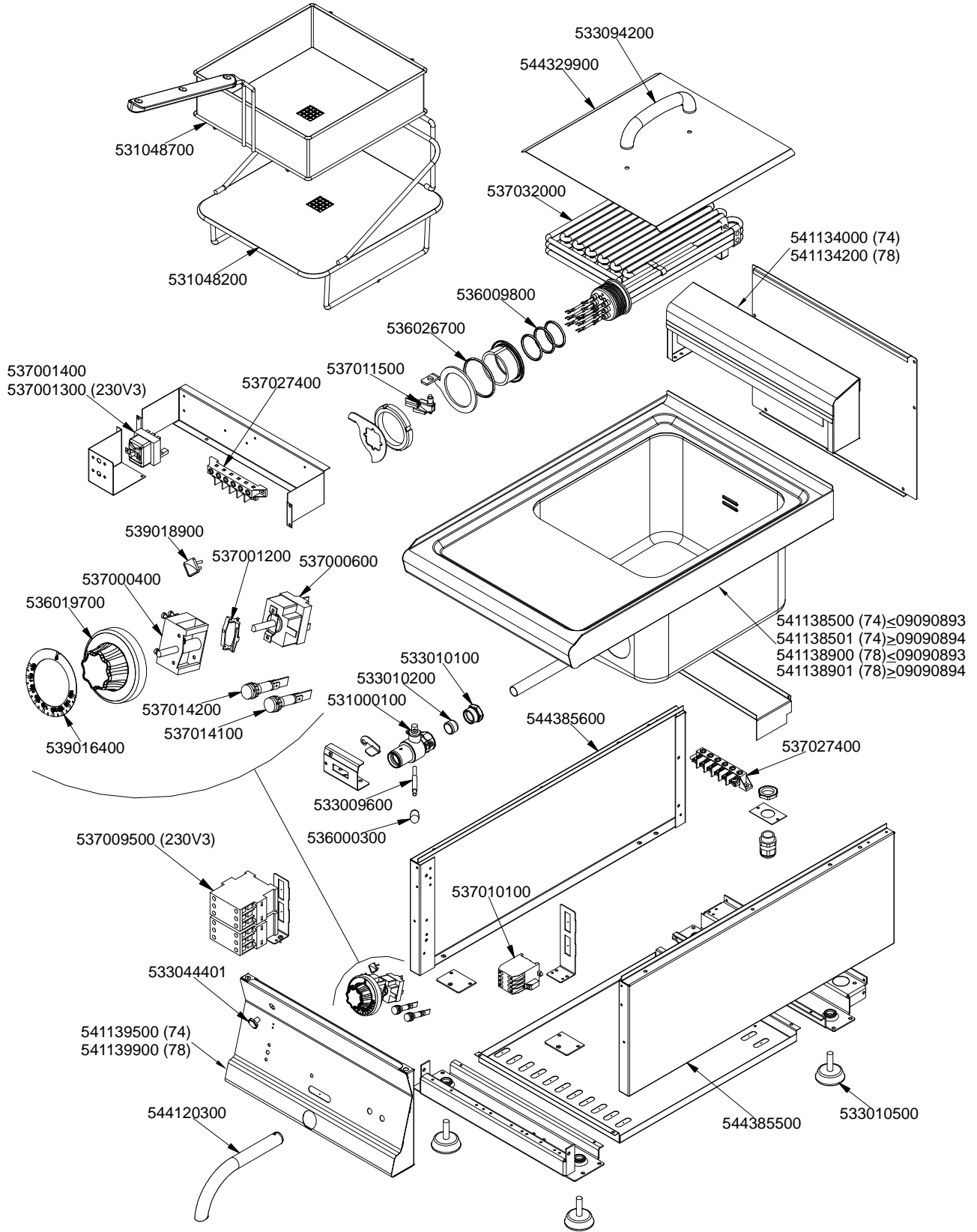


SUPERLOTUS 70 TOP

ELETTRICO / ELECTRIC / ELEKTRO / ELECTRIQUE

F13T-74 E F2/13T-78E



560040600M00P00

Page	Pos	Code	Description
001		533094200	S/S HANDLE FOR 70/90 SERIES
001		544329900	
001		531048700	BASKET F13T 280X290X095
001		537032000	HEATING ELEMENT 9750W 230V 3ELEMENT
001		541134000	NEUTRAL LOW SPACER 74
001		531048200	TANK FILTER/BASKET SUPPORT F13T-E
001		536009800	GASKET O-RING 47,22X3,53 VITON
001		536026700	GASKET O-RING 74,61X3,53 VITON
001		537011500	MICRO-SWITCH 16A
001		537027400	TERMINAL BLOCK THREEPHASE 40A
001		537001400	SAFETY THERMOSTAT 235°C THREEPHASE
001		537001300	SAFETY THERMOST.235°C SINGLEPH+NUT
001		539018900	INDEX FOR KNOB
001		537001200	FIXING BRACKET FOR THERMOSTAT/COMM.
001		537000400	COMMUTATOR 1POS.SINGLEPHASE S49 16A
001		536019700	BLACK KNOB §70 PIN §6*5
001		537000600	THERMOSTAT 90-180°C SINGLEPHASE
001		541138500	UPPER PLATE F13T-74E
001		541138501	UPPER PLATE F13T-74E
001		533010100	3/4 D. 18 PIPE UNION
001		533010200	BICONE 18S
001		531000100	DRAIN COCK 3/4"
001		537014200	GREEN WARNING LIGHT 250V
001		537014100	WHITE WARNING LIGHT 250V
001		539016400	ADHESIVE GRADUATED DISC FOR KNOB
001		533009600	DRAIN COCK HANDLE
001		536000300	FIXED GRIP D.15*25*M6
001		544385600	LEFT SIDE OF 70T LINE
001		537009500	REMOTE CONTROL SWITCH 3RT102 35A 23
001		537010100	REMOTE CONTROL SWITCH 20A 230V
001		533044401	M8 THREADED CAP FOR SEC.THERMOSTAT
001		541139500	CONTROL PANEL S70/90 F13T-74E
001		533010500	LEG M10*25 D.40
001		544120300	DRAIN PIPE 22 FOR COCK 3/4"G
001		544385500	RIGHT SIDE OF 70T LINE