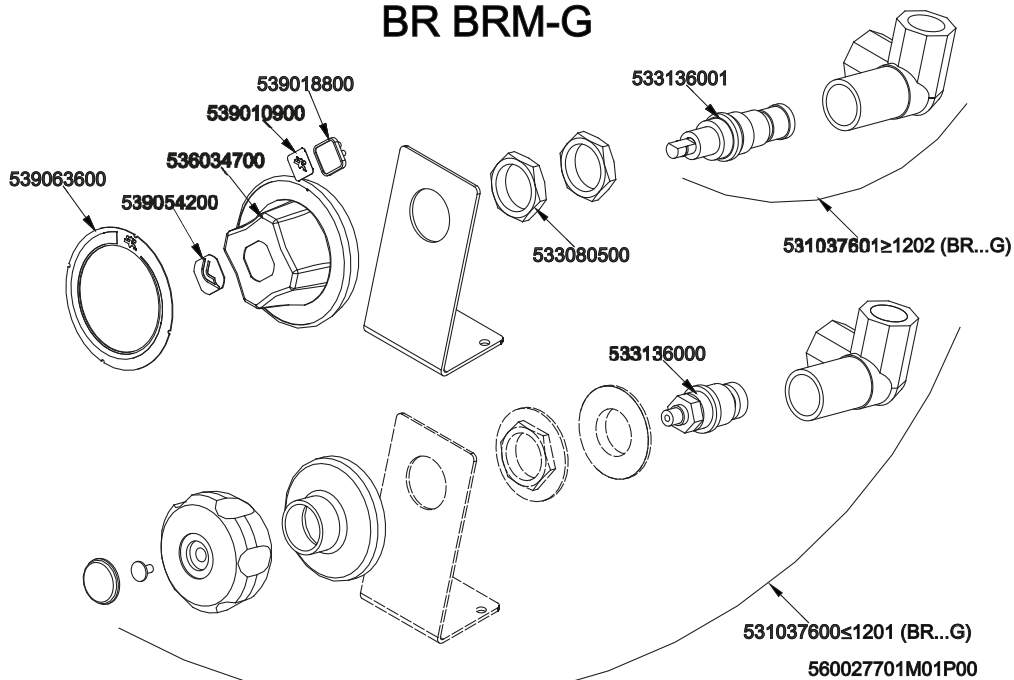
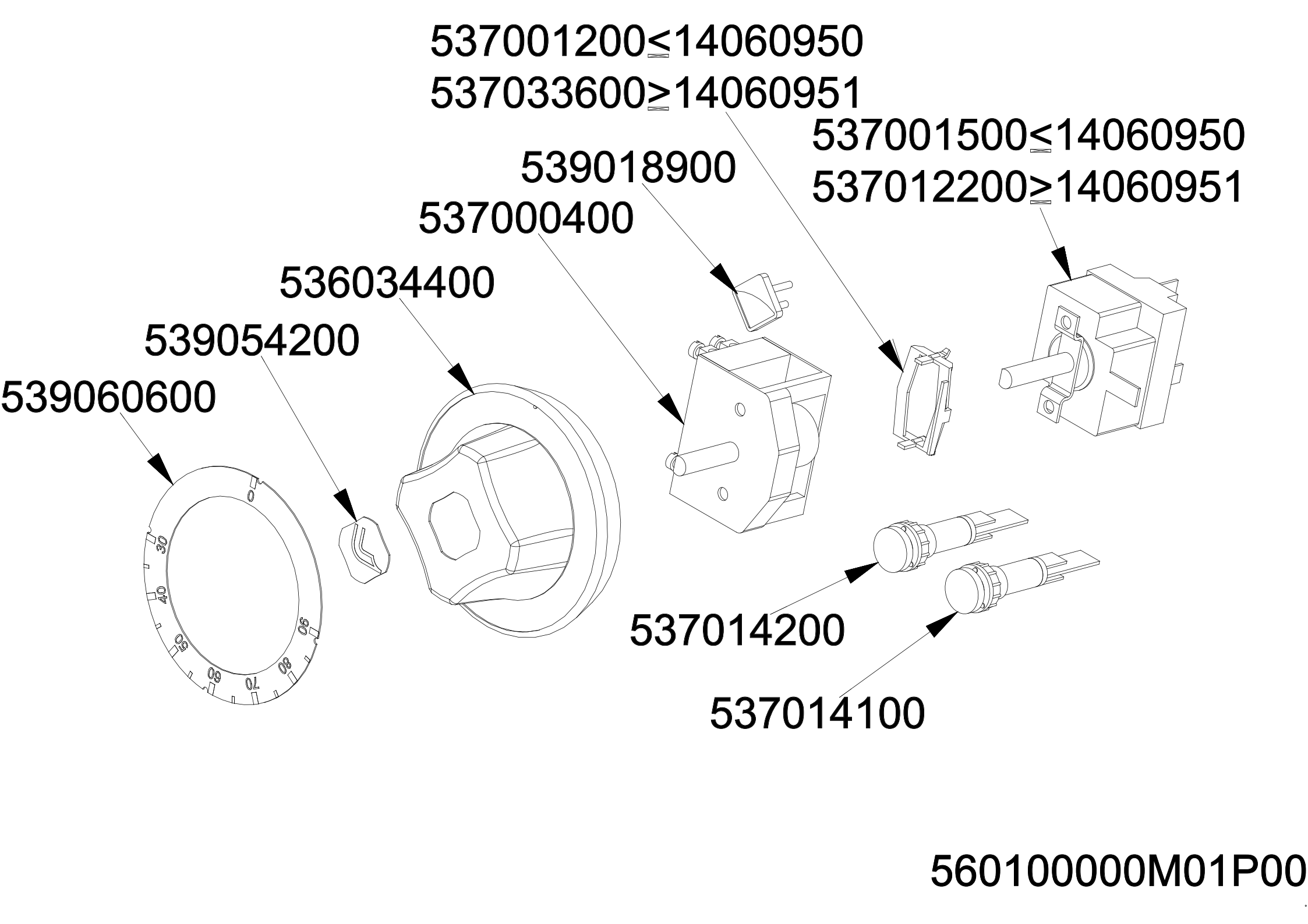


BR BRM-G





Page	Pos	Code	Description
001		541134000	NEUTRAL LOW SPACER 74
001		541105102	UPPER PLATE BM-74E
001		537012100	SECURITY THERMOSTAT SINGLEP.165°C
001		541063100	TANK DRAIN FILTER BS-4EM/CPM
001		541008100	DRAIN FILTER TANK CP 700LINE
001		537036500	TERMINAL BLOCK 4POLES 40A SCREW-SCR
001		537003800	TERMINAL BLOCK 3POLES 16A
001		544173500	LEFT SIDE PANEL S.70
001		541120501	FRONT PANEL S607090 BM-74/94E
001		546005400	RUBBER TUBE §25INT.*§33EXT.*L=470
001		546005500	RUBBER TUBE §25INT.*§33EXT.XL=660
001		533039900	PIPE HOLDER 1" G M D.24
001		533038200	1" G M-F ELBOW FITTING
001		531018600	BALL VALVE 1"G M-F CPM-62G
001		533040000	1"G F-F-F "T" FITTING
001		533087300	HEXAGONAL BICONE 1G
001		544173400	RIGHT SIDE PANEL S.70
001		536005200	INOX LEG 2" 120-180 M10
002		533010800	TUBE NUT D.10 M16*1,5
002		533155600	PERNO PER SENSORE ACQUA
002		536039100	GUIDA PER SENSORE ACQUA
002		536039000	GUARNIZ.O-RING 12,42X1,78 SILIC.
002		536039200	DISTANZIALE PER SENSORE ACQUA
002		533039300	BICONE §10
002		533159400	RACC.UN.2 U.ELETTROV.ACQUA CP
002		533144500	FITTING FOR WATER INPUT 3/4G
002		531037500	RACCORD CA.H2O 1/2G CAN.D10
002		533144900	MALE FITTING WATER INLET M16X1,5
002		533048700	NUT 1/2G ZN
002		533048800	GASKET §30*§21*2 FIBRE
002		533147000	BICONE FITTING 3/4G ZN
002		533009500	NIPPLE FOR BICONE 10S
002		533024400	HEXAGONAL NUT 1/2G TUBE D.10
002		537062900	ELETTROV.A.3/4GM-2Ø10JG 230V RPV
002		537063800	COIL ELECTROV.G.1/2GF 230V
002		533065700	FITTING FOR WATER INPUT 1/2G
002		533148100	RACC.A GOM.90° 1/2G F.M16X1,5M. (S
002		537063000	ELETTROV.G.1/2GF-1/2GF 230V
002		539010900	ADHESIVE LABEL FOR DRAIN COCK
002		533136001	SCREW TAP WATER LOAD FOR CP S70/90
002		539012000	ADHESIVE LABEL FOR DRAIN COCK USA
002		539018800	BLANK INDEX FOR KNOB
002		539063600	ADHESIVE DISK 72 FOR DRAIN COCK
002		539063700	ADHESIVE DISK 72 FOR DRAIN COCK USA
002		536034700	KNOB §77 4P. §08*6,5 F§30
002		539054200	STAMP Ø20,5 CR."L" LOTUS R.
002		531037601	TAP FOR WATER 90°DX CP
002		533136000	SCREW TAP WATER LOAD FOR CP S70/90
002		531037600	TAP FOR WATER LOADING 1/2"GF CP 90
003		539060600	RED STICKING DISK 72 (030,090°
003		539054200	STAMP Ø20,5 CR."L" LOTUS R.

Page	Pos	Code	Description
003		536034400	KNOB §77 4P. §06*4,6 C/M
003		537000400	COMMUTATOR 1POS.SINGLEPHASE S49 16A
003		539018900	INDEX FOR KNOB W/RED SIGN
003		537033600	FIXING BRACKET FOR THERMOSTAT/COMM.
003		537001200	FIXING BRACKET FOR THERMOSTAT/COMM.
003		537001500	THERMOSTAT 30-90°C SINGLEPHASE
003		537012200	THERMOSTAT 30/110°C SINGLEPHASE
003		537014200	GREEN WARNING LIGHT 250V
003		537014100	WHITE WARNING LIGHT 250V