

# DISHWASHER

ELECTROMECHANICAL SWITCHES  
LOWER WASHING  
LOWER AND UPPER WASHING

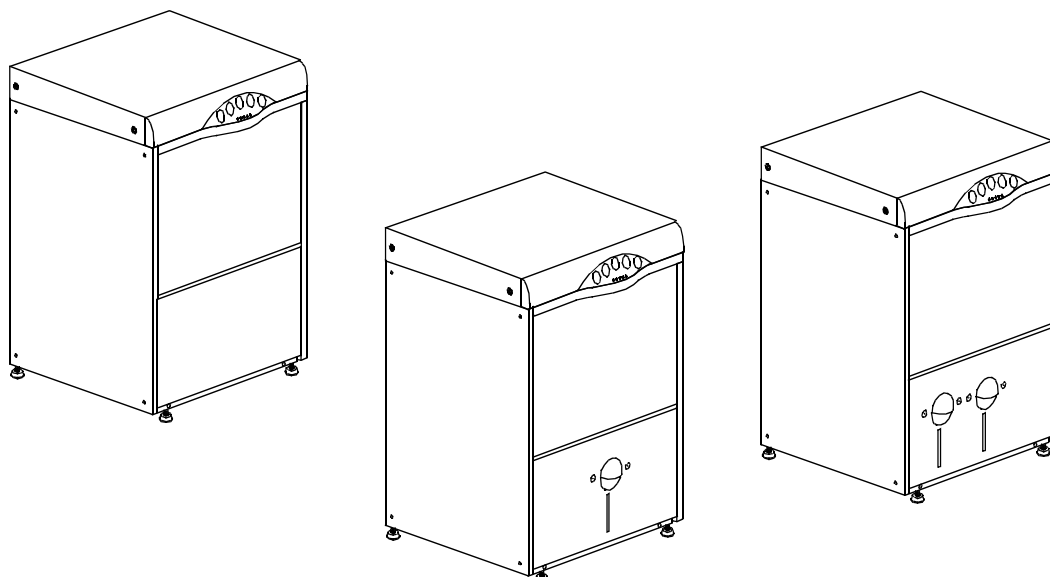
TYPE: 32P

Accessories  
BREAK TANK  
BOOSTER PUMP  
DVGW  
COLD RINSE  
WATER SOFTNER  
DETERGENT DISPENSER  
DRAIN PUMP

---

## Spare parts manual

---





## 1. Spare parts

General body parts.....	7
Lockup system .....	9
Lockup system .....	11
Lockup system .....	13
Control panel .....	15
Control electric components.....	17
Solenoid valve group .....	19
Solenoid valve group .....	21
Solenoid valve group .....	23
Break Tank .....	25
Booster pump.....	27
DVGW .....	29
Water softner group.....	31
Shining product dosing device group .	33
Shining product dosing device group .	35
Boiler group .....	37

---

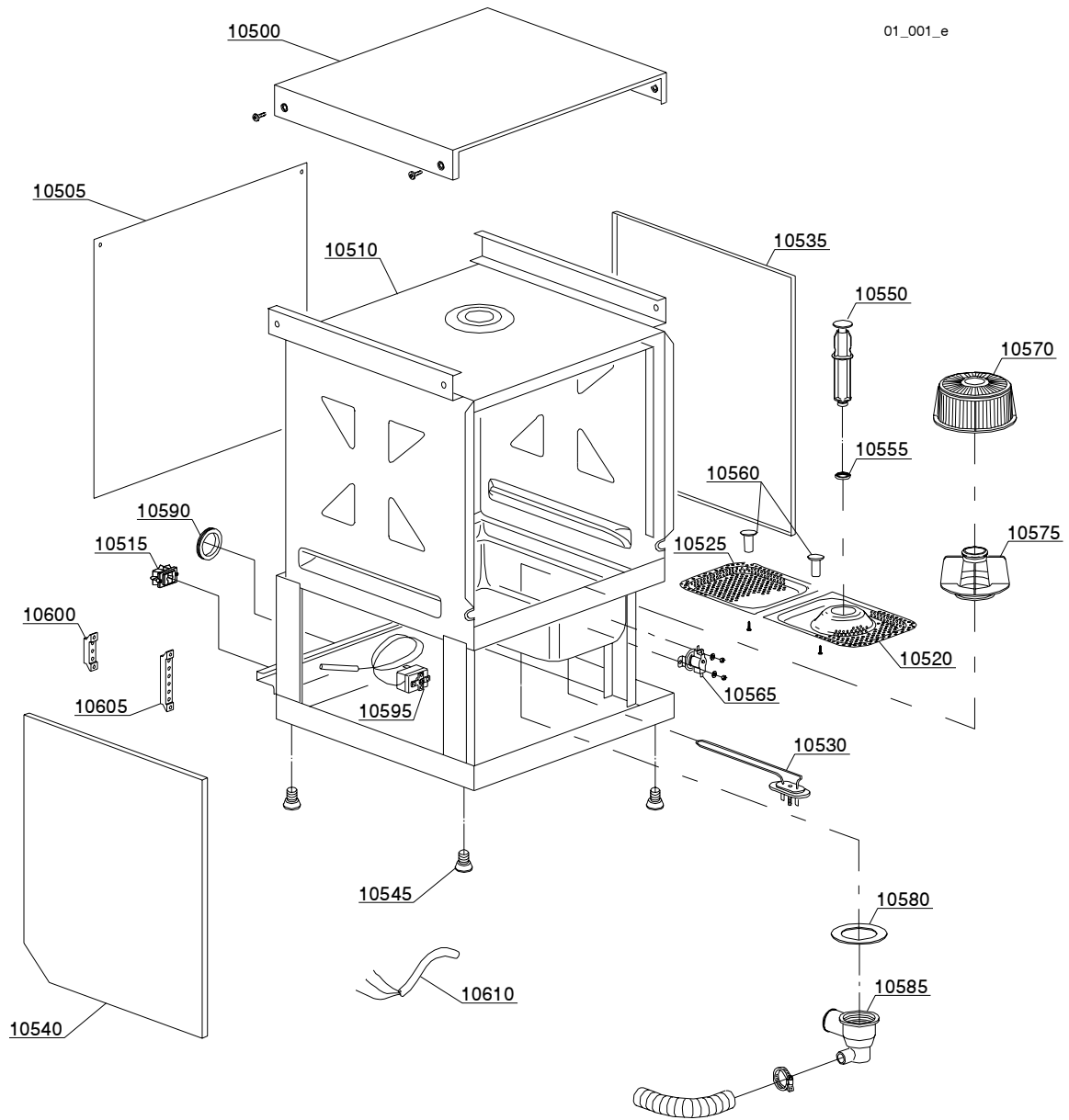
<b>3 ways derivation .....</b>	<b>39</b>
<b>4 ways derivation .....</b>	<b>41</b>
<b>Wash pump .....</b>	<b>43</b>
<b>Wash pump .....</b>	<b>45</b>
<b>Dosing device group .....</b>	<b>47</b>
<b>Dosing device group .....</b>	<b>49</b>
<b>Drain pump group.....</b>	<b>51</b>
<b>Pressure switch group with air trap ...</b>	<b>53</b>
<b>Turret group with rotating arms .....</b>	<b>55</b>
<b>Turret group with rotating arms .....</b>	<b>57</b>

## 1.1 Voltage codes

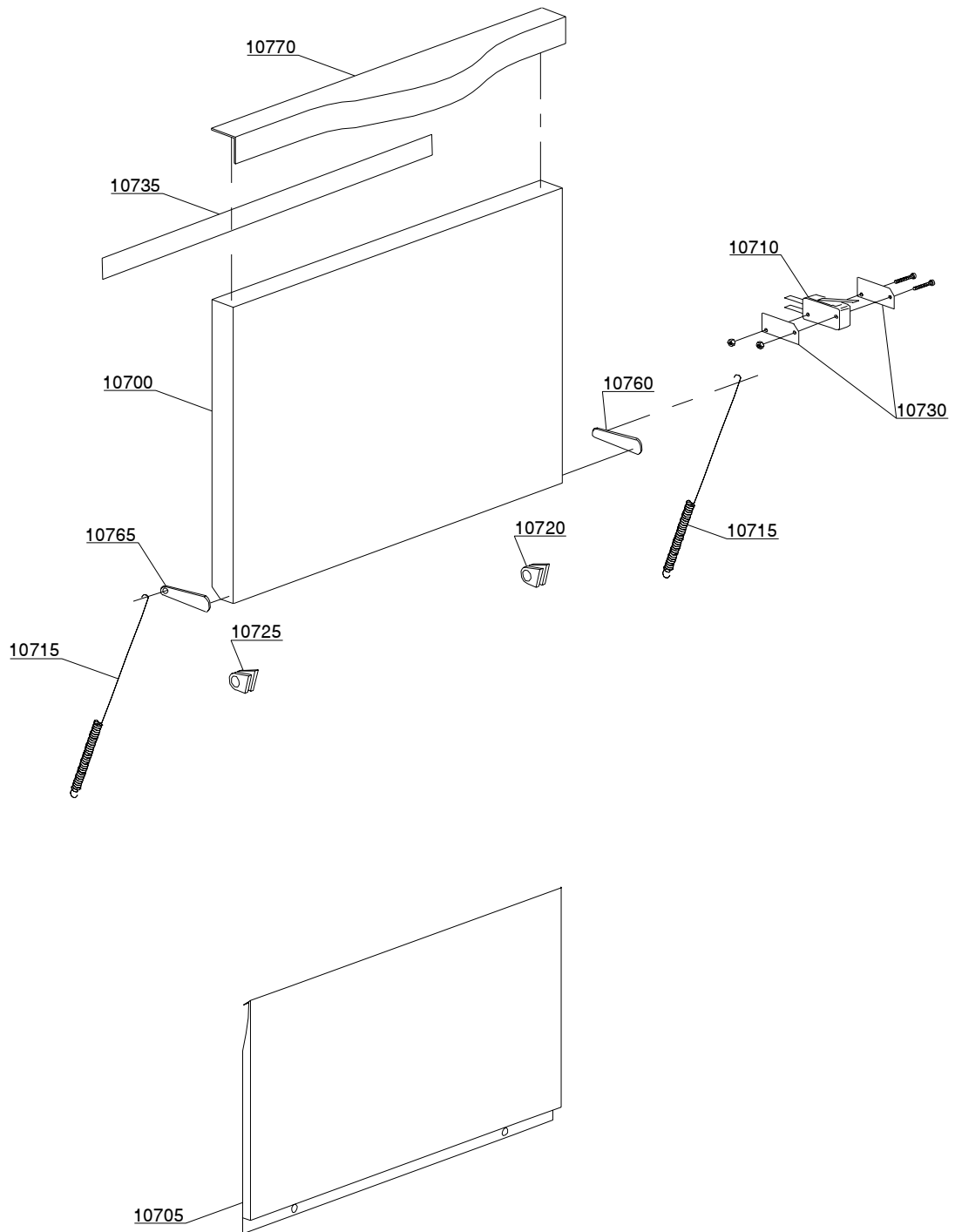
Voltage code	Voltage
A	3/N/PE~400/230V 50Hz
B	~250V 16A 50Hz
C	3/N/PE~380/220V 50Hz
D	3/PE~200V 50-60Hz
F	2/PE 220-240V 50Hz
G	3/N/PE~415/240V 50Hz
H	3/PE~230V 50Hz
I	3/PE~220V 60Hz
J	3/PE~380 50Hz
K	3/PE~400V 50Hz
L	3/PE~415V 50Hz
M	3/PE~440V 60Hz
N	3/PE~460V 60Hz
O	3/PE~480V 60Hz
P	1/N/PE~220-240V 50Hz
R	2/PE~220-230V 60Hz
S	3/N/PE~400/230V 50Hz
T	3/PE~230V 60Hz

## 1.2 Product codes

Product code	Full name
Model codes	
em	ELECTROMECHANICAL SWITCHES
cf	LOWER WASHING
ls	LOWER AND UPPER WASHING
Type codes	
32P	32P
Accessory codes	
bt	BREAK TANK
pap	BOOSTER PUMP
dvgw	DVGW
fs	COLD RINSE
d	WATER SOFTNER
dde	DETERGENT DISPENSER
ps	DRAIN PUMP





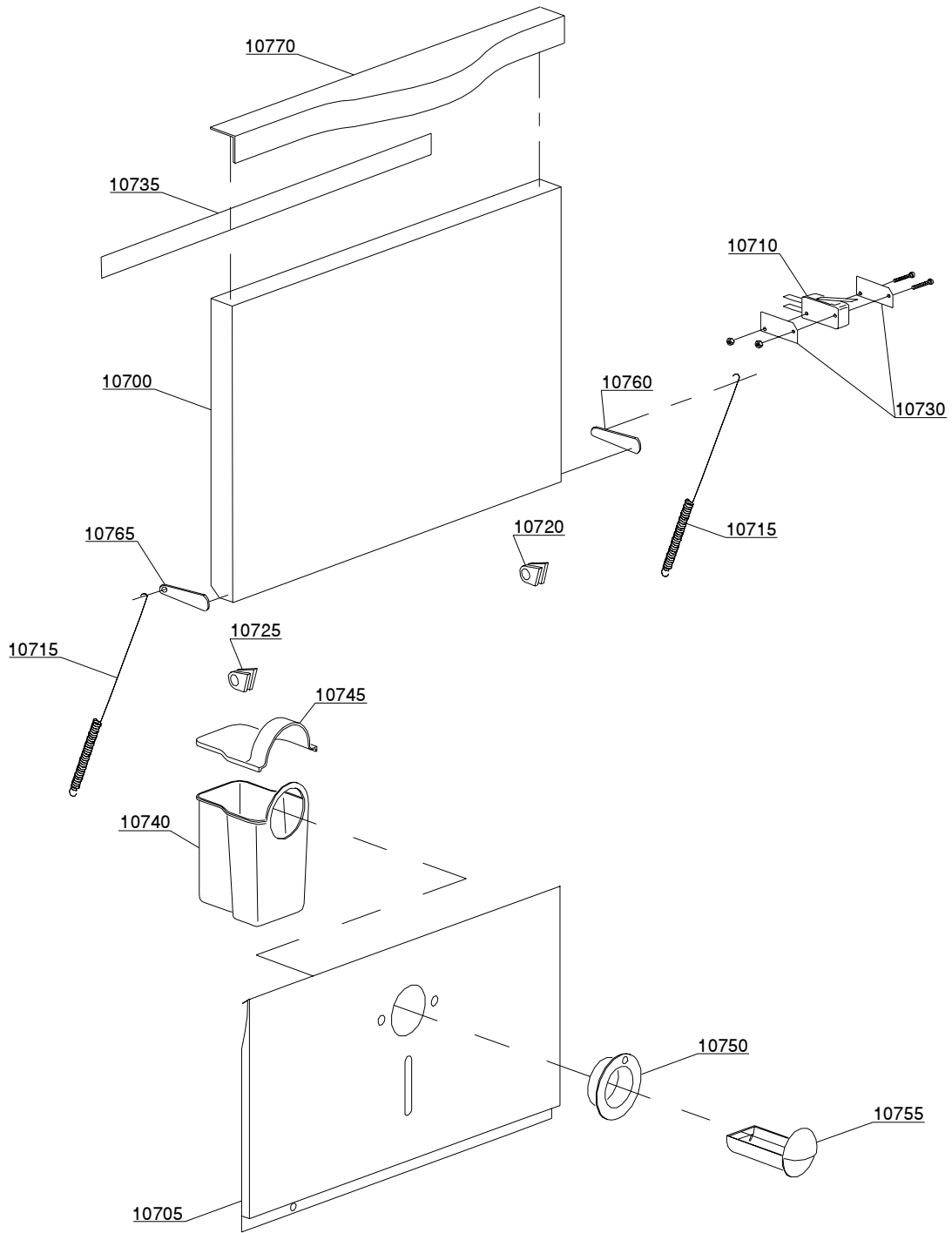


02\_006\_e



## Spare parts

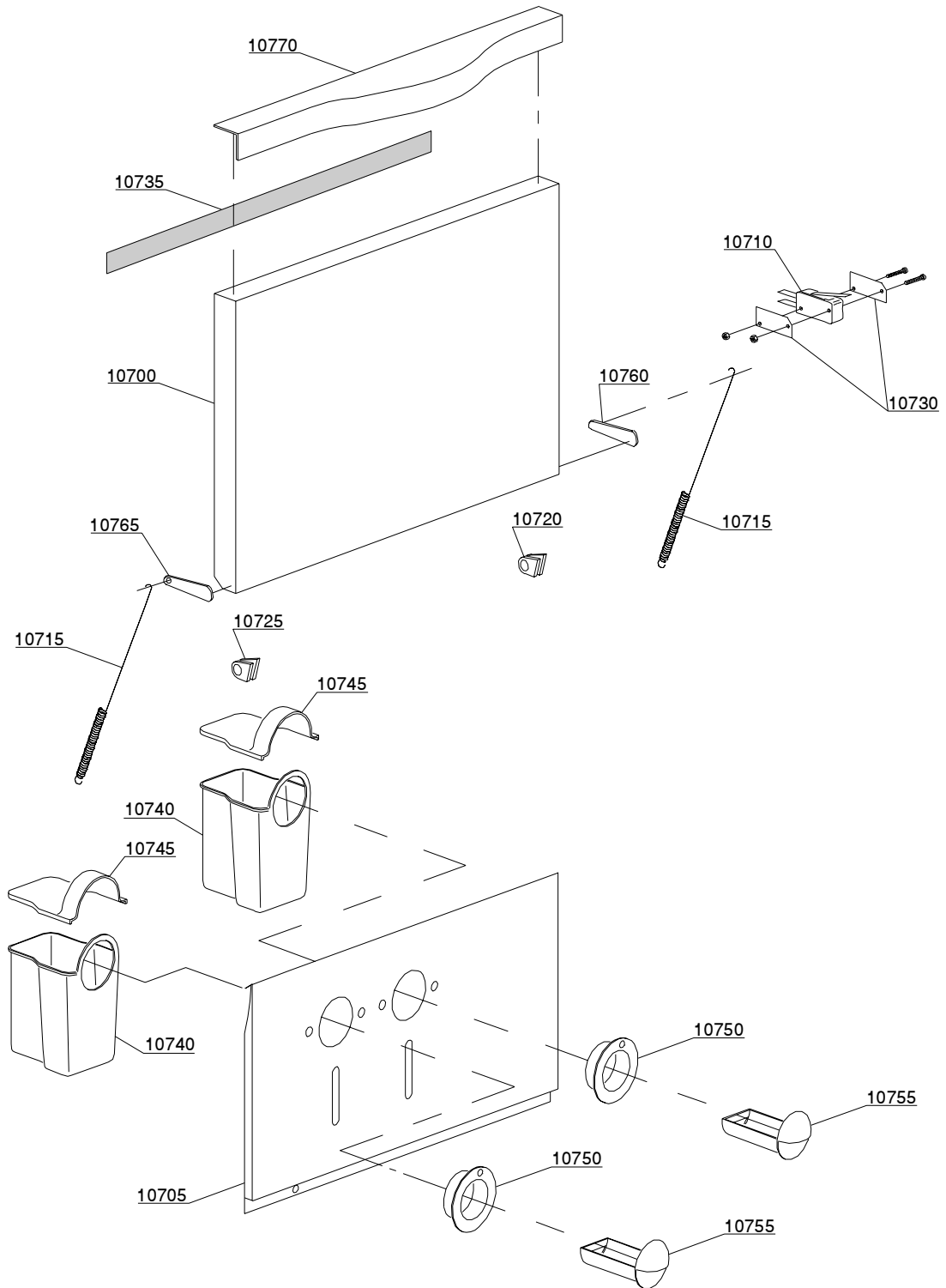
ID	P-code	Model	Type	Accessory	Voltage	Description
MODULE:Lockup system						
10700	540909		32P			Door with plastic handle
10705	540902		32P			Lower door
10710	10704		32P			Door microswitch
10715	560003		32P			Door spring
10720	540035		32P			Right axle bush for door hinge
10725	540036		32P			Left axle bush for door hinge
10730	10770		32P			Insulating for door microswitch
10735	560021		32P			Profile for door gasket
10760	540624		32P			Right arm for door
10765	540629		32P			Left arm for door
10770	540502		32P			Handle



02\_006\_e

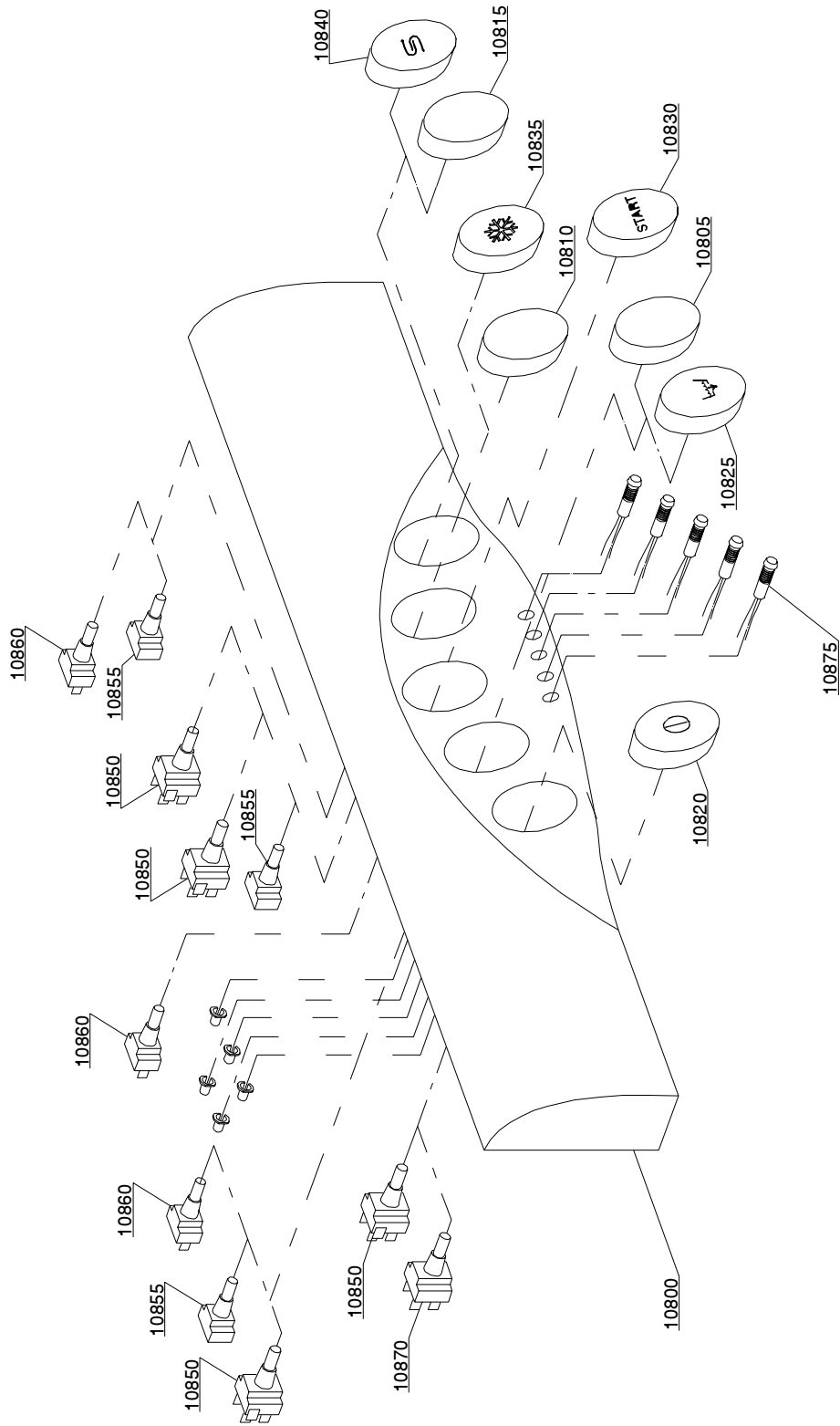
## Spare parts

ID	P-code	Model	Type	Accessory	Voltage	Description
MODULE:Lockup system						
10700	540909		32P			Door with plastic handle
10705	540916		32P			Lower door
10710	10704		32P			Door microswitch
10715	560003		32P			Door spring
10720	540035		32P			Right axle bush for door hinge
10725	540036		32P			Left axle bush for door hinge
10730	10770		32P			Insulating for door microswitch
10735	560021		32P			Profile for door gasket
10740	540019		32P			Container for shining product dosing device
10745	540020		32P			Cover for container
10750	540021		32P			Drawer-holder for container
10755	540022		32P			Drawer
10760	540624		32P			Right arm for door
10765	540629		32P			Left arm for door
10770	540502		32P			Handle



02\_006\_e

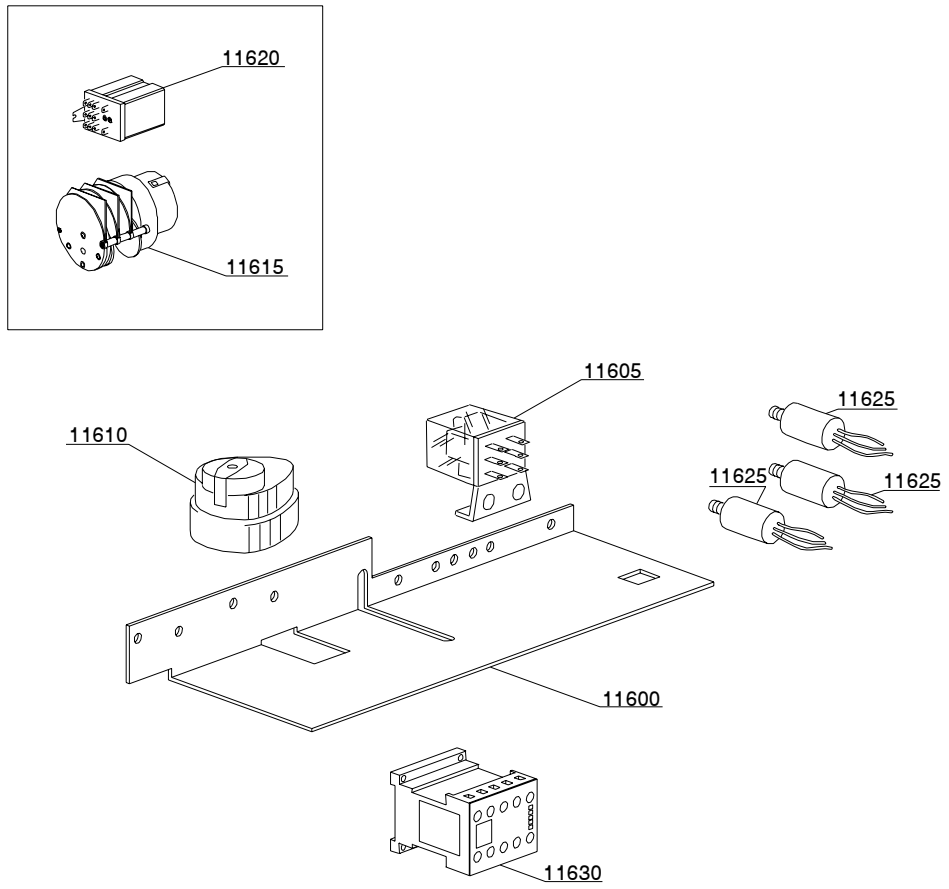
ID	P-code	Model	Type	Accessory	Voltage	Description
MODULE:Lockup system						
10700	540909		32P			Door with plastic handle
10705	540917		32P			Lower door
10710	10704		32P			Door microswitch
10715	560003		32P			Door spring
10720	540035		32P			Right axle bush for door hinge
10725	540036		32P			Left axle bush for door hinge
10730	10770		32P			Insulating for door microswitch
10735	560021		32P			Profile for door gasket
10740	540019		32P			Container for shining product dosing device
10745	540020		32P			Cover for container
10750	540021		32P			Drawer-holder for container
10755	540022		32P			Drawer
10760	540624		32P			Right arm for door
10765	540629		32P			Left arm for door
10770	540502		32P			Handle



03\_101\_e

## Spare parts

ID	P-code	Model	Type	Accessory	Voltage	Description
MODULE:Control panel						
10800	540501		32P			Control panel
10805	560523/A		32P			Key 2 with point
10810	560538		32P			Key 4 with point
10815	560526/A		32P			Key 5 with point
10820	560527/A		32P			ON-OFF key 1
10825	560528/A		32P			Drain pump key 2
10830	560529/A		32P			Start key 3
10835	560534/A		32P			Hot/cold rinse key 4
10840	560531/A		32P			Regeneration key 5
10850	15811		32P			16A bipolar switch
10850	15811/A		32P			16A bipolar switch push button
10855	15844		32P			Key support
10860	15813		32P			16A unipolar push button
10870	15800		32P			16A bipolar push button
10870	15812		32P			16A switch
10875	10711		32P			Pilot light

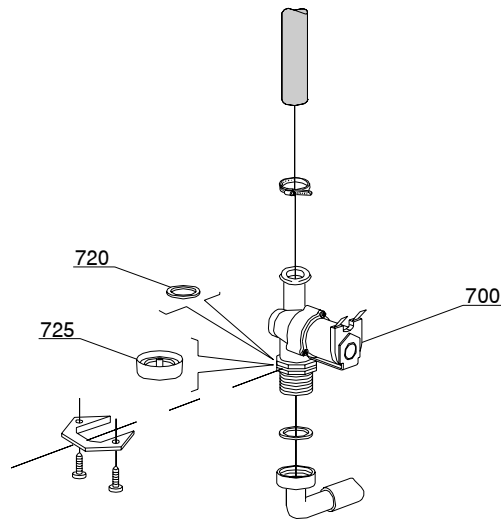


04\_001\_e



## Spare parts

ID	P-code	Model	Type	Accessory	Voltage	Description
MODULE:Control electric components						
11600	540943		32P			Electric components panel
11605	16037		32P			16A bipolar relay
11610	10708/L		32P			"120"" timer"
11615	16064/A		32P			Regeneration timer
11620	16037/D		32P			16A bipolar relay
11625	15149		32P			Low noise filter
11630	15086		32P			Remote control switch 230V 50/60Hz 4C

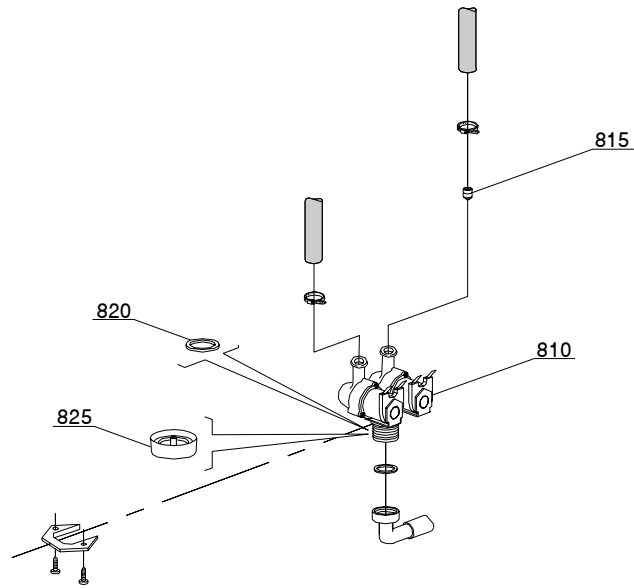


05\_002\_e

## Spare parts

---

ID	P-code	Model	Type	Accessory	Voltage	Description
MODULE:Solenoid valve group						
700	10703		32P			Single solenoid valve
720	N.C.		32P			Pression reducing valve

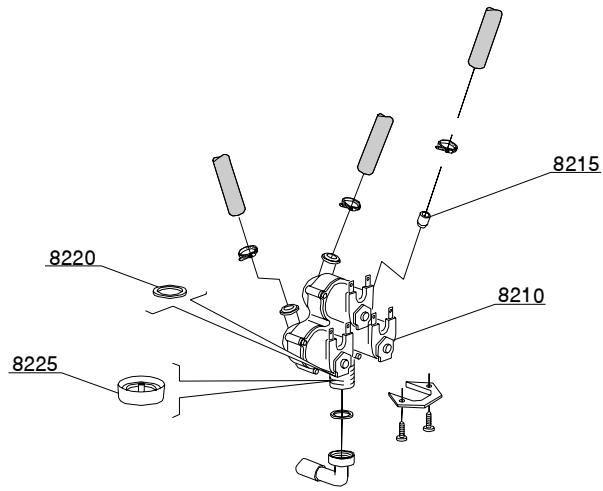


05\_003\_e

## Spare parts

---

ID	P-code	Model	Type	Accessory	Voltage	Description
MODULE:Solenoid valve group						
810	15098		32P	cr,ws		Double solenoid valve - Ø10
815	15115		32P	cr,ws		Green pression solenoid valve
820	N.C.		32P	cr,ws		Pression reducing valve



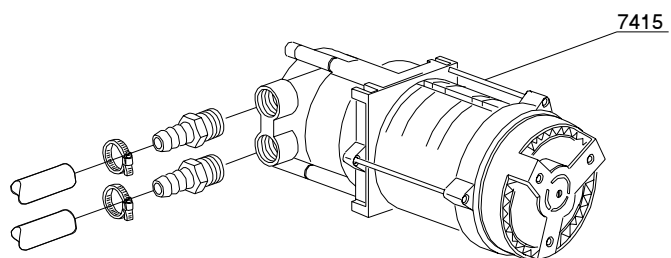
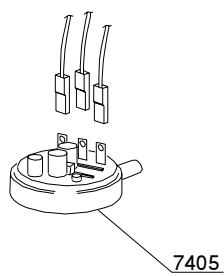
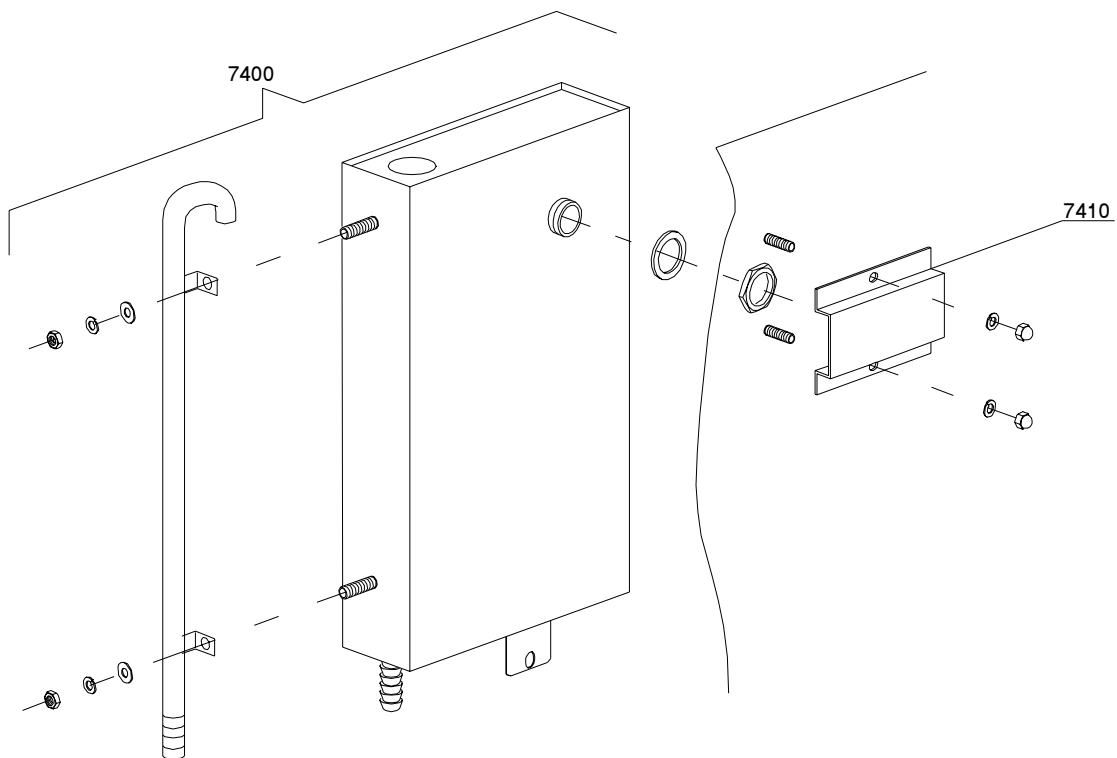
05\_004\_e

## Spare parts

---

ID	P-code	Model	Type	Accessory	Voltage	Description
MODULE:Solenoid valve group						
8210	15099		32P	cr,ws		Triple solenoid valve
8215	15115		32P	cr,ws		Green pression solenoid valve
8220	N.C.		32P	cr,ws		Pression reducing valve

06\_002\_e

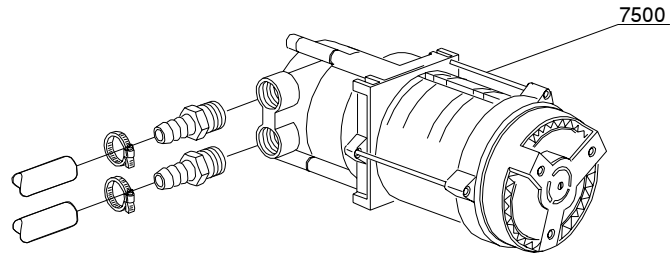




## Spare parts

---

ID	P-code	Model	Type	Accessory	Voltage	Description
MODULE:Break Tank						
7400	15735		32P	bt		Break tank assembly
7405	10706/A		32P	bt		47-27 pressure switch
7410	15738		32P	bt		Hole protection
7415	15100/D		32P	bt		Booster pump

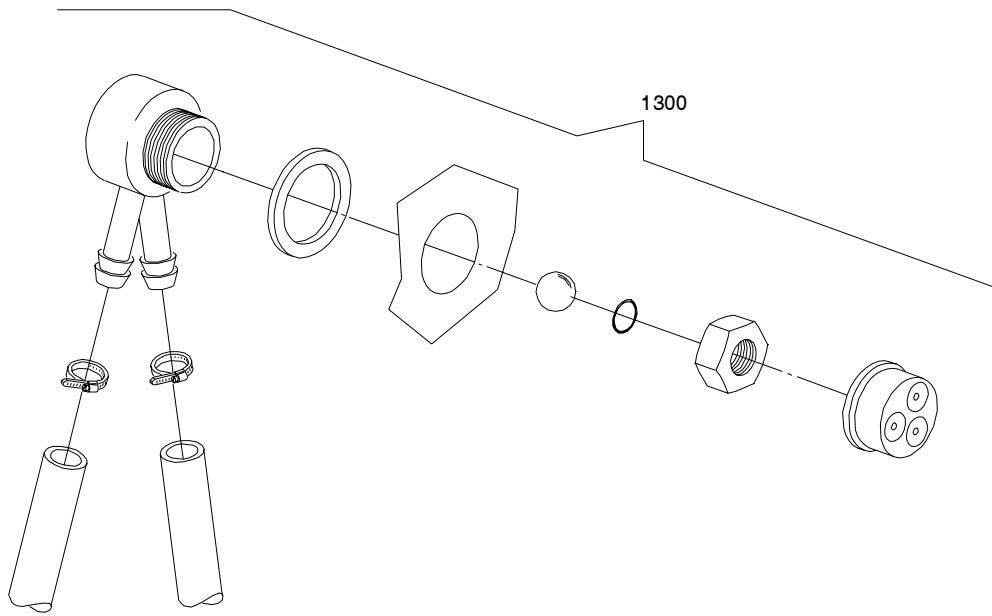


07\_003\_e

**Spare parts**

---

ID	P-code	Model	Type	Accessory	Voltage	Description
MODULE:Booster pump						
7500	15100/D		32P	bp		Booster pump



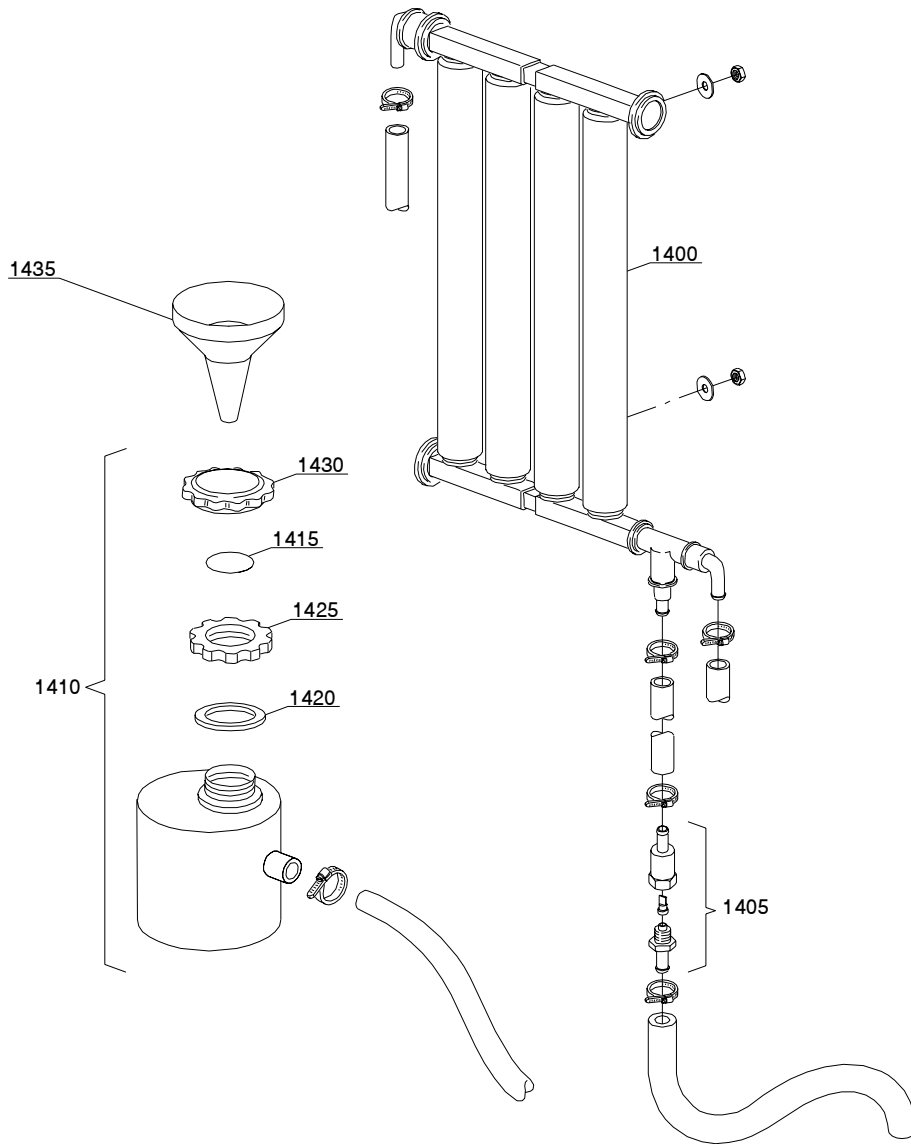
08\_005\_e

**Spare parts**

---

ID	P-code	Model	Type	Accessory	Voltage	Description
MODULE:DVGW						
1300	999900006		32P	dvgw		DVGW assembly

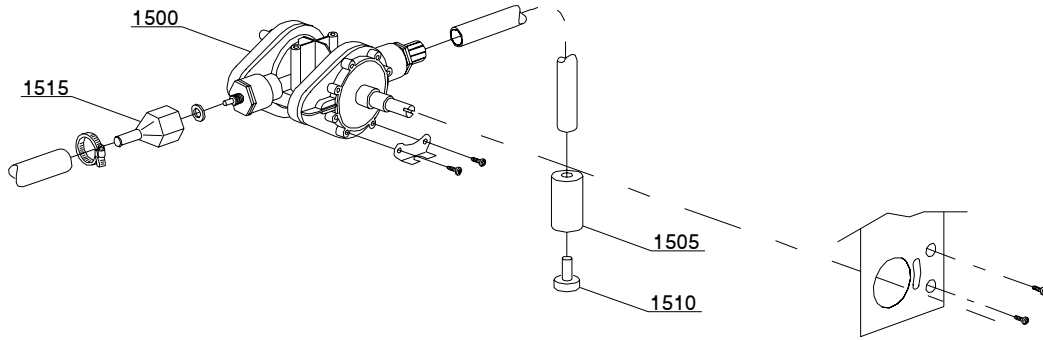
09\_001\_e



## Spare parts

ID	P-code	Model	Type	Accessory	Voltage	Description
MODULE:Water softner group						
1400	16066		32P	ws		4 elements water softner
1405	16070		32P	ws		Nonreturn valve
1410	16065		32P	ws		Salt container
1415	16067/A		32P	ws		OR gasket
1420	16067/B		32P	ws		Gasket
1425	16067/C		32P	ws		Ring nut
1430	16067/D		32P	ws		Plug
1435	16082		32P	ws		Funnel

10\_002\_e

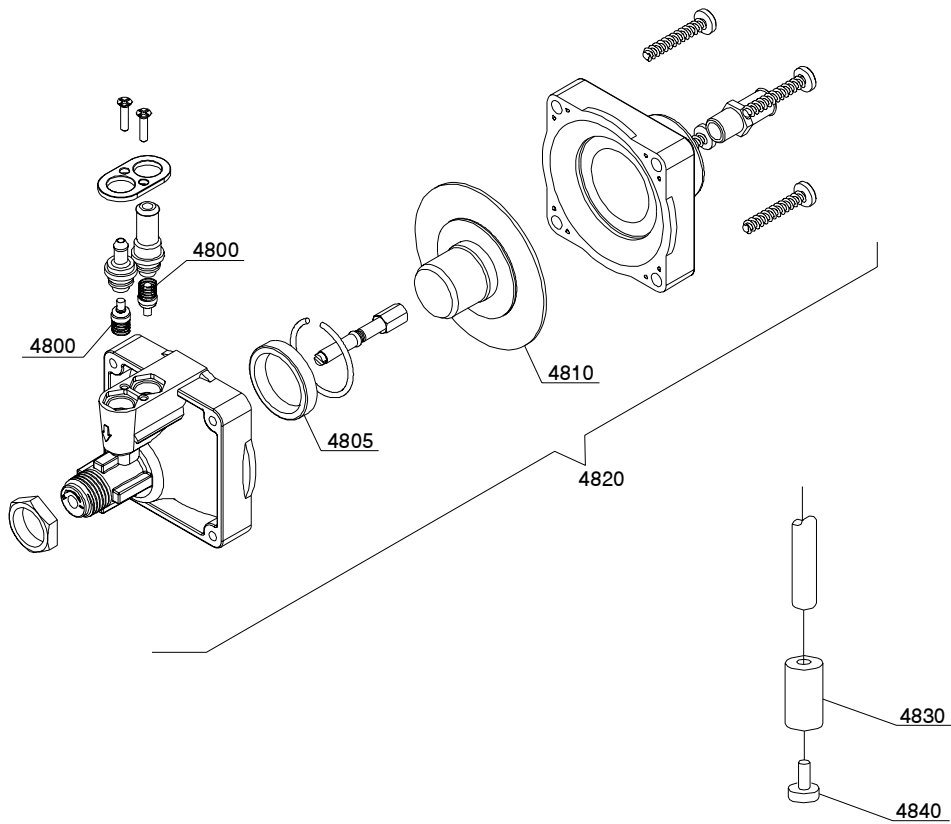




## Spare parts

---

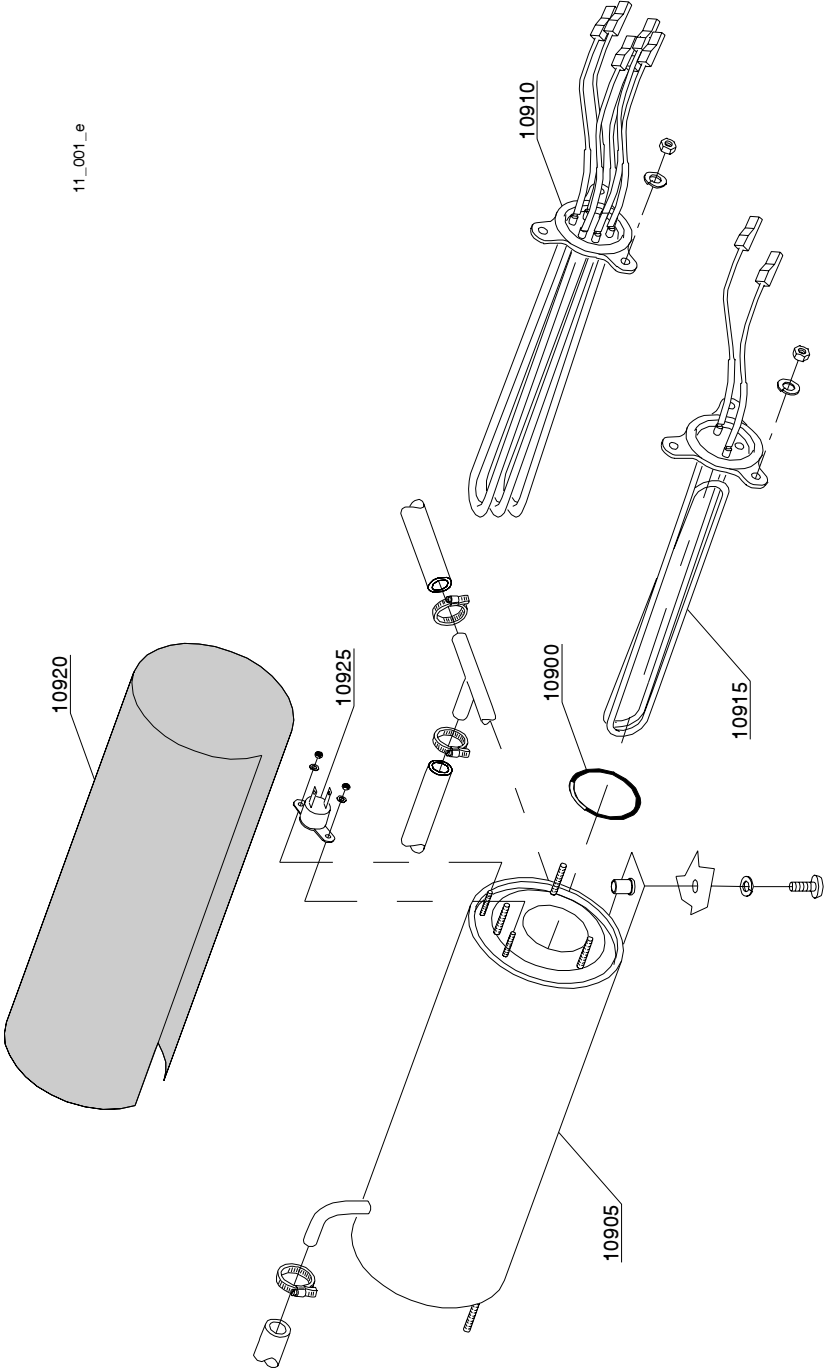
ID	P-code	Model	Type	Accessory	Voltage	Description
MODULE:Shining product dosing device group						
1500	10798		32P			Shining product dosing device
1505	12525		32P			Counter-weight
1510	15058		32P			Small filter
1515	10798/B		32P			Brass pipe fitting



10\_004\_e

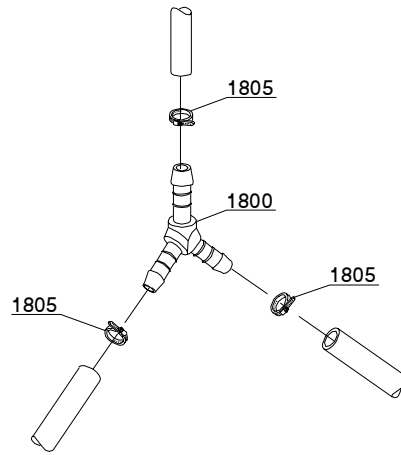
## Spare parts

ID	P-code	Model	Type	Accessory	Voltage	Description
MODULE:Shining product dosing device group						
4800	10805		32P			Tecnopro dosing valve
4805	10806		32P			Ø22 gasket
4810	10807		32P			Membrane
4820	10799		32P			Shining product dosing device
4830	12525		32P			Counter-weight
4840	15058		32P			Small filter



## Spare parts

ID	P-code	Model	Type	Accessory	Voltage	Description
MODULE:Boiler group						
10900	13010		32P			OR gasket
10905	540006		32P			Boiler
10910	18215		32P			4KW heating element
10915	18206/D		32P			2,8KW heating element
10920	540040		32P			Insulating boiler
10925	15550		32P			Safety thermostat

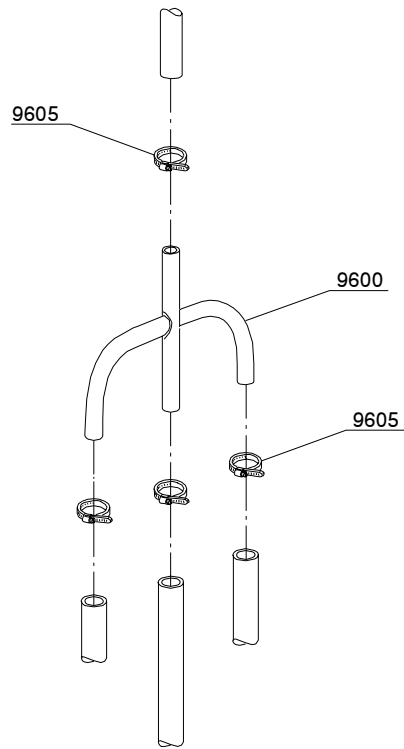


12\_003\_e

## Spare parts

---

ID	P-code	Model	Type	Accessory	Voltage	Description
MODULE:3 ways derivation						
1800	540090		32P	bt		Ø10 mm plastic 3 ways derivation
1805	11807		32P			12/22 clamp



12\_004\_e

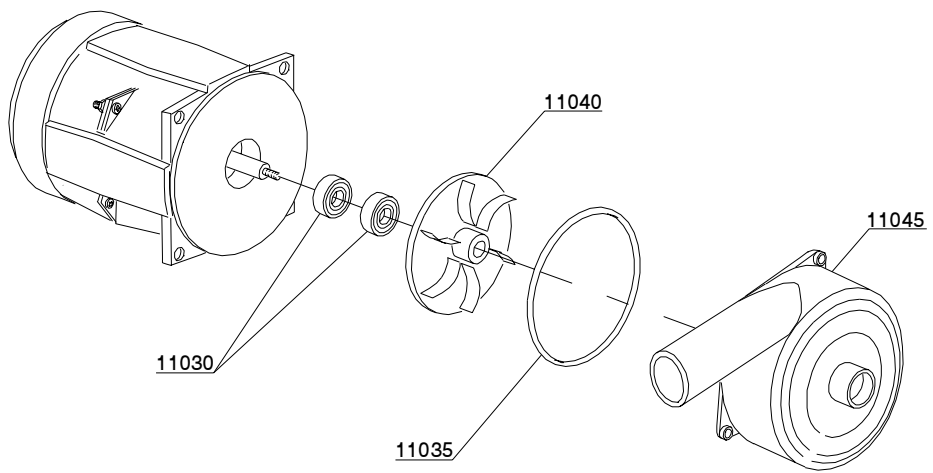
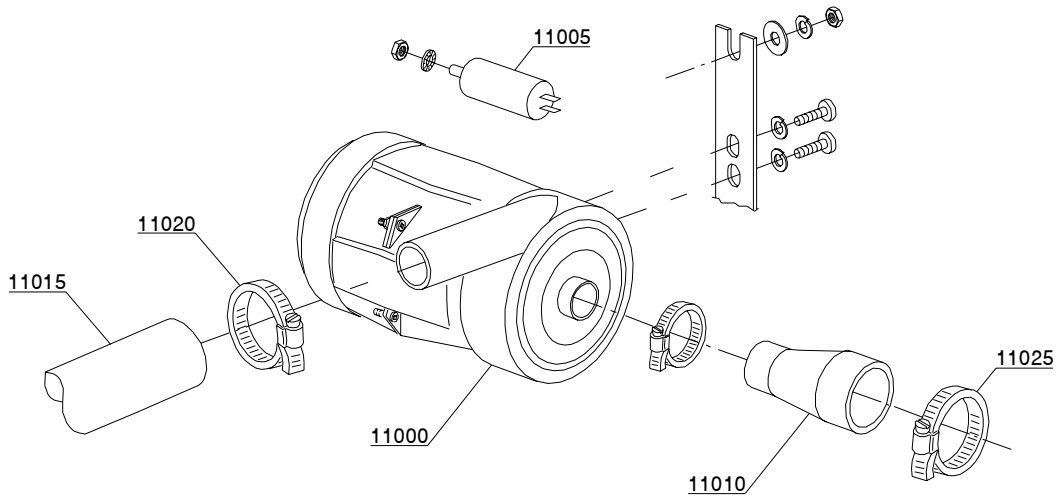


**Spare parts**

---

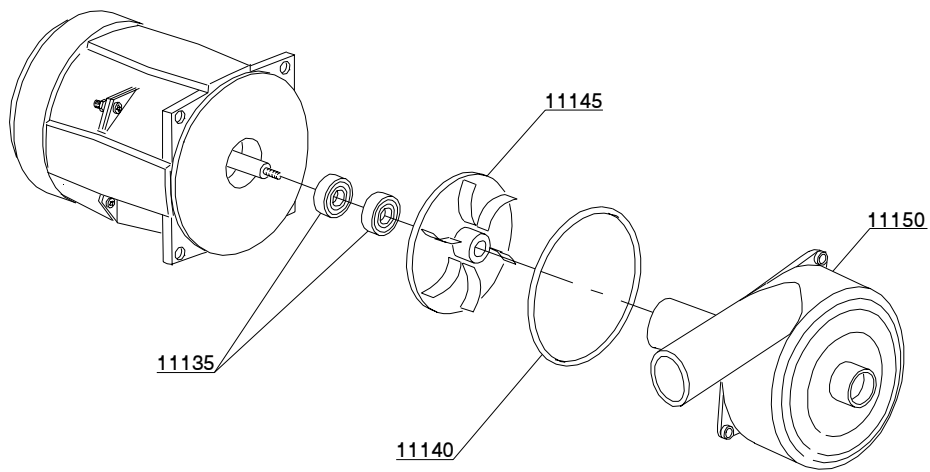
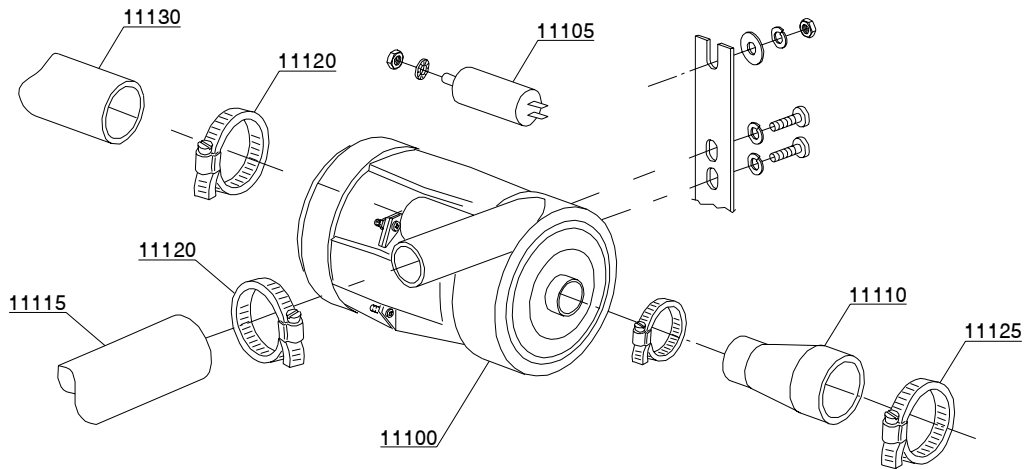
ID	P-code	Model	Type	Accessory	Voltage	Description
MODULE:4 ways derivation						
9600	15151		32P			Ø10 mm 4 ways derivation
9605	11807		32P			12/22 clamp

13\_001\_e



## Spare parts

ID	P-code	Model	Type	Accessory	Voltage	Description
MODULE:Wash pump						
11000	18243		32P		A	0,33Hp wash pump
11005	18043		32P			10 uF condenser
11010	540005		32P			Suction pipe coupling
11015	16168		32P			Lower wash delivery pipe
11020	11806		32P			25/40 clamp
11025	11824		32P			50/70 clamp
11030	15080		32P			Rotating seals
11035	18245		32P			OR gasket
11040	18246		32P			Pump rotor
11045	18248		32P			Scroll

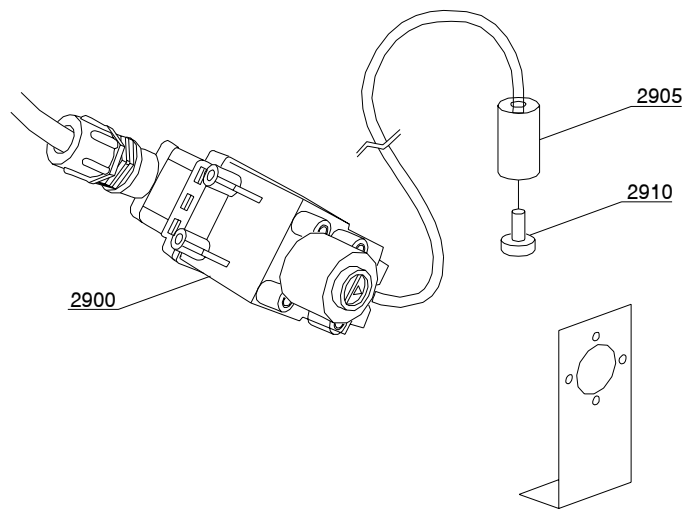
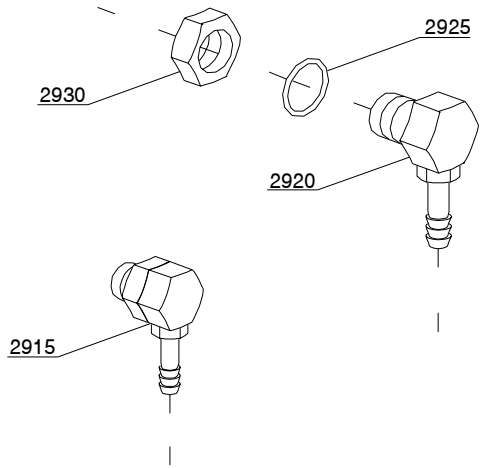


13\_101\_e

## Spare parts

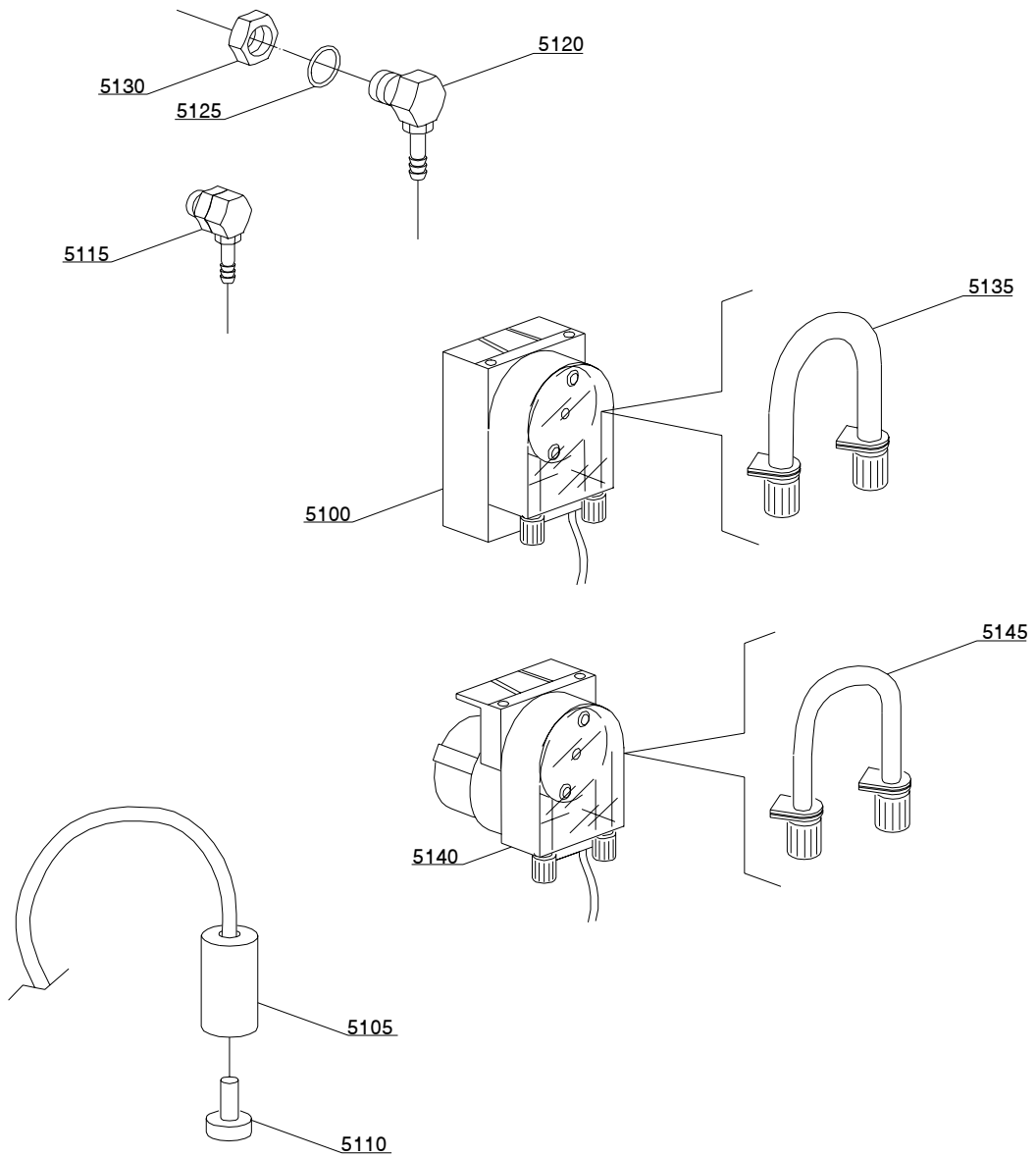
ID	P-code	Model	Type	Accessory	Voltage	Description
MODULE:Wash pump						
11100	18242		32P		A	0,30Hp wash pump
11100	18242/D		32P		A	0,30Hp 60Hz wash pump
11105	18043		32P			10 uF condenser
11110	540005		32P			Suction pipe coupling
11115	16168		32P			Lower wash delivery pipe
11120	11806		32P			25/40 clamp
11125	11824		32P			50/70 clamp
11130	540004		32P			Top delivery pipe
11135	15080		32P			Rotating seals
11140	18245		32P			OR gasket
11145	18246		32P			Pump rotor
11150	18247		32P			Scroll

14\_002\_e



## Spare parts

ID	P-code	Model	Type	Accessory	Voltage	Description
MODULE:Dosing device group						
2900	15108/L		32P	dd		Lang dosing device
2905	12525		32P	dd		Counter-weight
2910	15058		32P	dd		Small filter
2915	15123		32P	dd		Compleat plastic injector
2920	15148		32P	dd		Steel injector
2925	15159		32P	dd		OR gasket
2930	10200205		32P	dd		M12x1 stainless steel nut



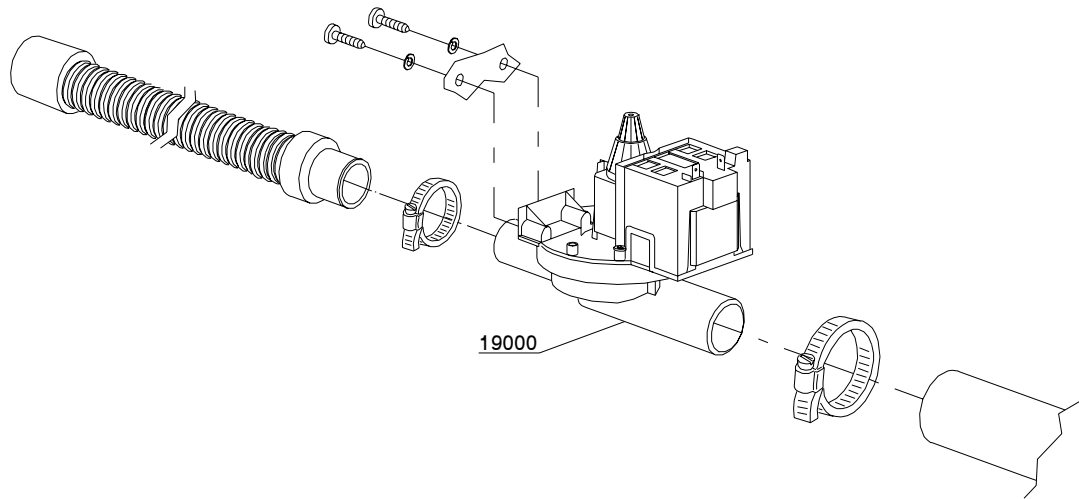
14\_004\_e



## Spare parts

ID	P-code	Model	Type	Accessory	Voltage	Description
MODULE:Dosing device group						
5100	15985		32P	dd		Seko dosing device
5105	12525		32P	dd		Counter-weight
5110	15058		32P	dd		Small filter
5115	15123		32P	dd		Complet plastic injector
5120	15148		32P	dd		Steel injector
5125	15159		32P	dd		OR gasket
5130	10200205		32P	dd		M12x1 stainless steel nut
5135	15185		32P	dd		Seko thermoplastic pipe
5140	15985		32P	dd		Germac dosing device
5145	15108/E		32P	dd		Germac thermoplastic pipe

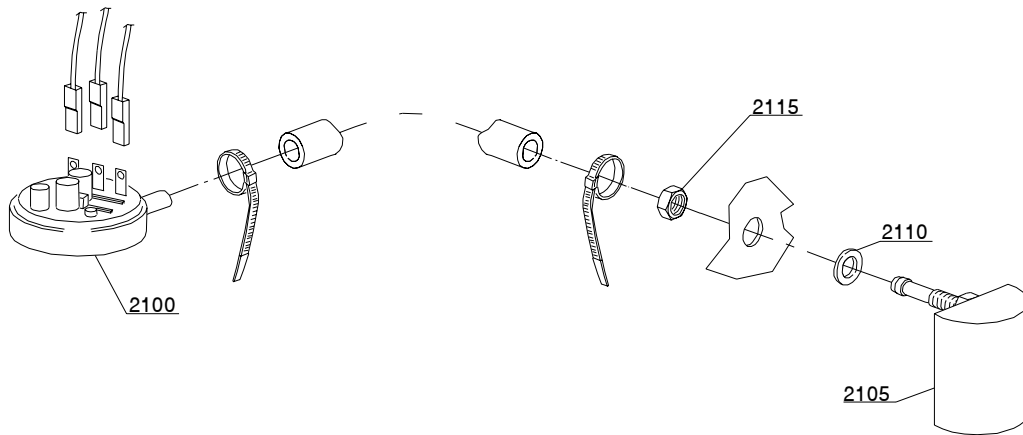
15\_002\_e



**Spare parts**

---

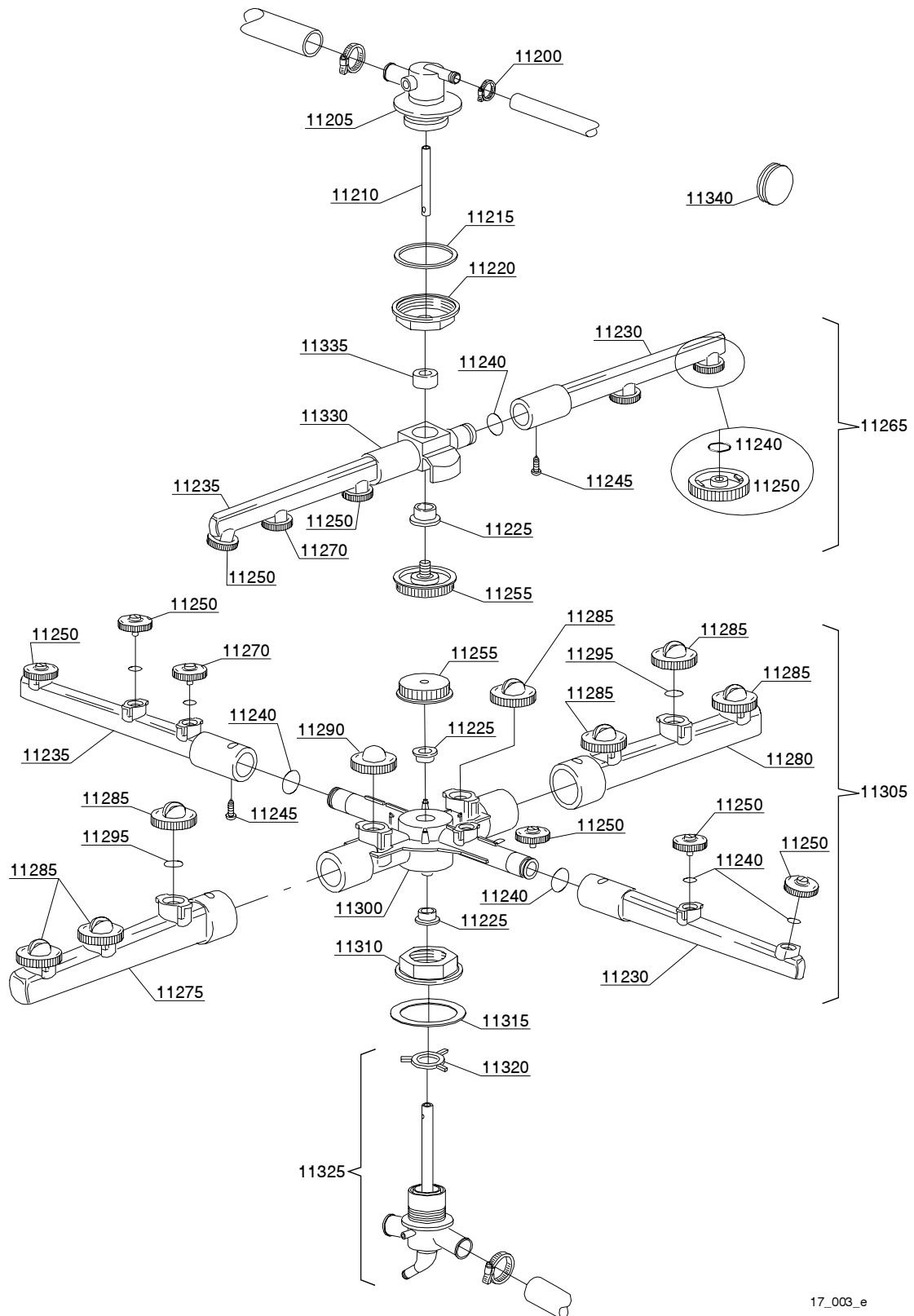
ID	P-code	Model	Type	Accessory	Voltage	Description
MODULE:Drain pump group						
19000	15101/A		32P	dp	A	Drain pump - 50Hz



16\_001\_e

## Spare parts

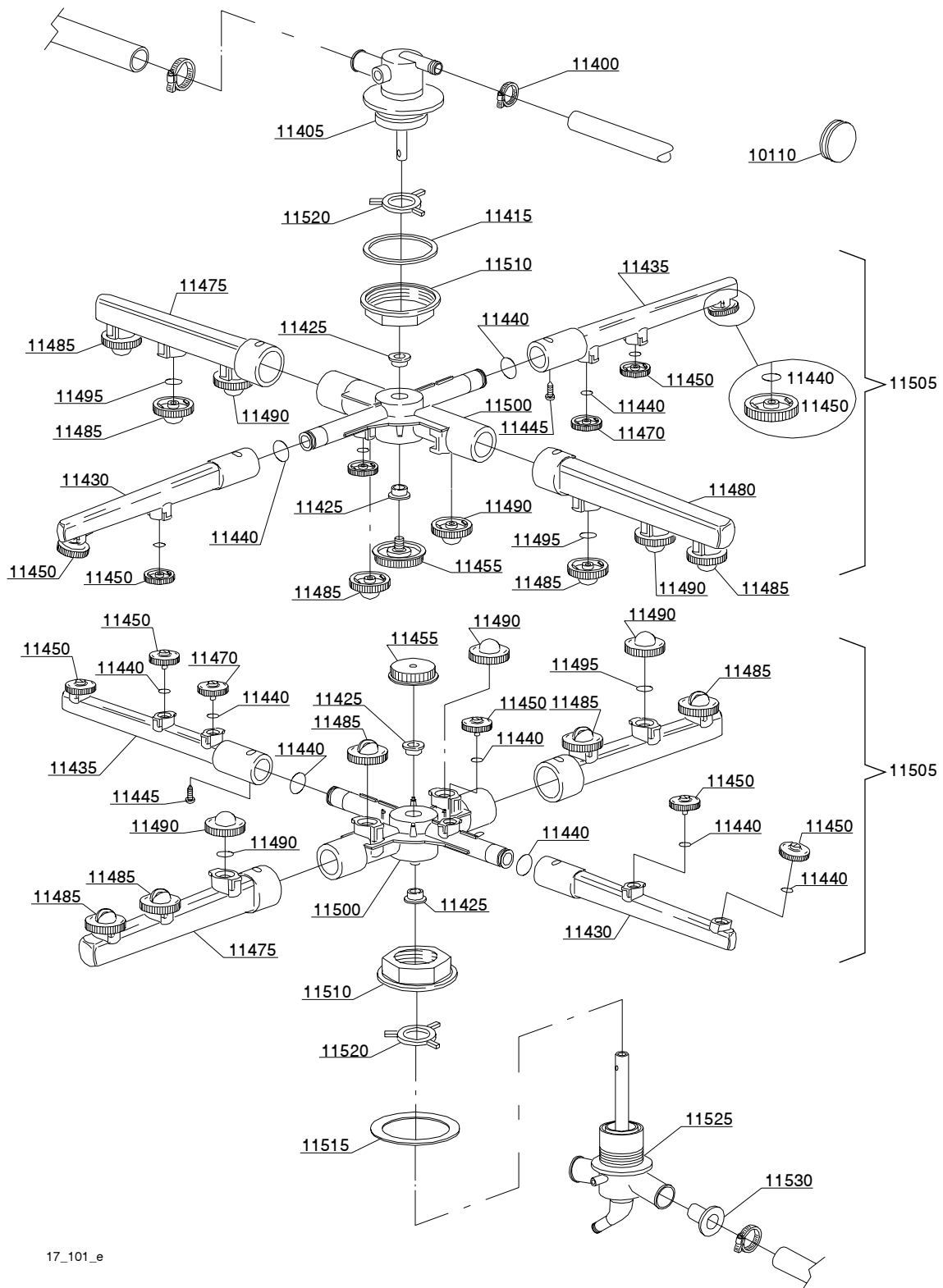
ID	P-code	Model	Type	Accessory	Voltage	Description
MODULE:Pressure switch group with air trap						
2100	10706/A		32P			47-27 pressure switch
2105	10911/B		32P			Air trap assembly
2110	13301		32P			Gasket
2115	11702		32P			M8 stainless steel nut



17\_008\_e

## Spare parts

ID	P-code	Model	Type	Accessory	Voltage	Description
MODULE:Turret group with rotating arms						
11200	11807		32P			12/22 clamp
11205	540048		32P			Top turret for rinse rotor
11210	540014		32P			Top rinse axle
11215	540032		32P			Ø57x43x1,5 plane gasket
11220	540016		32P			Ø10 hole closed nut
11225	13319		32P			Sliding washer
11230	10360		32P			Right rinse pipe
11235	10361		32P			Left rinse pipe
11240	13002		32P			OR R6 NBR gasket
11245	11004		32P			4x10 TCB Ø8 spax toothed screw
11250	12537		32P			Opened head rinse nozzle
11255	10365		32P			Handle with insert
11265	10996		32P			Top rinse group
11270	12538		32P			Closed head rinse nozzle
11275	10355		32P			Right wash pipe
11280	10356		32P			Left wash pipe
11285	10357		32P			Opened head wash nozzle
11290	10358		32P			Closed head wash nozzle
11295	13009		32P			OR 2050 NBR gasket
11300	10364		32P			Wash rotor
11300	540013		32P			Wash rotor
11305	10998		32P			Lower wash/rinse group
11305	540998		32P			Lower wash/rinse group
11310	540010		32P			Turret fixing nut
11315	540034		32P			Ø57x43x4 turret plane gasket
11320	10225		32P			Guide pipe
11325	540046		32P			Lower turret for rotor
11330	10359		32P			Rinse rotor
11335	13320		32P			Sliding washer
11340	13316/A		32P			DVGW hole gasket



17\_101\_e



