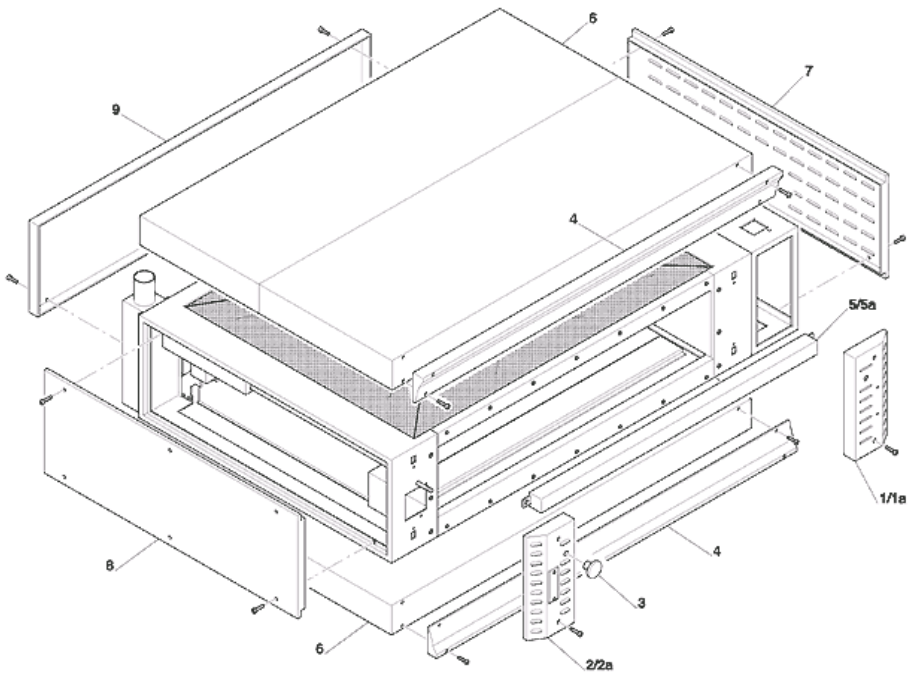




## Spare Parts Catalogue Series 2000

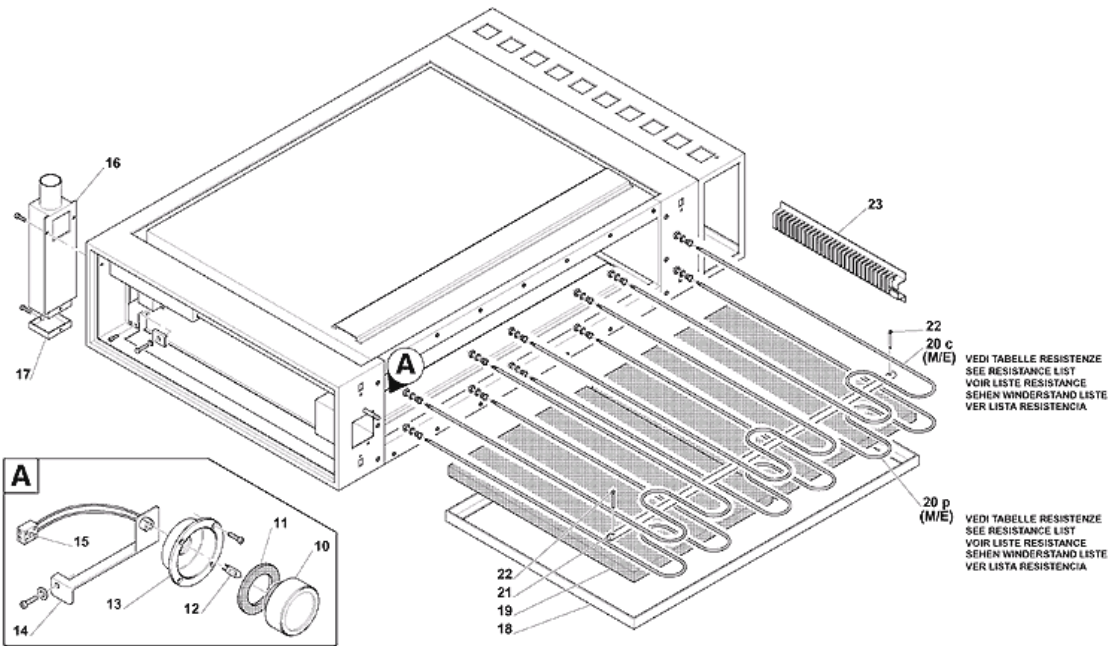
- 1 - Panels
- 2 - Oven
- 3 - Oven
- 4 - Front piece door
- 5 - Analogue panel
- 6 - Digital panel
- 7 - Heater list





## 1 - Panels

POSITION	CODE	DESCRIPTION
0001A	WPVT020	C.P.FRONT.DX F.S.2000R (WPRT0
0002	WPST310	PANNELLO FRONTALE SX ST
0002A	WPVT120	C.P.FRONT.SX F.S.2000R S(WPRT1
0003	AC06500	POMELLO CAMINO FORNO PL/50 M10
0004	WSL2020	COMP.TRAV SUP/INF 69-66 V.N.
0004	WSL25	FLASK
0004	WSL30	UPPER/LOWER BAR UNIT 96/99/109
0004	WSL35	FLASK
0005	WPSC010	C.CAPPA F.96/99/109 STANDARD
0005	WSL06	HOOD
0005	WSS0410	COMP.CAPPA ST FORNO 77/1-2-3
0005	WSS06	CHIMNEY UNIT 66/69 STANDARD
0005A	WPVC0	HOOD
0005A	WRL06	HOOD
0005A	WRS0420	COMPL.CAPPA F.77 R SM.M
0005A	WRS0620	C.CAPPA RU 66-69/1-2-3 SM.M.
0006	WPC38	COVER
0006	WPC48	COVER
0006	WPC57	COVER
0006	WPC68	COVER
0006	WPC7020	C.COP.SUP.INF F.69 V.N T.N.
0006	WPC72	COVER
0006	WPC74	COVER
0007	WP22111	FIANCO DX F.77/96/66 (NERO)
0007	WP33111	FIANCO DX+SX F.69/99TV + GAS
0007	WP44100	FIANCO DX+SX 111+109 (NERO)TV
0008	WP140	COVER
0008	WP22200	FIANCO SX F.96/66 (NERO)
0008	WP33200	FIANCO SX F.69/99 (NERO)
0008	WP44200	FIANCO SX 111+109 (NERO)
0009	WP033	REAR PANNEL
0009	WP133	REAR PANNEL
0009	WP333	REAR PANNEL
0009	WP344	REAR PANNEL





## 2 - Oven

POSITION	CODE	DESCRIPTION
0010	AL20100	GLASS
0011	AL26600	GASKET
0012	EL06200	MICROLAMP.AL0G.GY6.35 12V 35 W
0013	QAT2200	LIGHT REFLECTOR
0014	HAT6410	FISSAGGIO LAMPADA F.S.2000
0015	EL05600	COMPL.PORTALAMPADA FORNI
0016	WCE4000	COMPL.CAM.ESTERNO S.2000 ACC.
0017	WCE3710	CHIMNEY COVER - OPTIONAL
0018	DSC1400	PROTEZ.P.REFRATT.4-8 DS/CL 66T
0018	HGV3120	C.TELAIO GRATA 33 GAS V(HG310)
0018	HGV4020	C.TEL.GRATA 34+109 V.A(HG410)
0018	HGV4520	C.TELAIO GRATA F.111 V.A(HG450)
0018	KG23020	C.TEL.GRATA SG23+69-96-5-10-11
0018	WGV22	FRAME
0019	AL15100	PIETRA 622X606X25 22-66-MF4/8
0019	AL17900	PIETRA REFR.913X455X19 F.99
0019	AL18000	PIETRA REFR.1213X455X19 F.109
0019	AL18100	PIETRA REF.1142X557,5X19 F111
0019	AL18200	PIETRA REFR.913X606X19 F.69-96
0019	AL20400	PIETRA REFR.697X355X19 F77/435
0020C	ZZZZ01	SEE RESISTANCE LIST
0020P	ZZZZ01	SEE RESISTANCE LIST
0021	WKLO3	ANGOLARE SOSTEGNO RESISTENZA F96(1). F99(2). F109(2)
0021	WKLO4	ANGOLARE SOSTEGNO RESISTENZA F.111
0021	WKSO4	ANGOLARE SOSTEGNO RESISTENZA F69(2)
0021	WKSO510	ASTA SOSTEGNO RESIST. 77 (1)
0022	MD03600	COTTER PIN
0023	HAT9910	PROTEZ.BULBO INT.CAM.M+H+GAS

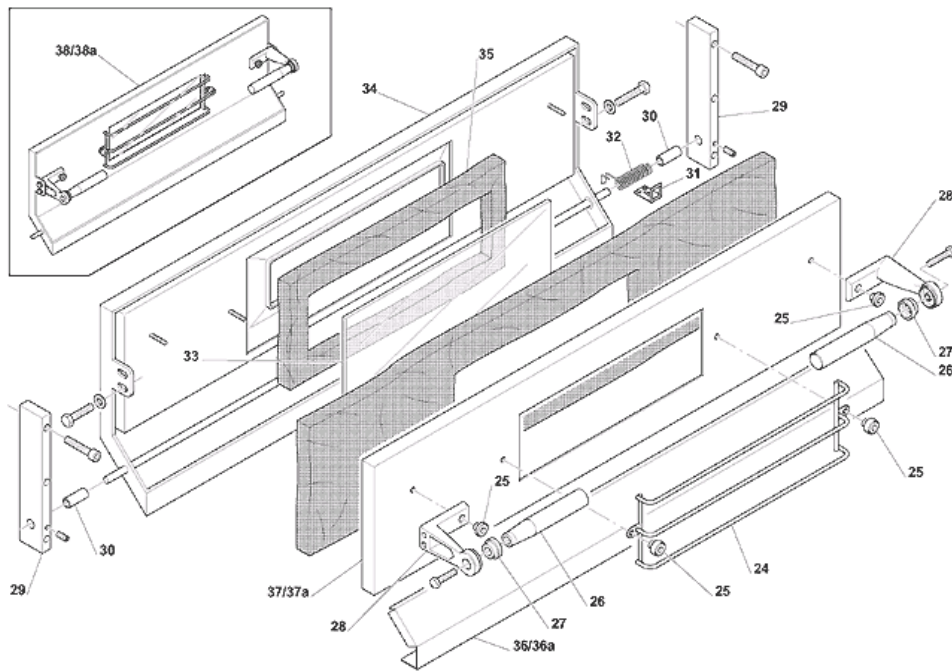




### 3 - Oven

POSITION	CODE	DESCRIPTION
0010	AL20100	GLASS
0011	AL26600	GASKET
0012	EL06200	MICROLAMP.AL0G.GY6.35 12V 35 W
0013	QAT2200	LIGHT REFLECTOR
0014	HAT6410	FISSAGGIO LAMPADA F.S.2000
0015	EL05600	COMPL.PORTALAMPADA FORNI
0016	WCE4000	COMPL.CAM.ESTERNO S.2000 ACC.
0017	WCE3710	CHIMNEY COVER - OPTIONAL
0018	HGV3120	C.TELAIO GRATA 33 GAS V(HG310)
0018	HGV4020	C.TEL.GRATA 34+109 V.A(HG410)
0018	HGV4520	C.TELAIO GRATA F.111 V.A(HG450)
0018	KG23020	C.TEL.GRATA SG23+69-96-5-10-11
0018	WGV22	FRAME
0019	AL15100	PIETRA 622X606X25 22-66-MF4/8
0019	AL17900	PIETRA REFR.913X455X19 F.99
0019	AL18000	PIETRA REFR.1213X455X19 F.109
0019	AL18100	PIETRA REF.1142X557,5X19 F111
0019	AL18200	PIETRA REFR.913X606X19 F.69-96
0019	AL20400	PIETRA REFR.697X355X19 F77/435
0020c	ZZZZ01	SEE RESISTANCE LIST
0020p	ZZZZ01	SEE RESISTANCE LIST
0021	HKSV3	SUPPORT
0021	WKLO3	ANGOLARE SOSTEGNO RESISTENZA F96(1). F99(2). F109(2)
0021	WKLO4	ANGOLARE SOSTEGNO RESISTENZA F.111
0021	WKSO4	ANGOLARE SOSTEGNO RESISTENZA F69(2)
0021	WKSV3	SUPPORT
0022	MD03600	COTTER PIN
0023	HAT9910	PROTEZ.BULBO INT.CAM.M+H+GAS

4 - Front piece door

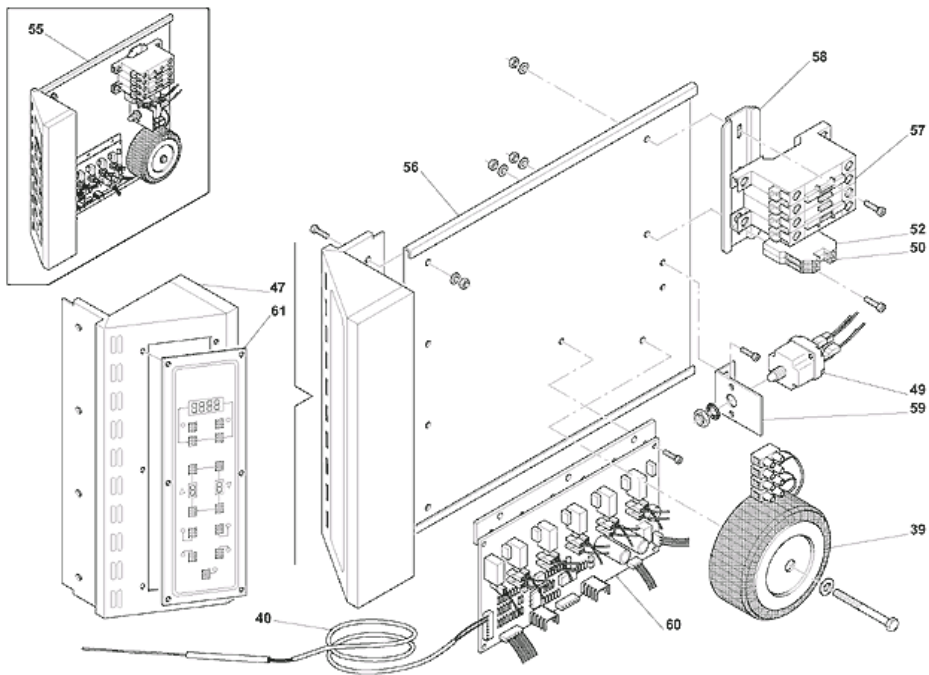






#### 4 - Front piece door

POSITION	CODE	DESCRIPTION
0024	AH068	DOOR GLASS PROTECTIVE CHR. GRID
0025	QST0320	VOLANT.PORTA FS.2000 CR.(QAT43
0026	AC06600	MANOP.P.FORNO TP.N.MC/29X115
0027	AC07100	RONDELLA D.36 H.12 FORO 8,5
0028	HDTV300	PIATTO P/MANIGLIA IN ALLUMINIO
0029	WKTB3	DOOR SUPPORT 40X15L = 278
0030	HKT0100	BOCCOLA PERNO PORTA D.14X10X22
0031	HAT0410	ANGOLARE REG.MOLLA 4/8/5/10 TR
0032	MD04900	SPRING
0033	AL27600	GLASS
0034	HDLA000	C.TEL.PORTA F.96-99-109/11-15
0034	HDSA000	C.TEL.PORTA F.66-69/MF4-8-5-10
0034	WDL0020	C.TEL.PORTA F.111 IN ACCIAIO
0034	WDS0020	DOOR FRAME
0035	AL27810	GUARNIZIONE VETRO 430X155 MM
0036	HSL0100	COPRIPORTA STAND.INF.96-99-109
0036	HSS0100	COPRIP.INF.S 66/69-4-8CL-5-10
0036	WSL01	LOWER COVER
0036	WSS01	LOWER COVER
0036A	HRLV120	COPR.INF.96-99-109R V.N(HSL01)
0036A	HRSV120	COPRIP.INF.22-23 R SM.M(HRS01)
0036A	WRL01	LOWER COVER
0036A	WRS01	LOWER COVER
0037	HSLP210	COPRIP.SUP.ST 11/15/96/99/109
0037	HSSP210	COPRIP.SUP.ST MODU+TRI(HSSS2)
0037	WSL02	UPPER COVER
0037	WSSP2	UPPER COVER
0037A	HRLV220	COPR.SUP.F.96-99-109RVN(HSLP2)
0037A	HRSV220	COP.SUP.F.66-69 ST+P.SM(HRSP2)
0037A	WRL02	UPPER COVER
0037A	WRS02	UPPER COVER
0038	HSD6910	C.PORTA 69-66S+SG22+23
0038	HSD9910	C.PORTA 96/99/109S+SG33
0038	WDL010	C.PORTA STANDARD F.111-344
0038	WDS31	DOOR ASSEMBLY
0038A	HRD69	DOOR ASSEMBLY
0038A	HRD99	DOOR ASSEMBLY
0038A	WDLR010	C.PORTA RUSTICA F.344+111 PREM
0038A	WDR31	DOOR ASSEMBLY





## 6 - Digital panel

POSITION	CODE	DESCRIPTION
0039	EH04500	TRANSFORMER T50W 230/12+WASHER
0040	ED06500	TERMOC"J"D.2X250+CAVO 1,5MT
0047	WFB4320	C.FR.COM.S 2000 MOD.(WFE43)V.N
0049	ED02300	TERMOST.DI SICURA+RIP.MANUALE
0050	EP071	GROUND CLAMP 10
0052	EP00900	MORSETTO COMP.WKN 10/U GRIGIO
0055	HS10210	C.PANN.ESTR.F.S.2000 DIG.TN
0056	WPS40	SUPPORT
0057	EN08300	CONTATTORE BF25 V.230 HZ.50/60
0058	HAT60	BAR
0059	HAT23	FLASK
0060	HE15800	SCHEDA POTENZA UNIFICATA
0061	HE17000	PANN.COM+DISPLAY+P.ALL+TARGA

**TABELLA RESISTENZE - HEATER LIST - LISTE RESISTANCE  
HEIZKÖRPER LISTE - LISTA RESISTENCIA**

MOD.	CODICE CODE CODE CODE CODIGO	RESISTENZA HEATER RESISTANCE HEIZKÖRPER RESISTENCIA
S - R 66	EE 102 / cielo	W. 720 VOLT. 400
	EE 102 / platea	W. 720 VOLT. 400
	EE 245 / cielo	W. 850 VOLT. 230
	EE 245 / platea	W. 850 VOLT. 230
S - R 69	EE 149 / cielo	W. 1300 VOLT. 400
	EE 110 / platea	W. 1100 VOLT. 400
	EE 246 / cielo	W. 1300 VOLT. 230
	EE 246 / platea	W. 1300 VOLT. 230
S - R 77	EE 227 / cielo	W. 1100 VOLT. 400
	EE 186 / platea	W. 850 VOLT. 400
	EE 250 / cielo	W. 1100 VOLT. 230
	EE 250 / platea	W. 1100 VOLT. 230
S - R 96	EE 128 / cielo	W. 1300 VOLT. 400
	EE 106 / platea	W. 1100 VOLT. 400
	EE 247 / cielo	W. 1300 VOLT. 230
	EE 247 / platea	W. 1300 VOLT. 230
S - R 99	EE 150 / cielo	W. 1900 VOLT. 400
	EE 114 / platea	W. 1600 VOLT. 400
	EE 248 / cielo	W. 2000 VOLT. 230
	EE 248 / platea	W. 2000 VOLT. 230
S - R 109	EE 151 / cielo	W. 2100 VOLT. 400
	EE 118 / platea	W. 1900 VOLT. 400
	EE 249 / cielo	W. 2300 VOLT. 230
	EE 249 / platea	W. 2300 VOLT. 230
S - R 111	EE 174 / cielo	W. 1150 VOLT. 400
	EE 192 / platea	W. 900 VOLT. 400
	EE 251 / cielo	W. 1150 VOLT. 230
	EE 251 / platea	W. 1150 VOLT. 230

MOD.	CODICE CODE CODE CODE CODIGO	RESISTENZA HEATER RESISTANCE HEIZKÖRPER RESISTENCIA
S - R 66 / E	EE 245 / cielo	W. 850 VOLT. 230
	EE 245 / platea	W. 850 VOLT. 230
S - R 69 / E	EE 246 / cielo	W. 1300 VOLT. 230
	EE 246 / platea	W. 1300 VOLT. 230
S - R 77 / E	EE 250 / cielo	W. 1100 VOLT. 230
	EE 250 / platea	W. 1100 VOLT. 230
S - R 96 / E	EE 247 / cielo	W. 1300 VOLT. 230
	EE 247 / platea	W. 1300 VOLT. 230
S - R 99 / E	EE 248 / cielo	W. 2000 VOLT. 230
	EE 248 / platea	W. 2000 VOLT. 230
S - R 109 / E	EE 249 / cielo	W. 2300 VOLT. 230
	EE 249 / platea	W. 2300 VOLT. 230
S - R 111 / E	EE 251 / cielo	W. 1150 VOLT. 230
	EE 251 / platea	W. 1150 VOLT. 230



## 7 - Heater list

POSITION	CODE	DESCRIPTION
0	EE10200	RESIS.W.720 V.400 22M/H+66 M.
0	EE10600	RESISTENZA W.1100 V.400 F.96M
0	EE11000	RESIST.W.1100 V.400 F.23-69M
0	EE11400	RESIS.W1600 V.400 F.33M-99M PL
0	EE11800	RES.CIELO W.1900 V.400 34+109M
0	EE12800	RESIST.W.1300 V.400 F.32H+96MC
0	EE14900	RESIS.CIELO W.1300 V.400 F.69M
0	EE15000	RESIST.W.1900 V.400 33H+99M-C.
0	EE15100	RESIST.W.2100 V.400 F34H+109M
0	EE17400	RESISTENZA W.1150 V.400 44-111
0	EE18600	RESIST.PLATEA W.850 V.400 77M
0	EE19200	RES.PLATEA W.900 V.400 F.111 M
0	EE22700	RESIST.CIELO W1100 V.400 F.77M
0	EE24500	RESISTENZA W.850 V.230 F.66M+E
0	EE24600	RESISTENZA W.1300 V.230 F69M+E
0	EE24700	RESISTENZA W.1300 V.230 F96M+E
0	EE24800	RESISTENZA W.2000 V.230 F99M+E
0	EE24900	RESISTENZA W.2300 V.230 109M+E
0	EE250	W. 1100 VOLT. 230
0	EE25100	RESISTENZA W.1150 V.230 111M+E