

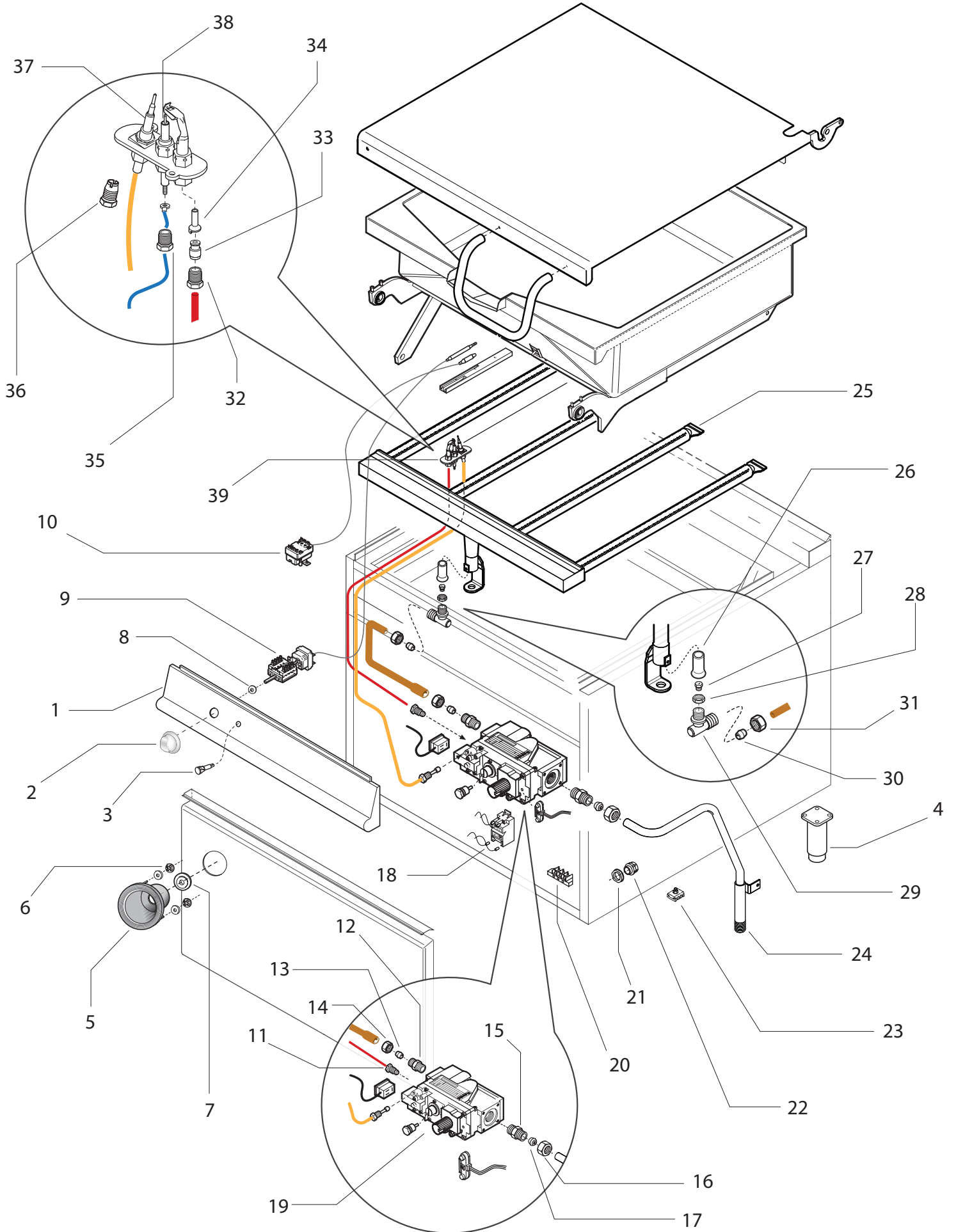


Thermische Geräte Serie 900
Gas-Kippbratpfanne
Artikel-Nr. 147003 (90BR/GM80)

Explosionszeichnung / Ersatzteile

Bitte bei Ersatzteilbestellung immer Artikelnummer und Seriennummer mit angeben!

90BR/GM80



Series 900

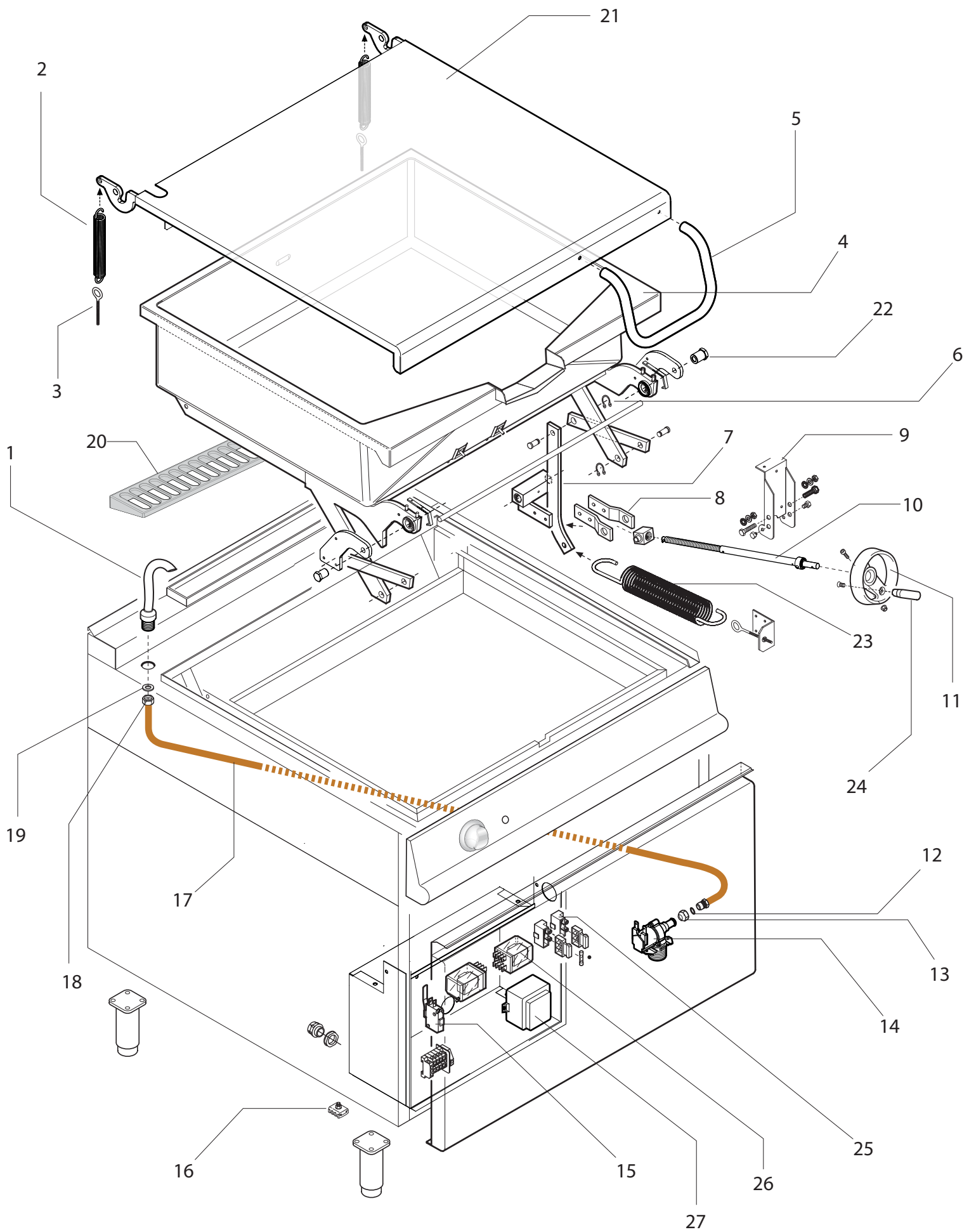
BRATT PANS 90BR/GM80

Table_A

POS.	CODE	PIECES	DESCRIPTION	DATA	C
1	CR0936630	1	CONTROL PANEL		
2	CR0933821	1	KNOB		C
3	CR0587500	1	ORANGE LIGHT		C
4	MA6086113	4	FOOT		
5	CR0589790	1	GAS VALVE COVER		
6	MA15860399	4	STUD PLATE		
7	CR0589800	1	SEAL PIN		C
8	CR0587650	1	SEAL SWITCH		C
9	CR0581280	1	SWITCH THERMOSTATE		
10	MA1878500	1	SAFETY THERMOSTATE		
11	MACM161900	1	THERMOCOPY RIVET		
12	CR05889220	1	NIPPLE M 20		
13	MA417810	1	BICONE VALVE DUCT		
14	MA673100	1	NUT FOR BICONE		
15	MA1953700	1	NIPPLE M 20		
16	MA142100	1	NUT FOR BICONE		
17	MA1127400	1	BICONE FOR GAS RAMP		
18	MA2971400	1	PIEZO STARTER		C
19	MA1871200	1	GAS VALVE		
20	CR0588180	1	TERMINAL BLOCK		
21	MA1037115200	1	LOCK NUT		
22	MA1037115100	1	CABLE RETAINER		
23	MA1878700	1	TERMINAL BLOCK		
24	CR0840631	1	GAS RAMP		
25	CR0681402	1	BURNER		
26	CR0682402	1	BURNER DUCT		
27	TABLE B	1	BURNER NOZZLE		
28	MA1033700200	1	NUT FOR NOZZLE		
29	CR0585660	1	ANGLE SHAPE DUCT		
30	MA86720	1	BURNER BICONE		
31	MA1326500	1	NUT FOR BICONE		
32	MA673500	1	NUT FOR PILOT		
33	MA673600	1	BICONE FOR PILOT		
34	TABLE B	1	NOZZLE FOR PILOT		
35	MA1888400	1	NUT FOR CANDLE		
36	MA1891700	1	NUT FOR THERMOCOPY		
37	MACM029100	1	THERMOCOPY		C
38	MA1888300	1	PILOT STARTER		C
39	MACM029000	1	TARGET PILOT		

C >>> Recommended exchange

90BR/GM80



Series 900

BRATT PANS 90BR/GM80

Table_A

POS.	CODE	PIECES	DESCRIPTION	DATA	C
1	CR0681381	1	FAUCET		
2	CR0589520	2	BALANCE SPRING		
3	CR0589730	2	EYELET		
4	CR0589771	1	INOX TANK		
4	CR0589041	1	STEEL TANK		
5	CR0682470	1	HANDLE		
6	CR0589720	2	SAFETY RING		C
7	CR0840651	2	LATERAL LIFT		
8	CR0589560	2	MAINSCREW SUPPORT		
9	CR0682191	1	SCREW SUPPORT		
10	MA15206699	1	SCREW ASSEMBLY		
11	MA1475291	1	WHEEL		C
12	MA2867700	1	OR		
13	CR0682340	1	NUT		
14	CR0682320	1	ELECTRIV VALVE		C
15	MA1037111300	1	MICROSWITCH		C
16	MA1878400	1	TERMINAL BLOCK		
17	CR0682430	1	DUCT		
18	MACM066200	1	NUT		
19	MA14072299	1	OR		
20	CR0901240	1	EXHAUSTING GRID		
21	CR0681270	1	TOP		
22	CR0589710	1	PIVOT		
23	CR0589690	1	BALANCE SPRING		C
24	MA77122500	1	WHEEL HANDLE		
25	MA4672000	1	FUSE SEAT		
26	CR0687240	1	RELE		
27	CR0684780	1	TRANSFORMER		

C >>> Recommended exchange

EDITION 01 2012

CR0786689

Series 900

Table_B

POS.	POT	COD	QUANT	DIAM	GAS
27	20 Kw		1	∅ 320	+
27	20 Kw		1	∅ 210	■
27	20 Kw		1	∅ 360	■
27	20 Kw	MA523211	1	∅ 195	•
27	20 Kw	MA523811	1	∅ 225	○
27	20 Kw	MA525611	1	∅ 340	■▲
27	20 Kw	MA525911	1	∅ 370	▼
27	24 Kw	MA526011	1	∅ 380	■▲
27	24 Kw	MA526411	1	∅ 420	▼
27	24 Kw		1	∅ 350	+
27	24 Kw		1	∅ 400	■
27	24 Kw	MA524311	1	∅ 250	○
27	24 Kw		1	∅ 230	■
27	24 Kw	MA523611	1	∅ 215	•
34		MA1888000	1	∅ 14	○ ■ •
34		MA1887800	1	∅ 27	■▲▼■+

GAS ID

• G30/50 ■ G30÷31/37 ○ G30/28÷37

■ G20/20 ▲ G25/25 ▼ G25/20 ■ G25.1/25 + G20/26

G110 8mbar G120 8mbar