

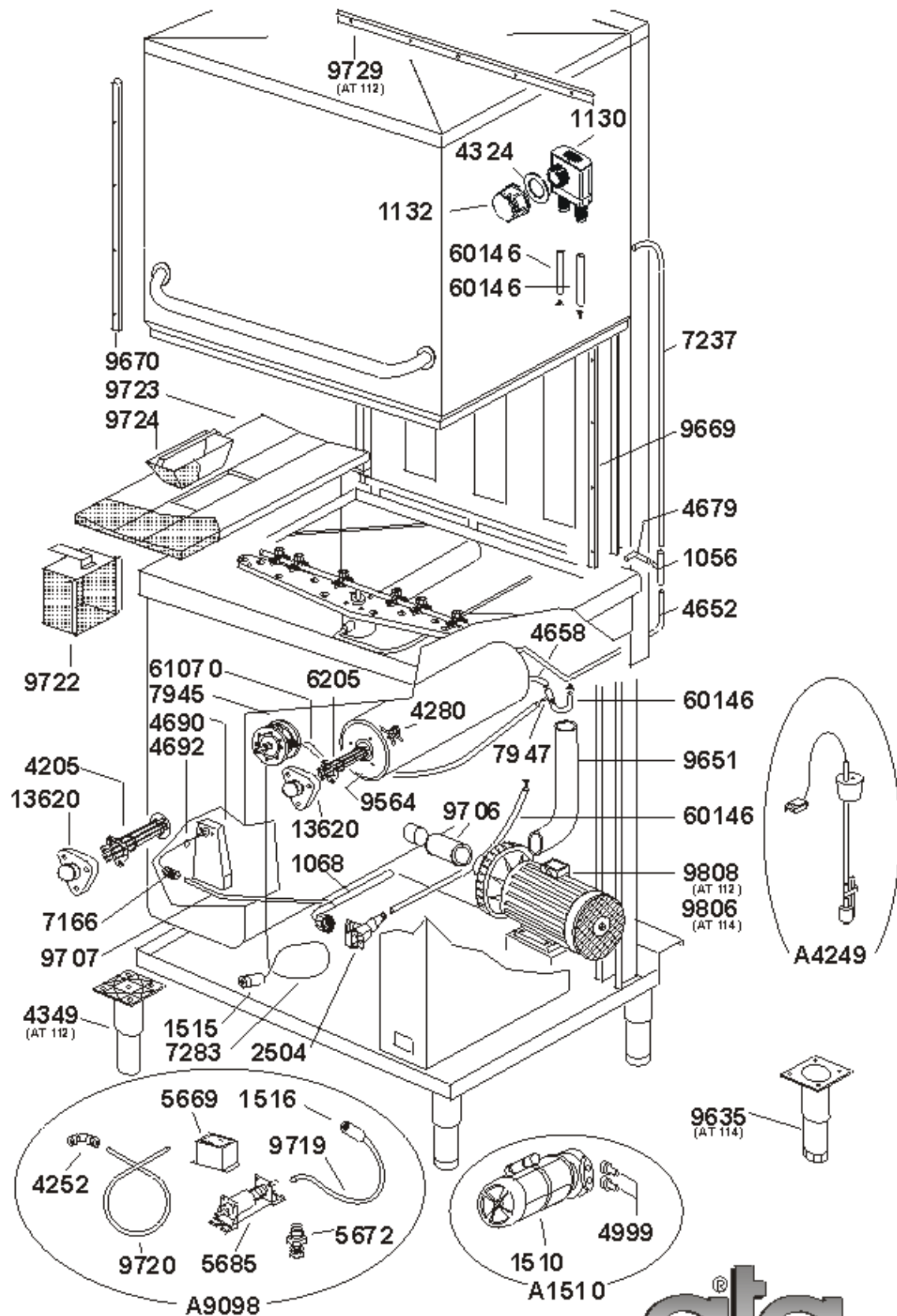
Modello
Modello
Modello

AT 112-114-116



Dis. N° EE.AT.006

data: 01-01-02



Modello
Modello
Modello

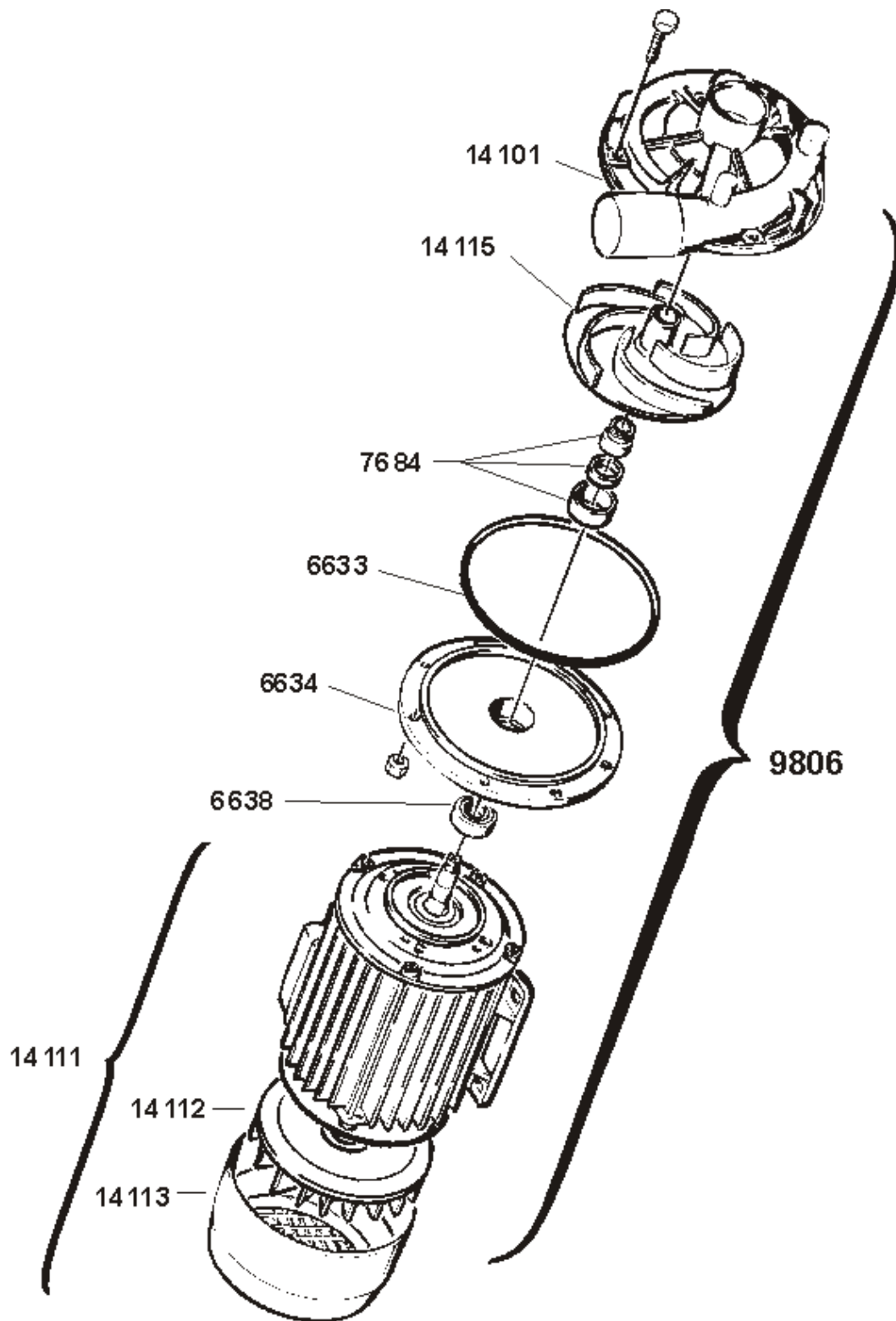
AT 112-114



Dis. N° EM.AT.004

data: 01-01-02

A.T.A. S.R.L. 35026 COSELVE (PD) ITALY - VIALE DEL PROGRESSO 20 - Z. I. PHONE 049/9500555 (4 LINEE RA.) FAX 0499/500560



Modello
Modello
Modello

ELETTROPOMPA 2 HP

Dis. N° EE.P011

data: 01-01-02



A.T.A. S.R.L. 35026 CO NSEVE (PD) ITALY - VIALE DEL PROGRESSO 20 - Z. I. PHONE 049/9500555 (4 LINEE RA.) FAX 0499/500560