

WAREWASHER

ELECTROMECHANICAL SWITCHES
SIMPLE BODY VERSION

TYPE: 17U

Accessories

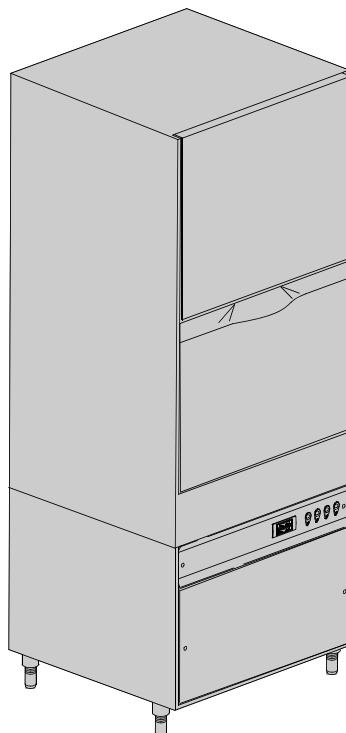
BOOSTER PUMP

DVGW

DETERGENT DISPENSER

DRAIN PUMP

Spare parts



1. Spare parts

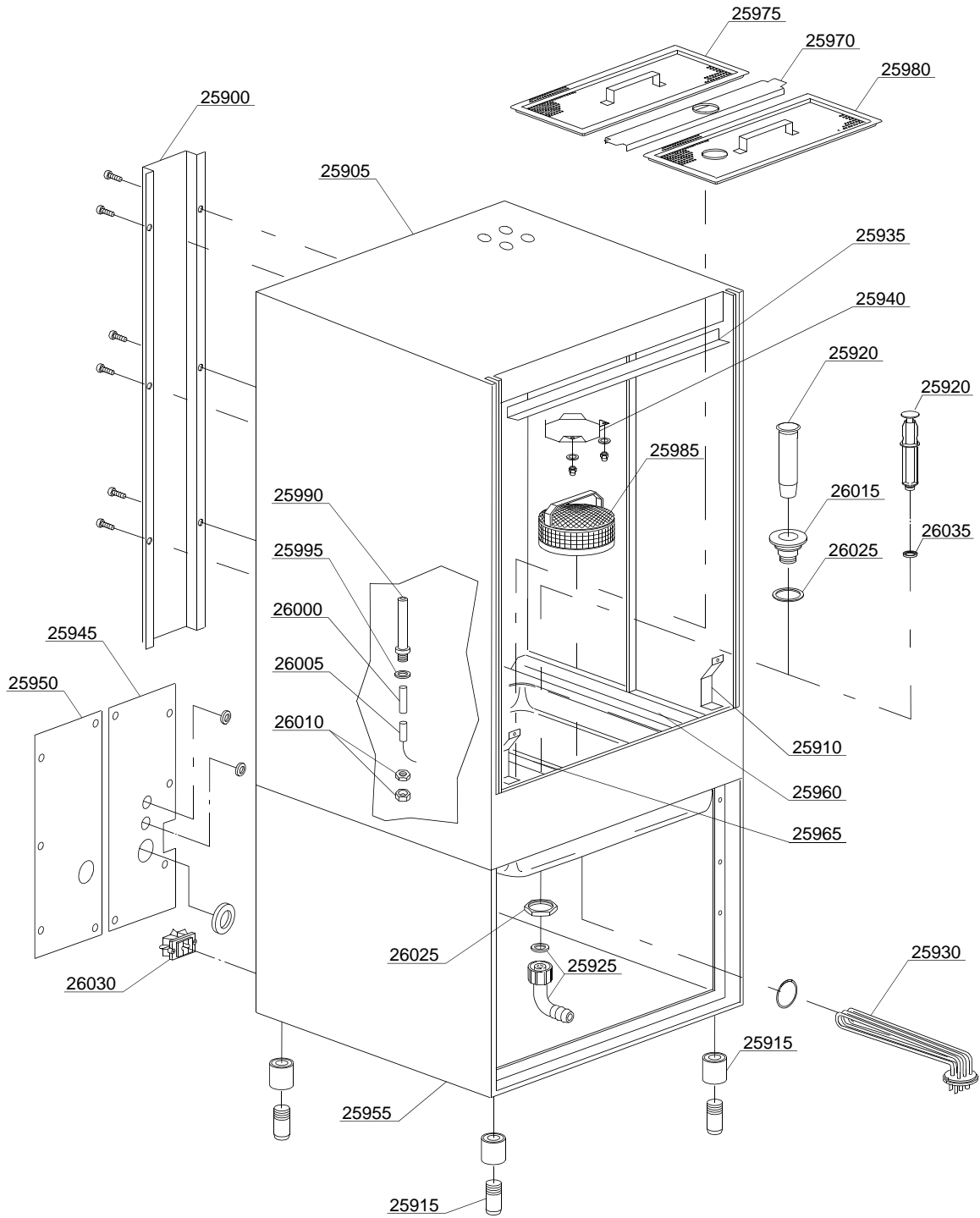
General body parts.....	7
Lockup system	9
Control panel	11
Control electric components.....	13
Solenoid valve group	15
Booster pump.....	17
DVGW	19
Shining product dosing device group .	21
Boiler group	23
Derivation group	25
Wash pump	27
Dosing device group	29
Dosing device group	31
Drain pump group.....	33
Pressure switch group with air trap ...	35
Turret group with rotating arms	37

1.1 Voltage codes

Voltage code	Voltage
A	3/N/PE~400/230V 50Hz
B	~250V 16A 50Hz
C	3/N/PE~380/220V 50Hz
D	3/PE~200V 50-60Hz
F	2/PE 220-240V 50Hz
G	3/N/PE~415/240V 50Hz
H	3/PE~230V 50Hz
I	3/PE~220V 60Hz
J	3/PE~380 50Hz
K	3/PE~400V 50Hz
L	3/PE~415V 50Hz
M	3/PE~440V 60Hz
N	3/PE~460V 60Hz
O	3/PE~480V 60Hz
P	1/N/PE~220-240V 50Hz
R	2/PE~220-230V 60Hz
S	3/N/PE~400/230V 50Hz
T	3/PE~230V 60Hz

1.2 Product codes

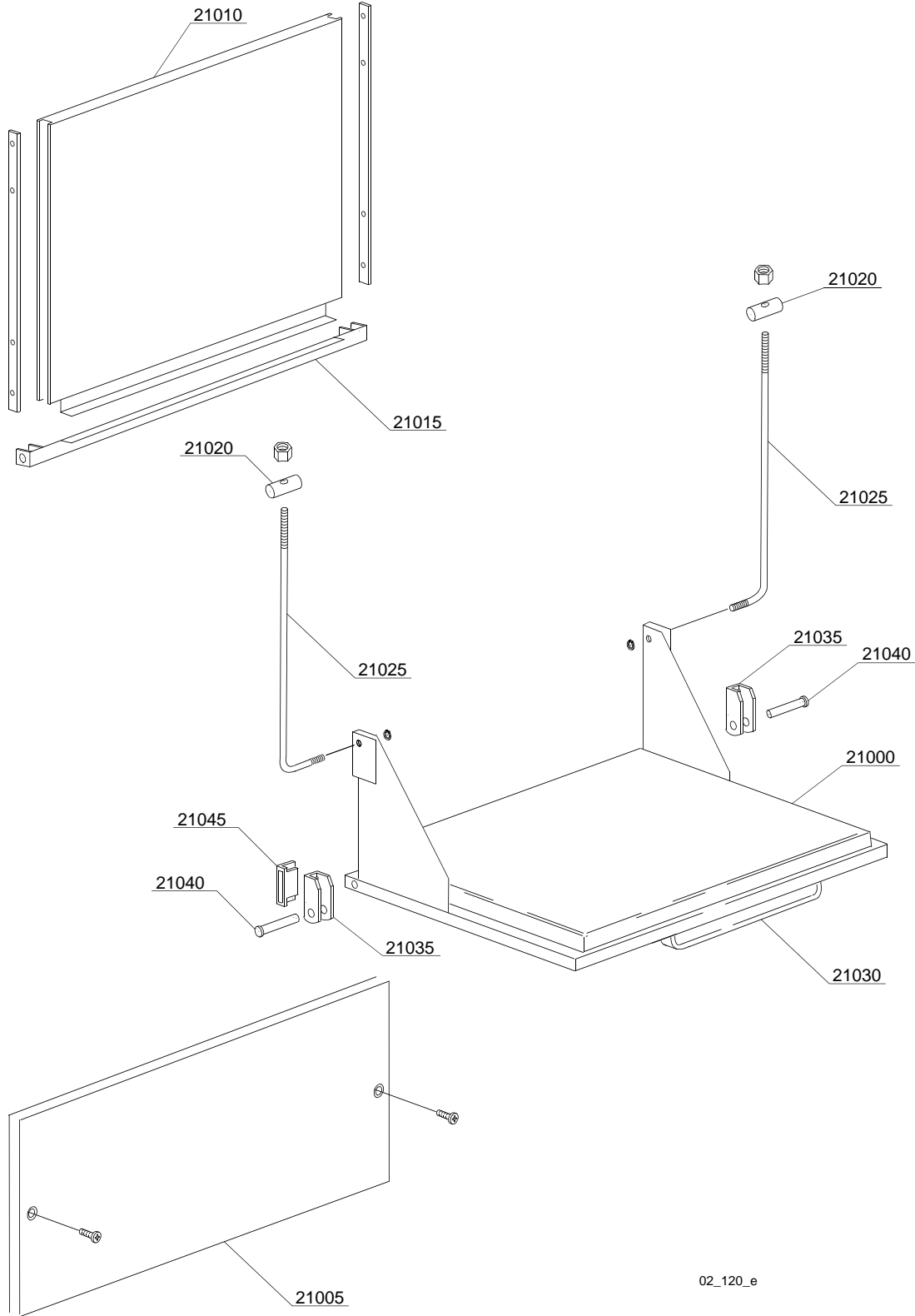
Product code	Full name
Model codes	
em	ELECTROMECHANICAL SWITCHES
mc	SIMPLE BODY VERSION
Type codes	
17U	17U
Accessory codes	
pap	BOOSTER PUMP
dvgw	DVGW
dde	DETERGENT DISPENCER
ps	DRAIN PUMP



01_022_e

Spare parts

ID	P-code	Model	Type	Accessory	Voltage	Description
MODULE:General body parts						
25900	23224		17U			Back panel
25905	23205		17U			Body
25910	22254		17U			Right splash guard
25915	15116		17U			Foot
25920	500619		17U			Overflow pipe
25920	22251		17U			Overflow pipe
25925	15613		17U			Drain elbow
25930	15047/A		17U			2,7KW heating element
25935	22231		17U			Upper splash guard
25940	22232		17U			Chimney splash guard
25945	23228		17U			Right back panel
25950	23230		17U			Left back panel
25955	23204		17U			Base
25960	22209		17U			Right internal slide
25965	22209/A		17U			Left internal slide
25970	75926		17U			Sleeper holder-filter
25975	75626		17U			Surface half-filter
25980	75625		17U			Half-filter with hole
25985	15911		17U			Stainless steel filter
25990	22213		17U			Reed-holder
25995	10200171		17U			25x17x2 gasket
26000	22213/A		17U			Reed-holder spacer
26005	2000309		17U			Economizer reed
26010	22214		17U			Nut
26015	10200113		17U			Floor drain
26020	10200173		17U			75x58x2 gasket
26025	10200114		17U			Floor drain nut
26030	15065/A		17U			Cable-fastener with screw
26035	13021		17U			DEM 40 gasket

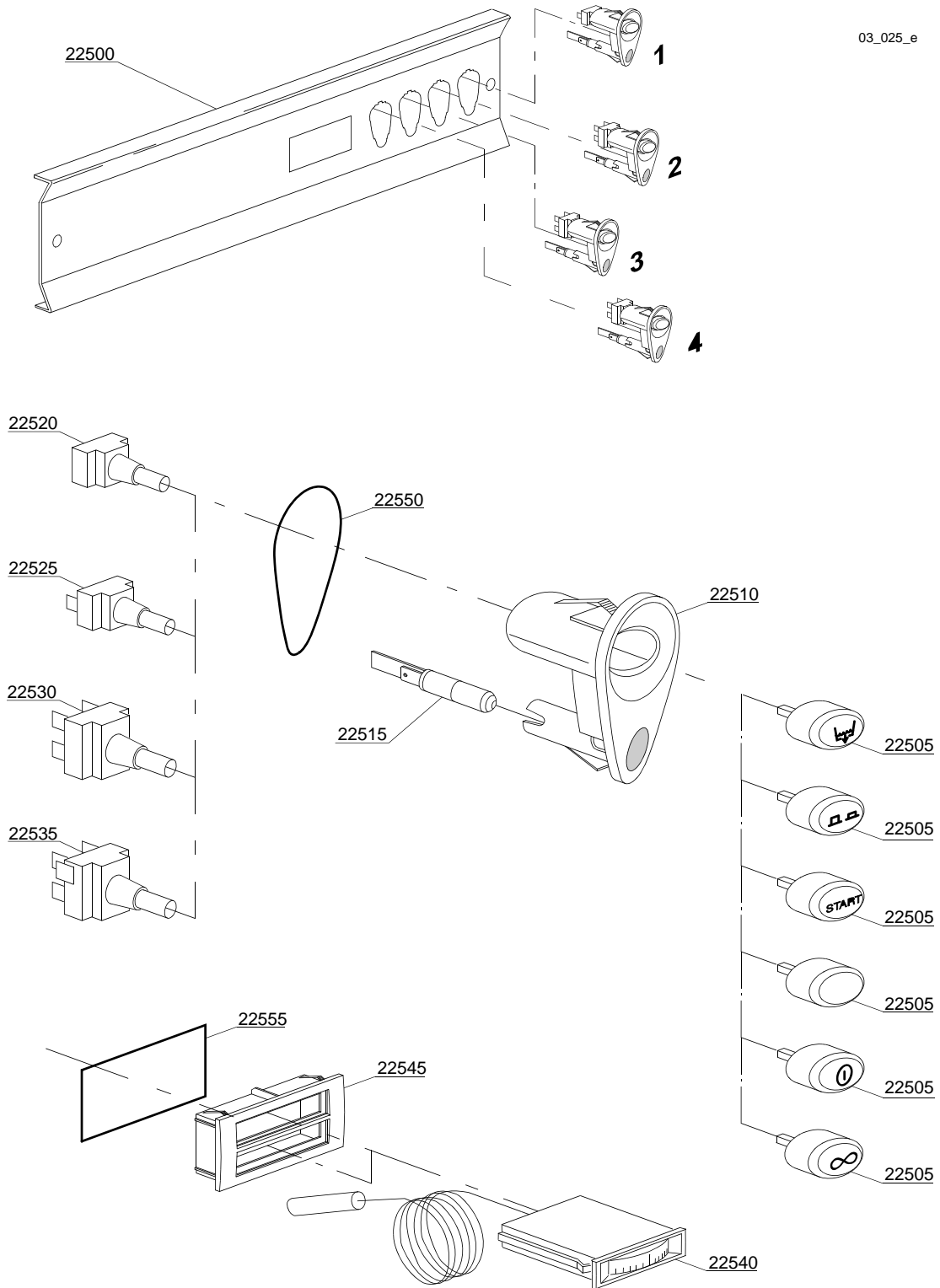


02_120_e

Spare parts

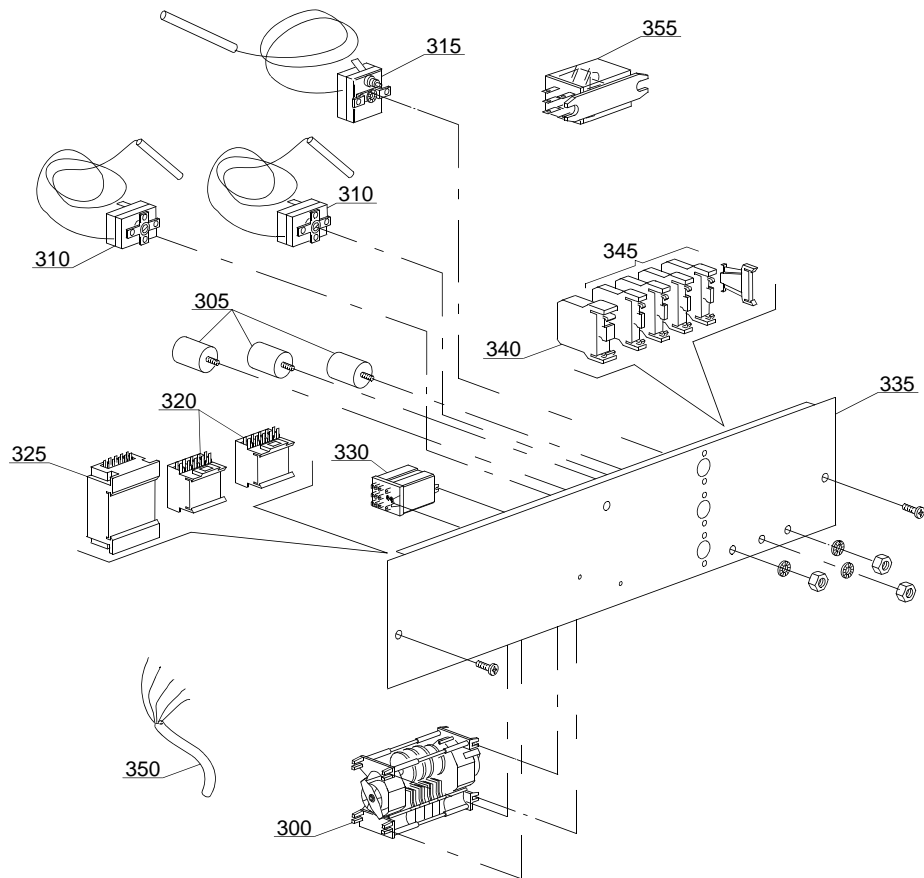
ID	P-code	Model	Type	Accessory	Voltage	Description
MODULE:Lockup system						
21000	23206		17U			Door with steel handle
21005	23208		17U			Lower door
21010	23207		17U			Upper door
21020	22219		17U			Small cylinders
21025	23220		17U			Door rod
21030	22215		17U			Stainless steel handle
21035	22206/B		17U			Door support
21040	22220/A		17U			Hinge door
21045	80232		17U			Reed magnet

Spare parts



Spare parts

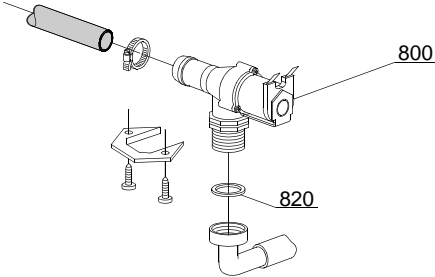
ID	P-code	Model	Type	Accessory	Voltage	Description
MODULE:Control panel						
22500	23234		17U			Star control panel
22505	89343		17U	dp		Drain pump key
22505	89342		17U			Time push selector switch key
22505	89341		17U			Start key
22505	89348		17U			Blind key
22505	89340		17U			ON-OFF key
22505	89346		17U			Continuous cycle key
22510	89300		17U			Key support
22515	15826		17U			Pilot lamp
22520	15844		17U			Key support
22525	15813		17U			16A unipolar push button
22530	15812		17U			16A switch
22530	15800		17U			16A bipolar push button
22535	15811		17U			16A bipolar switch
22535	15811/A		17U			16A bipolar switch push button
22540	10500011		17U			Thermometer
22545	89306		17U			Double thermometer support
22550	89332		17U			OR gasket
22555	89331		17U			OR gasket



04_011_e

Spare parts

ID	P-code	Model	Type	Accessory	Voltage	Description
MODULE:Control electric components						
300	22011		17U		A	"120/240"" timer with thermostop"
305	15149		17U		A	Low noise filter
310	10707/1		17U		A	0-90°C thermostat
315	2000430		17U		A	Safety thermostat
320	15086		17U		A	Remote control switch 230V 50/60Hz 4C
320	15086/B		17U		A	Remote control switch 240V 50/60Hz
325	10300050		17U		A	25A/12A remote control switch
330	16037		17U		A	16A bipolar relay
335	22210		17U		A	Electric component panel
340	10300401		17U		A	6/8mm ² yellow/green terminal
345	10300403		17U		A	6mm ² terminal
350	80200		17U		A	5x4x3400 cable
350	75359		17U			4x6 flame-retardant cable
355	15620		17U	dp		Bipolar relay in deviation

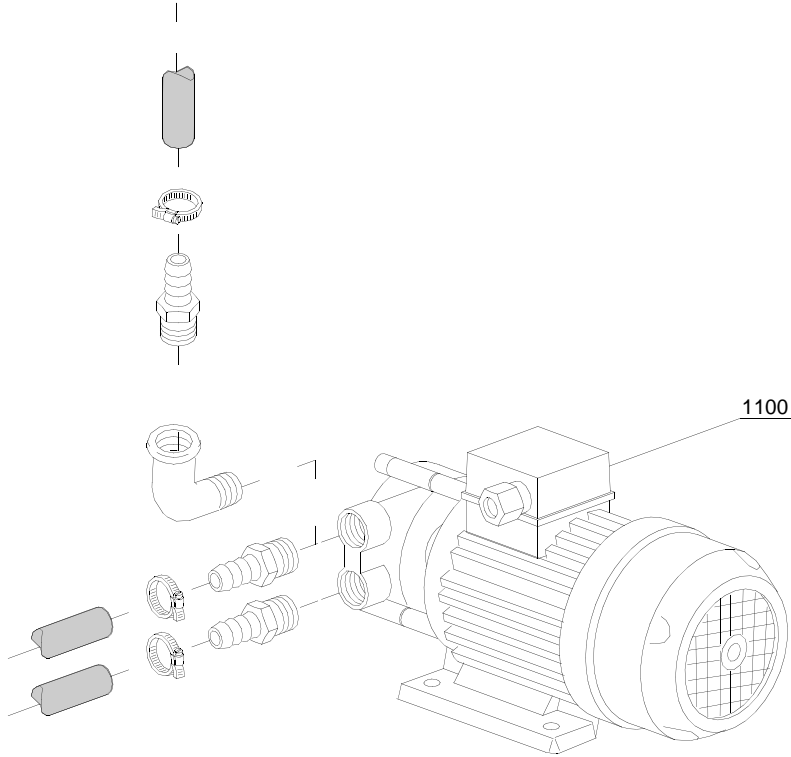


05_005_e

Spare parts

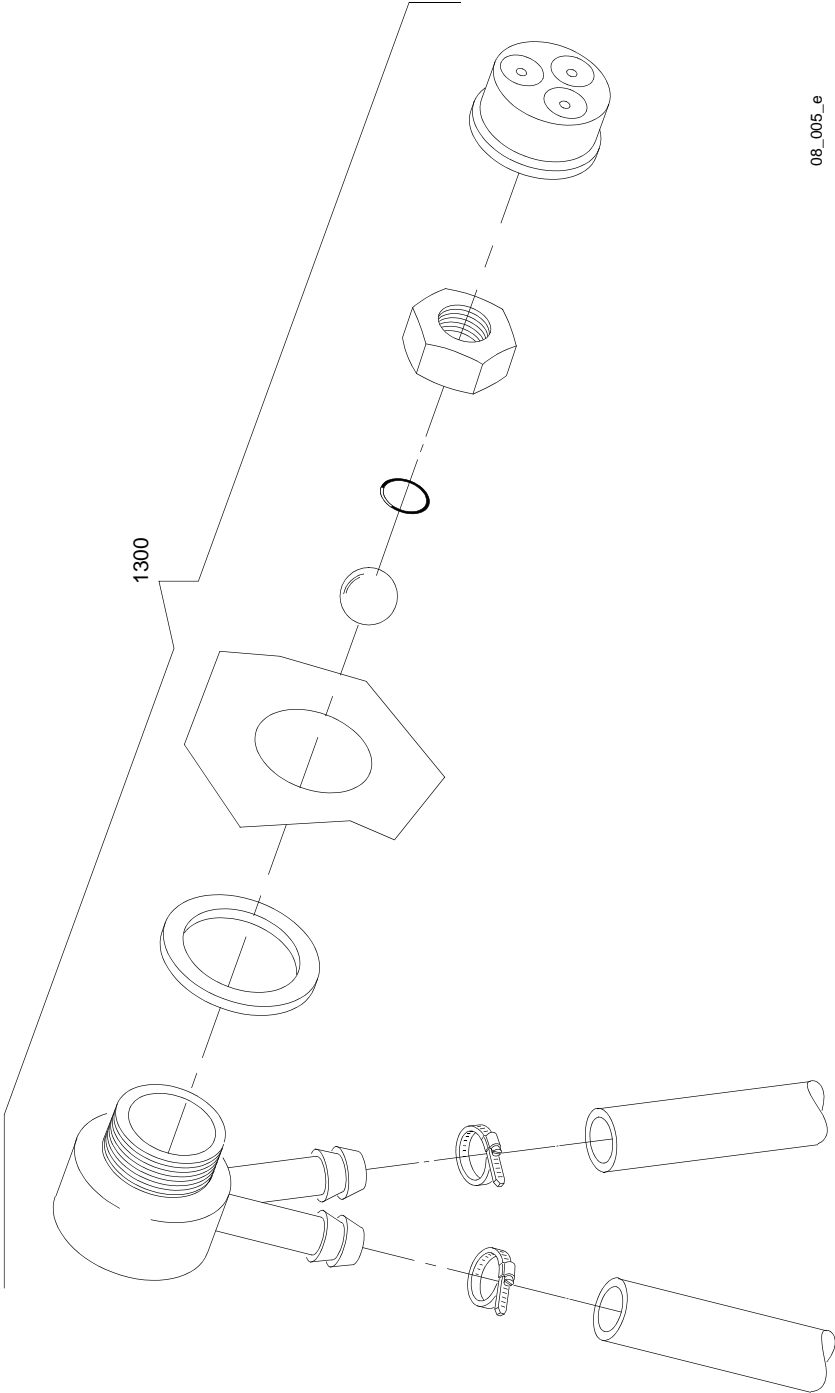
ID	P-code	Model	Type	Accessory	Voltage	Description
MODULE: Solenoid valve group						
800	30001000		17U			Single solenoid valve
820	N.C.		17U			Pression reducing valve

07_002_e



Spare parts

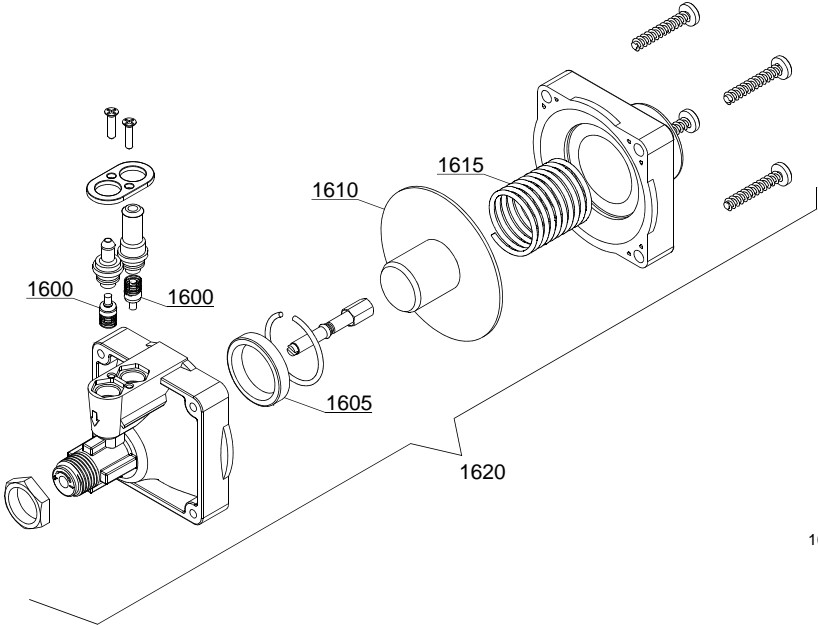
ID	P-code	Model	Type	Accessory	Voltage	Description
MODULE:Booster pump						
1100	15100		17U	bp		Booster pump



08_005_e

Spare parts

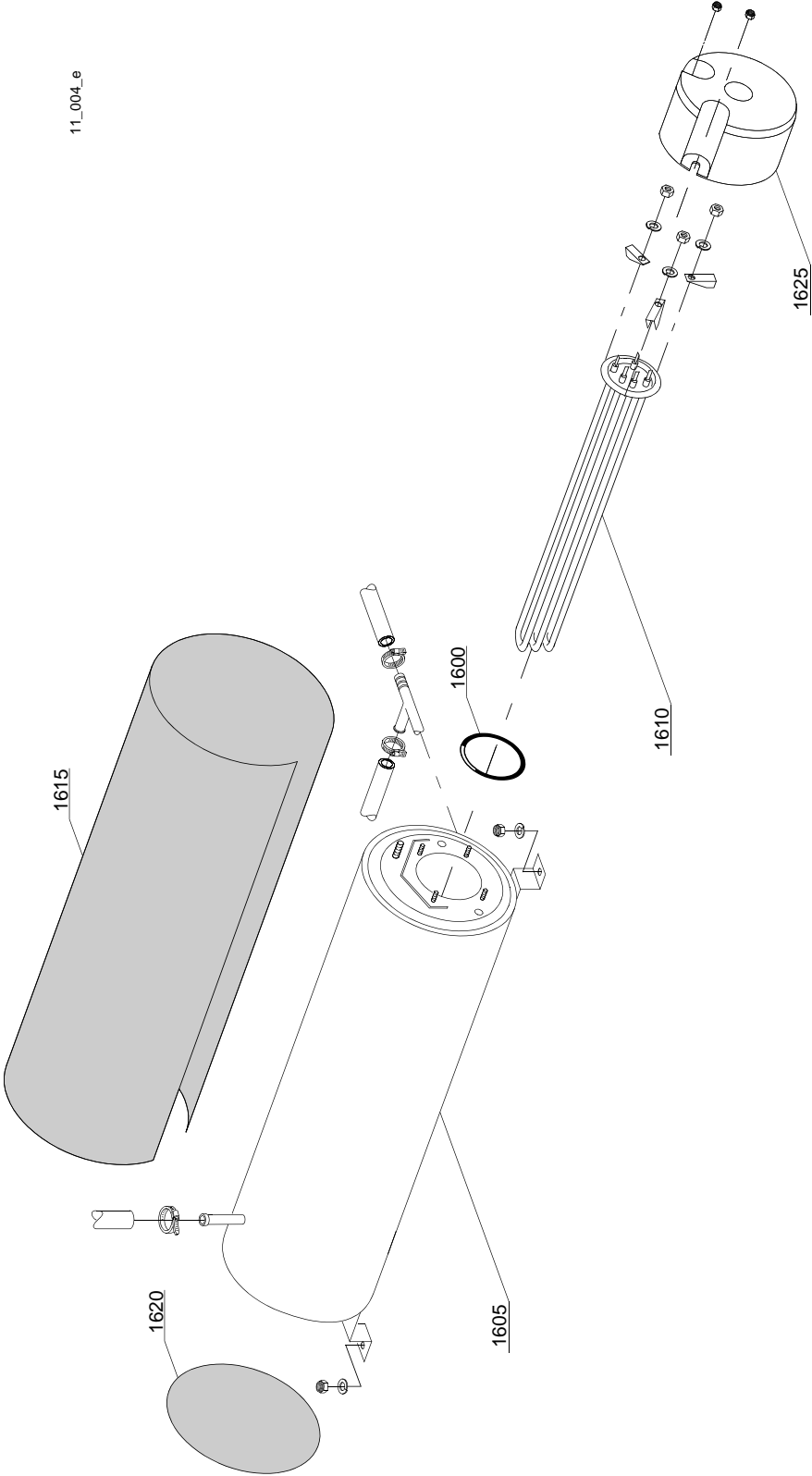
ID	P-code	Model	Type	Accessory	Voltage	Description
MODULE:DVGW						
1300	999900006		17U	dvgw		DVGW assembly



10_003_e

Spare parts

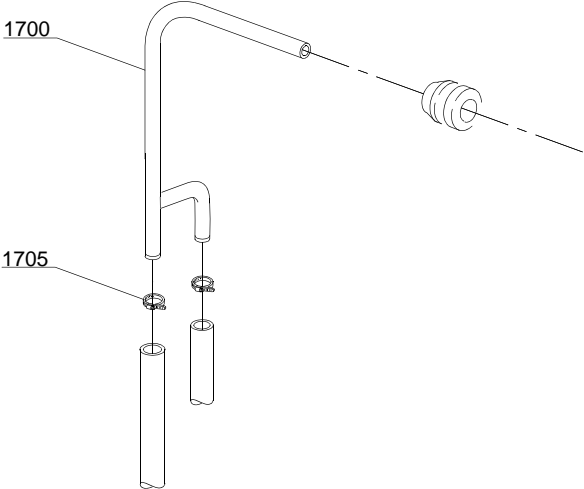
ID	P-code	Model	Type	Accessory	Voltage	Description
MODULE:Shining product dosing device group						
1600	10805		17U			Tecnopro dosing valve
1605	10806		17U			Ø22 gasket
1610	10807		17U			Membrane
1615	10808		17U			Spring
1620	10599999		17U			Shining product dosing device
1625	12525		17U			Counter-weight
1630	15058		17U			Small filter



Spare parts

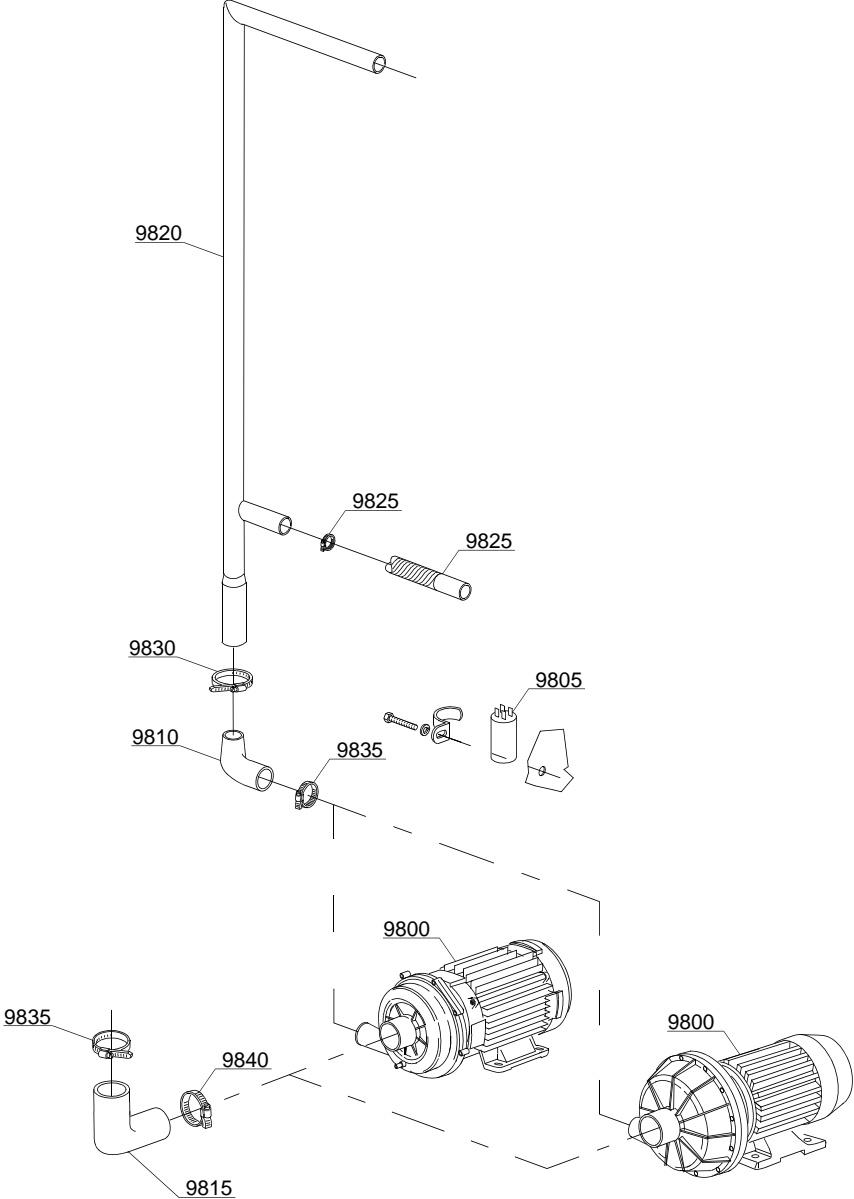
ID	P-code	Model	Type	Accessory	Voltage	Description
MODULE:Boiler group						
1600	13015		17U			6225 OR 160 NBR gasket
1605	22002		17U			Boiler
1610	30001010		17U			6KW heating element
1610	30001011		17U			9KW heating element
1615	30002030		17U			Insulating boiler
1620	75205		17U			Ø160 bottom

12_007_e



Spare parts

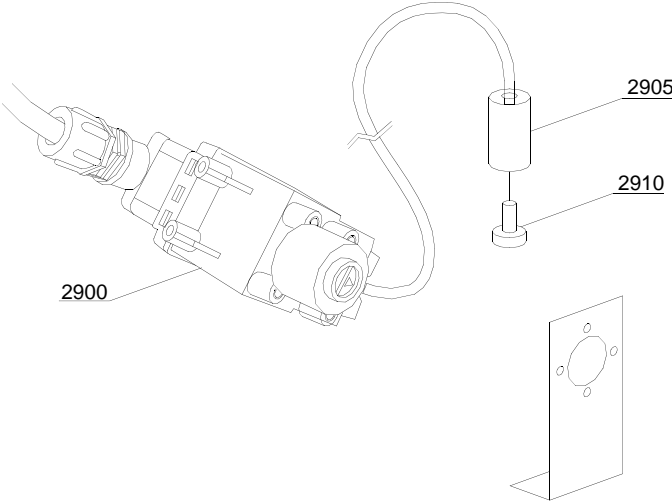
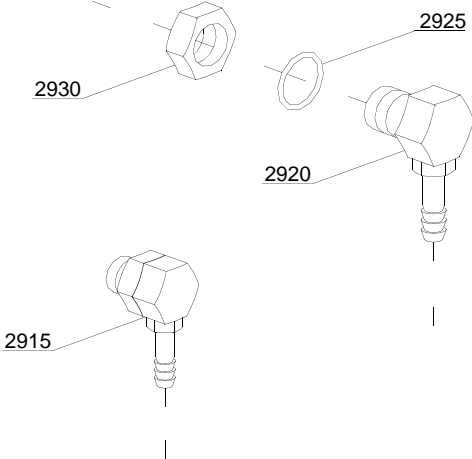
ID	P-code	Model	Type	Accessory	Voltage	Description
MODULE:Derivation group						
1700	15045/B		17U			3 ways derivation
1705	11807		17U			12/22 clamp



13_108_e

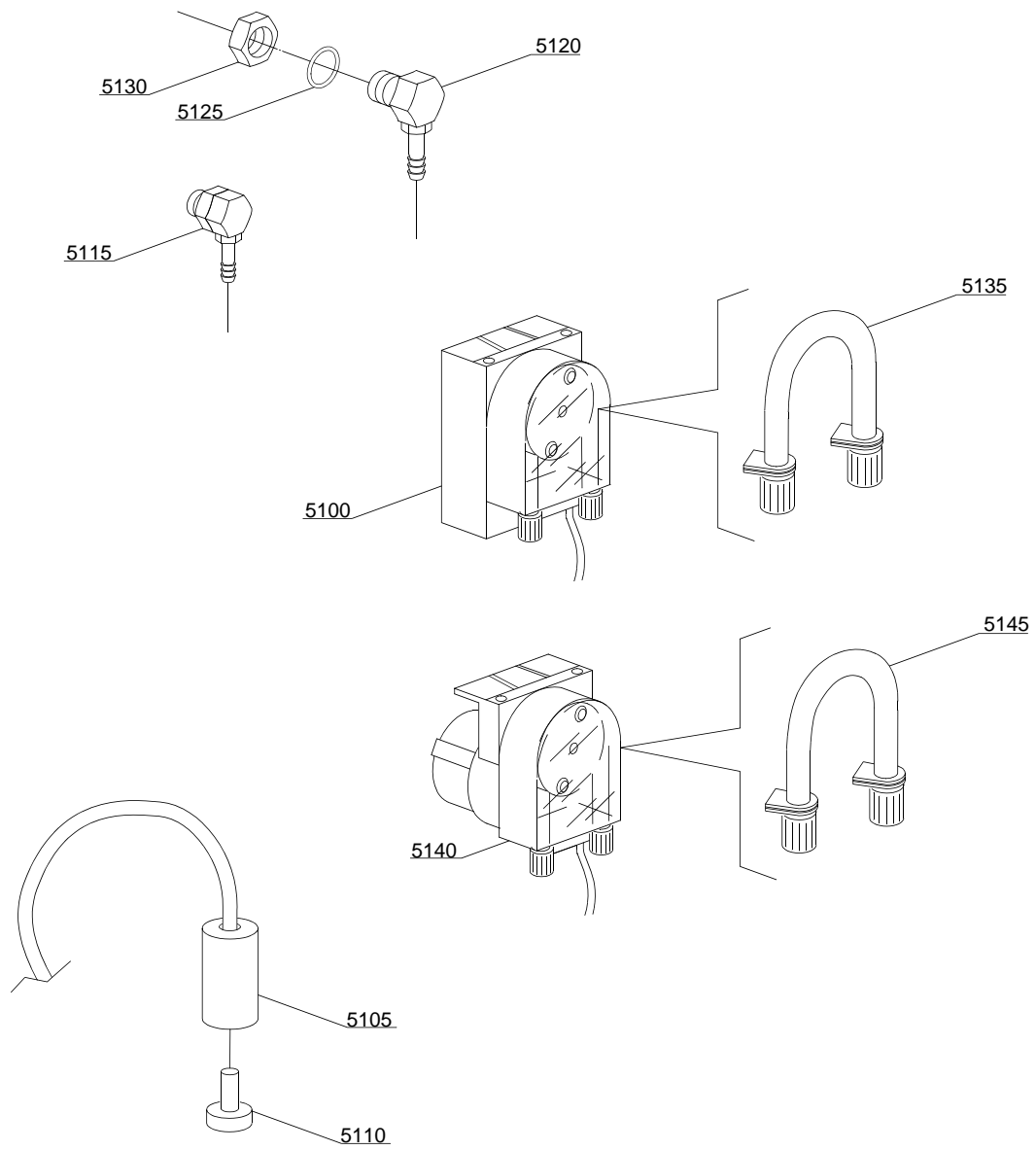
ID	P-code	Model	Type	Accessory	Voltage	Description
MODULE:Wash pump						
9800	88106		17U			2,7Hp wash pump
9800	88106/E		17U			2,7Hp wash pump - 240/415V
9810	16170/M		17U			Delivery side pipe coupling
9815	15032/A		17U			Suction pipe coupling
9820	23203		17U			Wash ramp
9825	15033/A		17U			Lower delivery wash pipe
9830	11809		17U			30/45 clamp
9835	11824		17U			50/70 clamp
9840	2902491		17U			60/80 clamp

14_002_e



Spare parts

ID	P-code	Model	Type	Accessory	Voltage	Description
MODULE:Dosing device group						
2900	15108/L		17U	dd		Lang dosing device
2905	12525		17U	dd		Counter-weight
2910	15058		17U	dd		Small filter
2915	15123		17U	dd		Compleat plastic injector
2920	15148		17U	dd		Steel injector
2925	15159		17U	dd		OR gasket
2930	10200205		17U	dd		M12x1 stainless steel nut

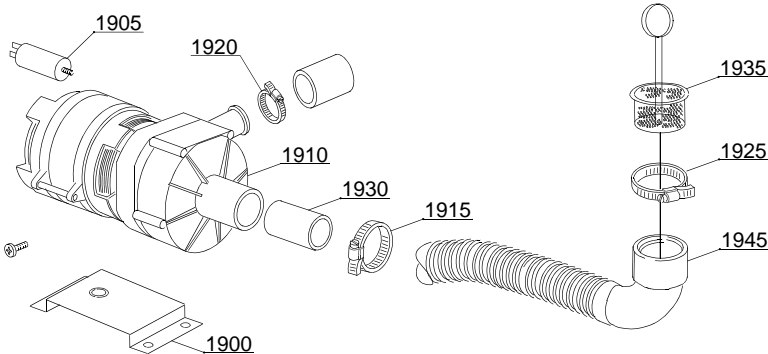


14_004_e

Spare parts

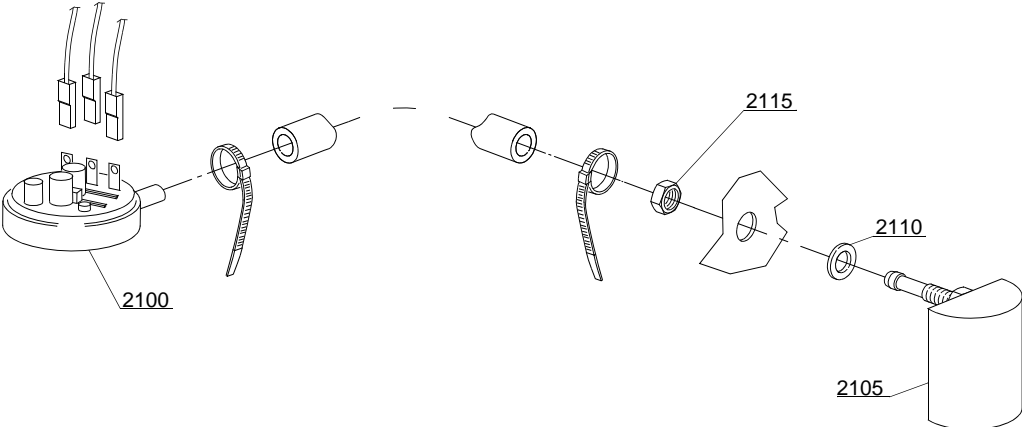
ID	P-code	Model	Type	Accessory	Voltage	Description
MODULE:Dosing device group						
5100	15985		17U	dd		Seko dosing device
5105	12525		17U	dd		Counter-weight
5110	15058		17U	dd		Small filter
5115	15123		17U	dd		Complet plastic injector
5120	15148		17U	dd		Steel injector
5125	15159		17U	dd		OR gasket
5130	10200205		17U	dd		M12x1 stainless steel nut
5135	15185		17U	dd		Seko thermoplastic pipe
5140	15985		17U	dd		Germac dosing device
5145	15108/E		17U	dd		Germac thermoplastic pipe

15_003_e



Spare parts

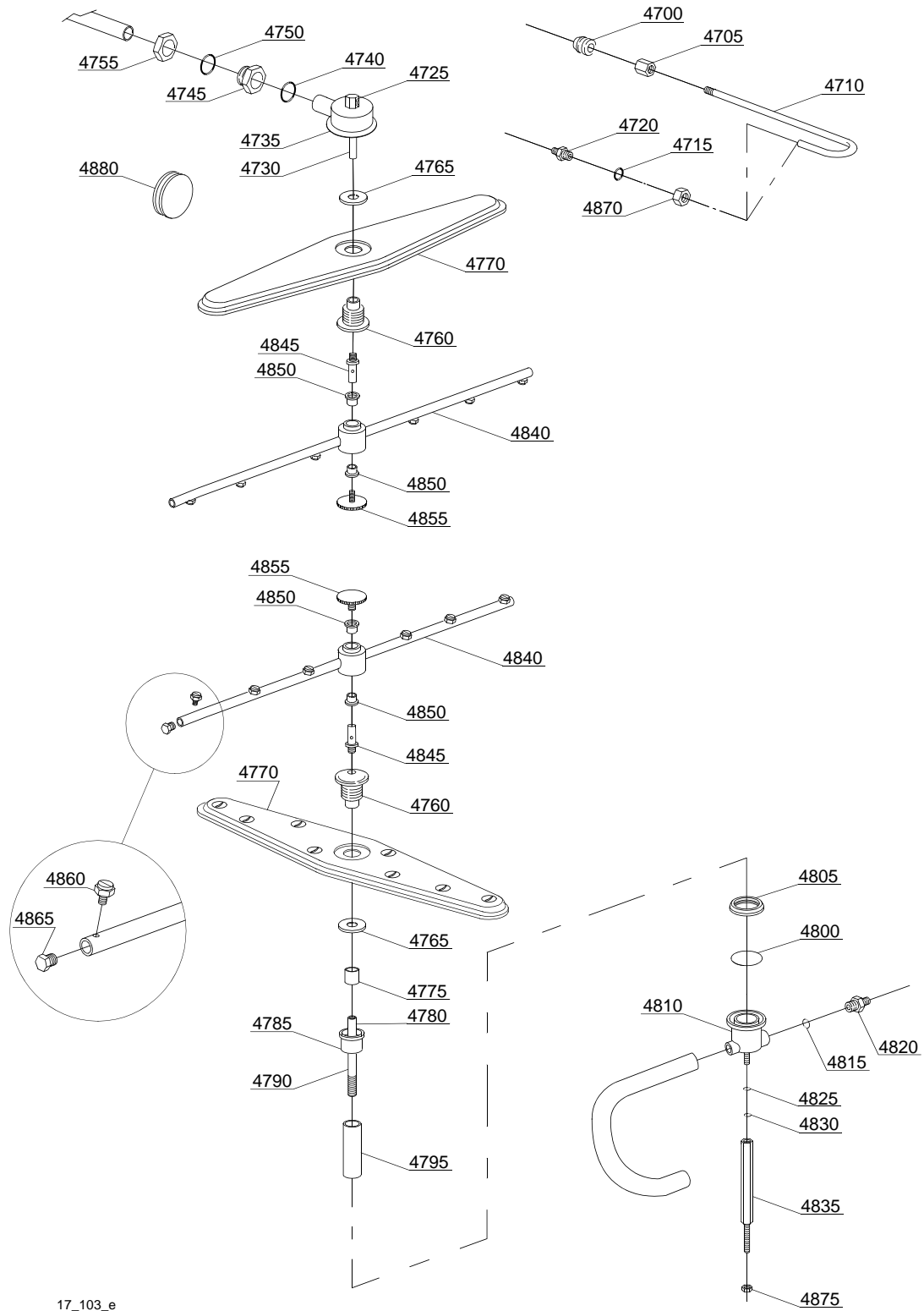
ID	P-code	Model	Type	Accessory	Voltage	Description
MODULE:Drain pump group						
1905	10702		17U	dp		5 uF condenser
1910	10501/A		17U	dp		Drain pump
1915	11806		17U	dp		25/40 clamp
1920	11836		17U	dp		20/32 clamp
1925	11809		17U	dp		30/45 clamp
1935	10200039		17U	dp		Flow drain filter



16_001_e

Spare parts

ID	P-code	Model	Type	Accessory	Voltage	Description
MODULE:Pressure switch group with air trap						
2100	75950		17U			86-59 pressure switch
2105	10911/C		17U			Air trap assembly
2110	13301		17U			Gasket
2115	11702		17U			M8 stainless steel nut



17_103_e

Spare parts

ID	P-code	Model	Type	Accessory	Voltage	Description
MODULE:Turret group with rotating arms						
4700	13304		17U			Pipe-pass gasket
4705	12526		17U			Stainless steel pipe coupling
4710	75066		17U			Top rinse ramp
4715	13003		17U			OR 112 NBR gasket
4720	12006		17U			Ø10 rinse pipe fitting
4725	75319		17U			Rinse elbow
4730	75322		17U			Top rinse axle extension
4735	75067		17U			Stainless steel turret
4740	13004		17U			OR 3137 NBR gasket
4745	15042		17U			"1"" 1/4 ring nut"
4750	13008		17U			OR 147 NBR gasket
4755	15042/A		17U			Nut
4760	75320		17U			Hub for rotor
4765	75317		17U			Nut for hub
4770	75915		17U			Stainless steel wash rotor
4775	75321		17U			Spacer for hub
4780	75315		17U			Rinse axle extension
4785	15040/A		17U			Lower wash bell-shape
4790	22026		17U			Lower extension axle
4795	22050		17U			Steel pipe coupling
4800	13022		17U			OR 4150 gasket
4805	15038		17U			Ring nut connection
4810	15041/A		17U			Grey wash/rinse lower distributor
4815	13003		17U			OR 112 NBR gasket
4820	12506		17U			Ø10 rubber-holder
4825	11185		17U			8x16 steel plane washer
4830	13313		17U			8x24x2 gasket
4835	23303		17U			Lower tie rod
4840	75918		17U			Top/lower rinse group
4845	75323		17U			Rinse axle
4850	13330		17U			Sliding washer
4855	11101/B		17U			Stainless steel group fixing screw
4860	560018		17U			Stainless steel rinse nozzle
4865	560017		17U			Rinse arm plug
4870	12006/A		17U			Ø10 pipe fitting 3/8x3,5 nut 19 hexagonal
4875	11702		17U			M8 stainless steel nut
4880	13316/A		17U			DVGW hole gasket