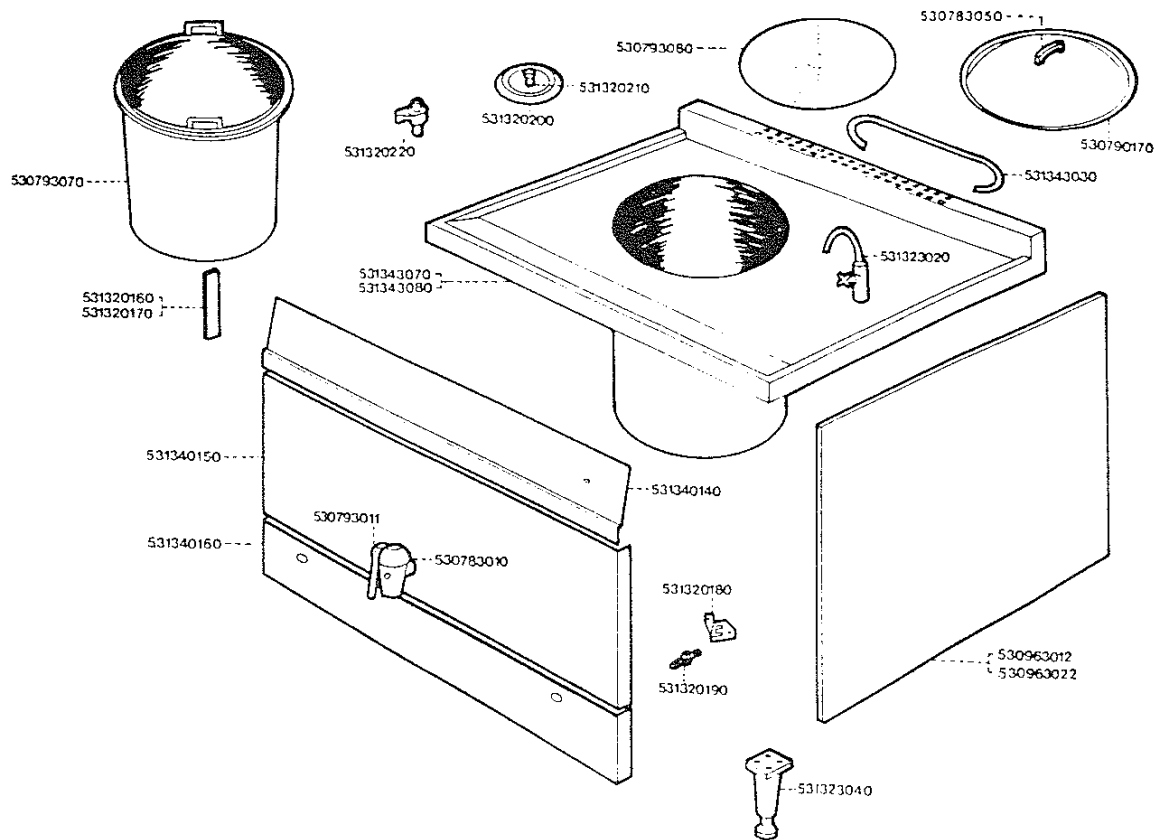
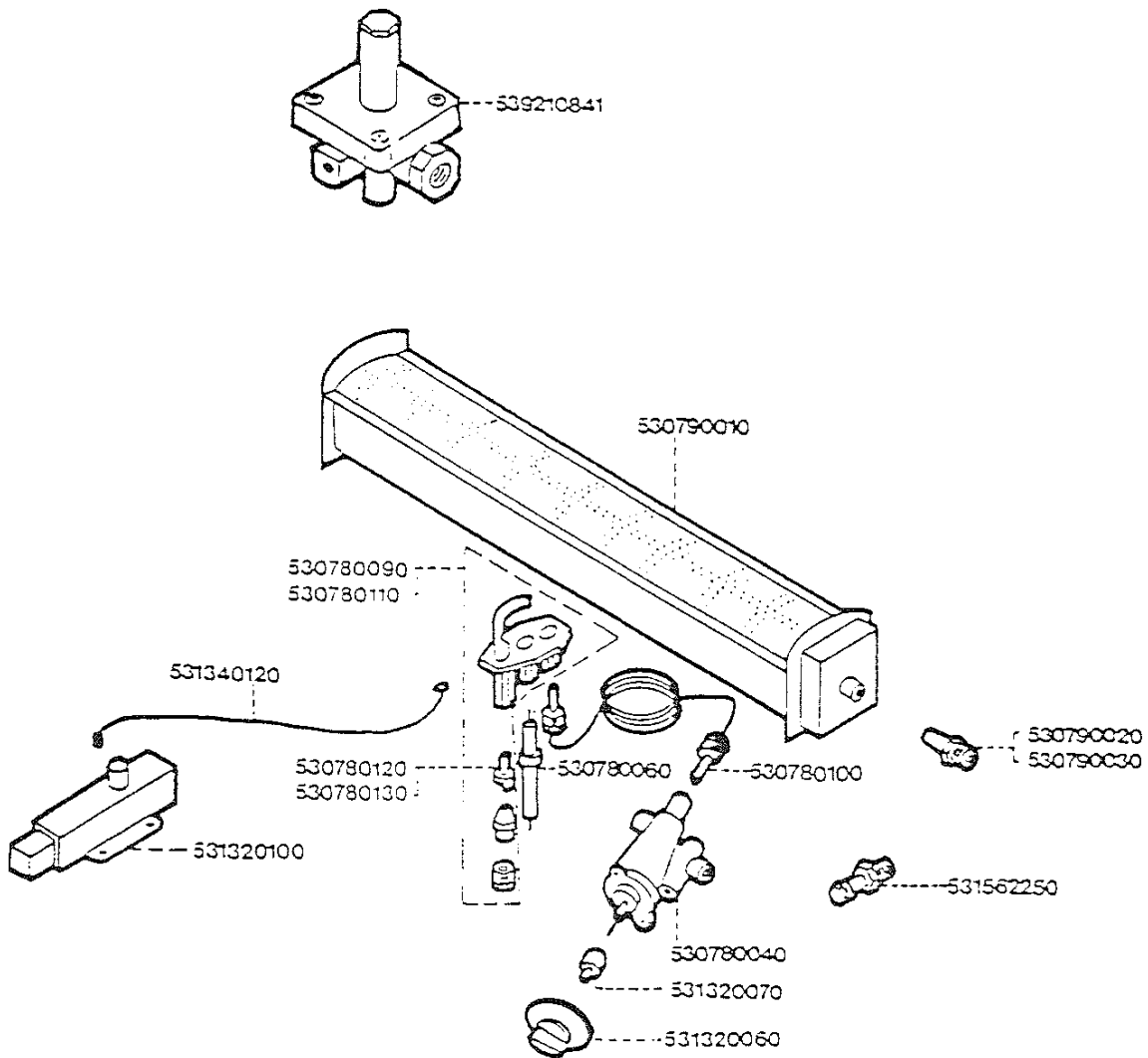


# G3080 90 LITRES BOILING PAN

# Fitments



Code	No.	Description
K09	530783010	Draw Off Cock
C07	530783050	Pan Lid Handle Assembly
J03	530790170	Pan Lid c/w Handle
D07	530793011	Draw Off Cock Handle
N09	530793070	Lift Out Pan (Dual Purpose Only)
H06	530793080	Strainer
G05	530963012	Outer Side Panel - L.H.
G05	531963022	Outer Side Panel - R.H.
D02	531320160	Side Trim - L.H.
D02	531320170	Side Trim - R.H.
B04	531320180	Latch
B04	531320190	Latch Pin
D01	531320200	Filler Cup Lid c/w Knob (Dual Purpose Only)
B04	531320210	Filler Cup Lid Knob (Dual Purpose Only)
B12	531320220	Pan Clamp (Dual Purpose Only)
J02	531323020	Swivel Tap
B09	531323040	Adjustable Leg
F11	531340140	Control Panel
F10	531340150	Front Panel
G01	531340160	Bottom Front Panel
F01	531343030	Lid Holder
P06	531343070	Pan and Hob Assembly (Dual Purpose)
P04	531343080	Pan and Hob Assembly (Single Purpose)



Code	No.	Description
H11	530780040	Control Valve
B03	530780060	Electrode
D03	530780090	Pilot Assembly - Nat. Gas
D02	530780100	Thermocouple
D03	530780110	Pilot Assembly - L.P. Gas
B01	530780120	Pilot Jet - Nat. Gas
B01	530780130	Pilot Jet - L.P. Gas
F03	530790010	Burner
B01	530790020	Burner Injector - Nat. Gas
B01	530790030	Burner Injector - L.P. Gas
B06	531320060	Control Knob
B02	531320070	Spindle Adaptor
D02	531320100	Spark Igniter
B03	531340120	Electrode Lead
B01	531562250	Test Nipple
E02	539210841	Governor