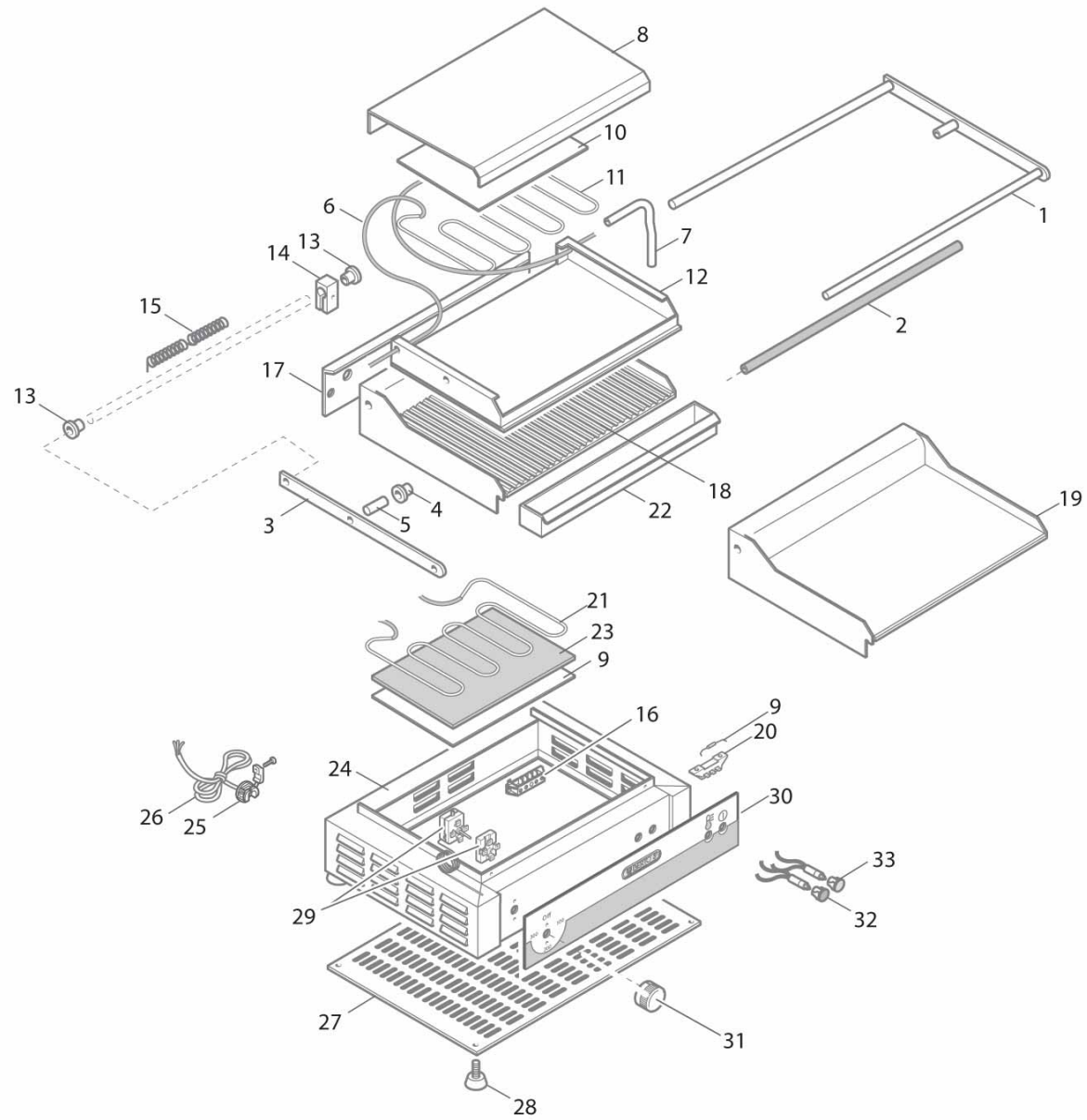




# PMR/ST





PMR/ST

Pos. Item	Codice Code	Descrizione	Item Description	Designation articles	Artikelbeschreibung	Decripción articulos	N° pezzi - No. pieces				
											PMR/ST
1	30876300	Ass. maniglia dx pm	Handle assembly rh pm	Po. complete droite pm	Kompletter griff pm	Conjunto asa dcha. pm					1
2	30875400	Manico moplen rosso pm	Red moplen pin pm	Ma. moplen rouge pm	Roter moplen griff pm	Asa moplen roja pm					1
3	30875700	Manico laterale ps/pm/pd zn	La. handle ps/pm/pd zn	Ma. latÉral ps/pm/pd zn	Seit. griff ps/pm/pd zn	Asa la. ps/pm/pd zn					1
4	30779900	Boccola zincata x piastre st/sx/vtr	Galvanised bushing	Douville galvanisÉe	Verzinkte buchse	Boquilla cincada					1
5	30908100	Perno laterale per piastra zn	Lateral pin	Pivot latÉral	Seitlicher bolzen	Perno lateral					2
6	30193400	Tu. vetrotex d.5 l.250 mm	Glass tube	Tube verre	Isolierend kleines rohr fuer	Tubo vidrio					2
7	30810100	Curvetta passafili dx ps/pm/pd	Rh angle conduit	Co. de protection cÂbles droite	R.gebogenes stÜck draht.	Codo para cables derecho					1
8	30804700	Coperchio pm st/vtr	Lid pm st/vtr	Cou. pm st/vtr	De. pm st/vtr	Tapa pm st/vtr					1
9	00000000	Ricambio mancante	Test	-----	-----	-----					-
9	30978100	Termofusibile 152°C - 15a	Thermofuse 152°C - 15a	Thermofusible 152°C - 15a	Thermoschmelzdraht 152°C - 15a	Termofusibile 152°C - 15a					1
10	30868700	Lastra protez. ferro media	Middle protective sheet	Pl. de protection moyenne	Einzelne schutzplatte	Placa de proteccion media					2
11	30024100	Res.sup.compl. 1000w-230v pm	1000sup.230vpl.1000w.230v pm	RÉsistance 1000 w - 230 v	Widerstand 1000 w - 230 v	Resistencia 1000 w - 230 v					1
12	30911100	Ass.piastra media super.rigata	Ass.piastra media super.rigata	Plaque supÉrieure rainurÉe	Geriefte obere platte	Placa superior estriada					1
13	30780200	Bo. zn con cava ps/pm/pd sx/st/vtr	Bushing with cavity	Douille creuse	Buchse mit nut	Boquilla ranurada					2
14	30779100	Blocco frizione ps/pm/pd st-vtr	Clutch blockage ps/pm/pd st-vtr	Blocage friction ps/pm/pd st-vtr	Blockung fuer kupplung	Bloqueo friccion					1
15	30613100	Molla pd/vtr	Spring pd/vtr	Ressort pd/vtr	Feder pd/vtr	Muelle pd/vtr					1
16	30183800	Morsettiera a 3 poli fv 110 b	Terminal board 3 poles	Bornier 3 poles	Klemmenleiste	Bornera 3 polos					1
17	30790300	Carter pm/st-vtr	Rear ca. pm/st-vtr	Ca. arriÉre pm/st-vtr	Hin. gehÄuse pm/st-vtr	Ca. posterior pm/st-vtr					1
18	30910700	Ass.piastra inferiore pmr/st	Lower plate pmr/st	Plaque infÉrieure pmr/st	Untere platte pmr/st	Placa inferior pmr/st					1
19	30910800	Ass.piastra inferiore pml/st	Lower plate pml/st	Plaque infÉrieure pml/st	Untere platte pml/st	Placa inferior pml/st					-
20	30184800	Morsettiera laterale fv 77/3	Lateral terminal board fv 77/3	Bornier latÉral fv 77/3	Sei. klemmenleiste fv 77/3	Bornera lateral fv 77/3					1
21	30024300	Res.inf.compl.1500w-230v pm	1500w.230vpl.1500w.230v pm	RÉsistance 1500 w - 230 v	Widerstand 1500 w - 230 v	Resistencia 1500 w - 230 v					1
22	30792000	Ass.cassetto racco. pm	Drip tray pm	Bac recueille-sauces pm	Sauceauffangschalen pm	Caşcasetto raccogehjato pm					1
23	30921900	Qua. isomart 320x170x4 pm...pd/vtr	Isomart panel 320x170x4	Ta. isomart 320x170x4	Tafel isomart 320x170x4	Panel isomart 320x170x4					1
24	30863500	Ass.involucro base pm/ld-vtr-st-sx	Base enc. pm/ld-vtr-st-sx	Couv. base pm/ld-vtr-st-sx	HÜlle basis pm/ld-vtr-st-sx	Env. base para vtr-st-sx					1
25	30185400	Passacavo pa 277 i.m.q.	Cable guide	Passe-cÂble	KabelfÜhrung	Aislador pasapanel					1
26	30192400	Cavo 3x1.5 ps/pm	Power su. cable 3 x 1,5mm	Cable d'alim. 3 x 1,5mm	Versorg. 3 x 1,5mm	Cable de alime. 3x1,5 mm.					1
27	30838200	Fondo per pm/ld-st-vtr	Bo. pm/ld-st-vtr	Fond pm/ld-st-vtr	Bodenplatte pm/ld-st-vtr	Fondo per pm/ld-st-vtr			fondo pm/ld-st-vtr		1
28	30684100	Piedi. d.30xm8condado basso h.6mm	Foot h.6mm	Pied h.6mm	Fuss h.6mm	Pata h.6mm					4
29	30064600	Termostato 270°C. + commutatore	270°C thermostat + cycle selector	Ther. 270°C + commutateur de cycle	Ther. 270°C + umschalter zyklus	Termostato 270°C + conmutador					1
30	30899400	Pan. piastra media berto's	Berto's adhesive panel	Panneau adhÉsif berto's	Haftendes paneel berto's	Panel adhesivo berto's					1
31	35877200	Man. rossa p. 6x4.6 a o° ral3000	Red knob p. 6x4.6 a o° ral3000	Ma. rouge p. 6x4.6 a o° ral3000	Drehknopf p. 6x4.6 a o° ral3000	Mando rojo p. 6x4.6 a o° ral3000					1
31	35876200	Manopola rossa p. 6x4.6 a o°	Red knob 6x4.6 o° c	Manette rouge 6x4.6 o° c	Drehknopf 6x4.6 o° c	Mando rojo 6x4.6 o° c					1
32	30168500	Spia arancio 230v d.10mmt150Ø	Orange lamp 230v	Temoin lumineux orange 230v	Orange kontrollampe 230v	Piloto naranja 230v					1
33	30168800	Spia verde 230v d.10mmt150Ø	Green lamp 230v	Temoin lumineux vert 230v	Grune kontrollampe 230v	Piloto verde 230v					1