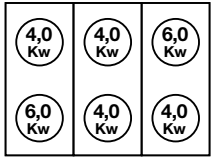
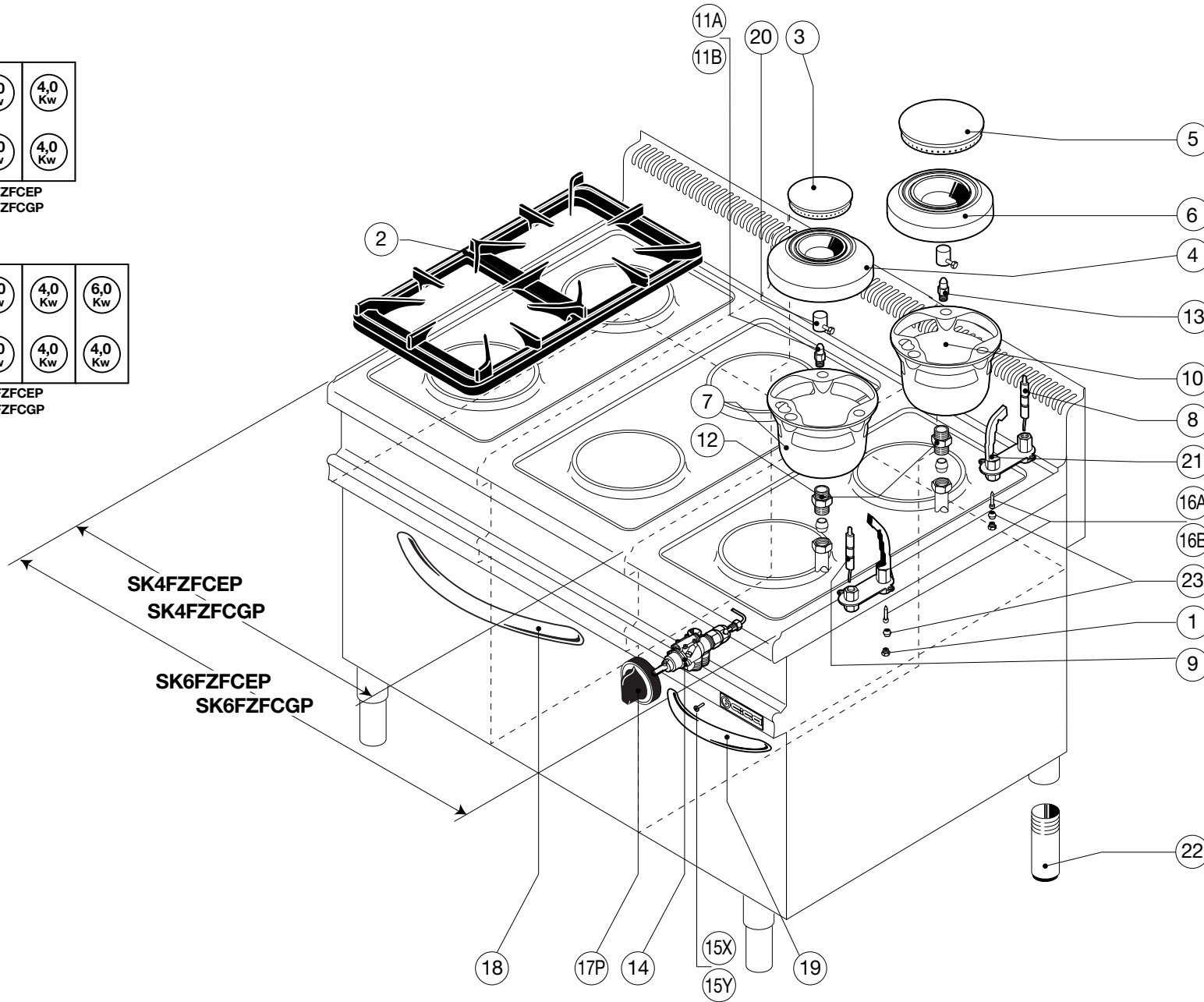


SK4FZFCEP
SK4FZFCGP



SK6FZFCEP
SK6FZFCGP



SK4FZFCEP
SK4FZFCGP

SK6FZFCEP
SK6FZFCGP

A = GPL / LP gas / Gaz liquide / Flüssiggas
B = Gas metano / Natural gas / Gaz naturel / Erdgas



N.B.: La tavola si completa con la successiva n° - See table No. - Voir tableau n° - Wichtig: S. folgender Plan Nr.

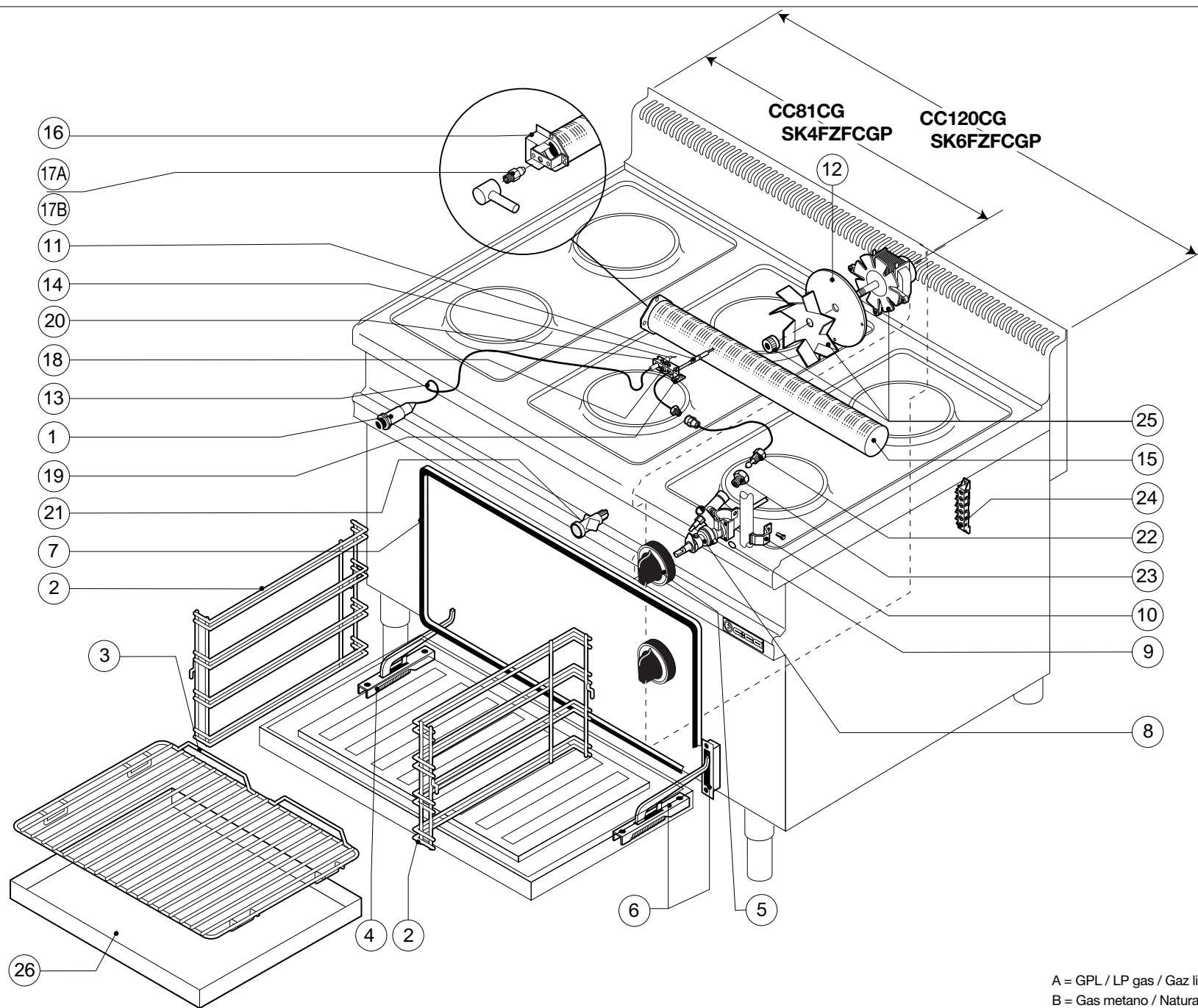
•3E07-006
SK4FZFCGP
SK6FZFCGP

•3E07-007
SK4FZFCEP
SK6FZFCEP

3E07-005

SK4FZFCEP
SK4FZFCGP
SK6FZFCEP
SK6FZFCGP

Pezzi/Pieces Pieces/Anzahl		Pos.	Validità dalla matricola Validité du numéro matricule Validity from serial number Gültigkeit ab der (Seriennummer)	Validità alla matricola Validity up to serial number Validité au numéro matricule Gültigkeit bis zur (Seriennummer)	Codice Code Artikel Nummer	Descrizione	Description	Description	Beschreibung
SK4ZFZFCGP SK4ZFZCEP	SK6FZFCGP SK6FZCEP								
4	6	1			X13200	Dado fissaggio iniettore	Injector fastening nut	Ecrou de fixation injecteur	Befestigungsmutter Einspritzung
2	3	2			1550Y63000	Griglia	Grid	Grille	Rost
3	4	3			V00300	Spartifiamma 4,0 kW	Flame spreader 4,0 kW	Diffuseur de flamme 4,0 kW	Flammenverteiler 4,0 kW
3	4	4			V00100	Corpo bruciatore 4,0 kW	Burner body 4,0 kW	Corps bruleur 4,0 kW	Brennerkörper 4,0 kW
1	2	5			V00400	Spartifiamma 6 kW	Flame spreader 6 kW	Diffuseur de flamme 6 kW	Flammenverteiler 6 kW
1	2	6			V00200	Corpo bruciatore 6 kW	Burner body 6 kW	Corps bruleur 6 kW	Brennerkörper 6 kW
3	4	7			V01800	Coppa bruciatore 4,0 kW	Scoop burner 4,0 kW	Godet bruleur 4,0 kW	Brennerschale 4,0 kW
2	3	8			X13300	Termocoppia fuoco poster.	Rear ring thermocouple	Thermocouple feu poster.	Thermoem. Hintere kochst.
2	3	9			X14200	Termocoppia fuoco anter.	Front ring thermocouple	Thermocouple feu anter.	Thermoel. Vordere kochst.
1	2	10			V01900	Coppa bruciatore 6 kW	Cup burner 6 kW	Coupelle bruler 6 kW	Brennerkappe 6 kW
3	4	11A			X33700	Iniettore gpl fuoco 4,0 kw	Ring lpg injector 4,0 kw	Injecteur gaz feu 4,0 kw	Gasdüse gpl kochst 4,0 kw
3	4	11B			X34600	Iniettore metano fuoco 4,0 kW	Ring natural gas inject. 4,0 kW	Injecteur methane feu 4,0 kW	Gasdüse methan kochst. 4,0 kW
4	6	12			V01100	Porta iniettore	Injector-holder	Porte-injecteur	Düsenträger
1	2	13A			X34200	Iniettore 6,0 kW /GPL	LPG injector 6,0 kW	Injecteur gaz GPL 6,0 kW	Gasdüse GPL 6,0 kW
1	2	13B			X35400	Iniettore 6,0 kW/metano	Natural gas injector 6,0 kW	Injecteur gaz methane 6,0 kW	Gasdüse Methan 6,0 KW
4	6	14			X08100	Rubinetto fuoco 6,0 kW	Gas ring cock 6,0 kW	Robinet feu 6,0 kW	Gashan kochstelle 6,0 kW
3	4	15X			X11000	By Pass 4,0 KW	By Pass 4,0 KW	By Pass 4,0 KW	By Pass 4,0 KW
1	2	15Y			x04800	By Pass 6 KW	By Pass 6 KW	By Pass 6 KW	By Pass 6 KW
4	6	16A			X30000	Iniettore pilota/GPL	LPG injector	Injecteur gaz GPL	Gasdüse GPL
4	6	16B			x30100	Iniettore pilota/metano	Natural gas injector	Injecteur gaz methane	Gasdüse Methan
4	6	17P			0000Y65103	Manopola per fuoco	Gas ring knob	Cle de commande pour feu	Drehknopf für kochstelle
1	1	18			Y65700	Maniglia forno	Oven handle	Poignée four	Backofengriff
	1	19			Y65500	Maniglia porta	Door handle	Pognée four	Turgriff
4	6	20			V01500	Regolazione aria bruciatore	Burner air regulation	Règlage air bruler	Luftregelung Brenner
4	6	21			X14400	Pilota	Pilot	Veilleuse d'allumage	Zündflammenbrenner
4	4	22			X61000	Piedino	Foot	Pied	Fuss
4	6	23			X13100	Bicono	Front ring thermocouple	Thermocouple feu anter.	Termoel. Vordere kochst



A = GPL / LP gas / Gaz liquide / Flüssiggas
 B = Gas metano / Natural gas / Gaz naturel / Erdgas

N.B.: La tavola si completa con la successiva n° - See table No. - Voir tableau n° - Wichtig: S. folgender Plan Nr.

•3E07-030
 CC81CG
 CC120CG

•3E07-005
 SK4FZFCGP
 SK6FZFCGP

3E07-006

CC81CG
 CC120CG
 SK4FZFCGP
 SK6FZFCGP

Pezzi/Pieces Pieces/Anzahl	Pos.	Validità dalla matricola Validité du numéro matricule Validity from serial number Gültigkeit ab der (Seriennummer)	Validità alla matricola Validity up to serial number Validité au numéro matricule Gültigkeit bis zur (Seriennummer)	Codice Code Artikel Nummer	Descrizione	Description	Description	Beschreibung
CC120CG CC81CG SK4FZFCGP SK6FZFCGP								
1	1			M02100	Piezo elettrico	Piezo-electric ignition	Piezo électrique	Piezoelektrischer Zünder
2	2			V05900	Reggigriglia sx/dx	R.H./L.H. Grid support	Appui grille gauche/droite	Rostauflageschiene L.R.
1	3			G11PF	Griglia	Grid	Grille	Rost
1	4			X66100	Cerniera sx	L. H. Hinge	Charniere gauche	Scharnier Links
1	5			0000Y65009	Manopola per forno	Oven knob	Cle de commande pour four	Drehknopf für Ofen
1	6			X66000	Cerniera dx	R. H. Hinge	Charniere droite	Scharnier Rechts
1	7			1000X05600	Guarnizione porta	Door seal	Joint porte	Türdichtung
1	8			X16000	Rubinetto gas	Gas cock	Robinet gaz	Gashahn
1	9			X07000	Or	Or	Or	Or
1	10			X07400	Staffa fissaggio rubinetto	Tap fixing bracket	Support fixation du robinet	Hahnbefestigungsbügel
1	11			X13900	Termocoppia	Thermocouple	Thermocouple	Thermoelement
1	12			V05400	Isolamento	Insulation	Isolation	Isolierung
1	13			X59500	Cavo alta tensione	H.T. cable	Cable H.T.	Hochspannungsk.
1	14			X14600	Candeletta	Ignition plug	Bougie	Glühkerze
1	15			V06400	Brucciato	Burner	Bruleur	Brenner
1	16			V09600	Regolazione aria	Air regulator	Réglage d'air	Luftregler
1	17A			Y30000	Iniettore GPL	LPG/pilot injector	Injecteur veilleuse/GPL	Gasduse GPL Ofen
1	17B			Y30700	Iniettore Metano	Natural gas/pilot injector	Injecteur veilleuse/méthane	Gasduse Methanpilot
1	18			X19903	Staffa con attacco	Bracket with fixture	E'trier avec fixation	Bügel mit Aufhängung
1	19			X19902	Staffa semplice	Simple bracker	E'trier simple	Einfacher Bügel
1	20			X19904	Vite per staffa	Screw for bracket	Vis pour bride	Schrauben für Halterung
1	21			X50900	Lampada verde	Green light	Lampe vert	Grüne Kontrollampe
1	22			X19400	Prolunga termocoppia	Thermocouple extension	Rallonge thermocouple	Verlängerung Thermoelement
1	23			5730201	Raccordo forato termocoppia	Drilled coupling for thermocouple	Raccord perforé pour thermocouple	Gelochtes Anschlussstück für Therm.
1	24			X59200	Morsettiera	Terminal board	Barrette de raccordement	Klemmleiste
1	25			V03000	Motoventilatore	Electric fan	Moto-ventilateur	Motorventilator
1	26			V05700	Suola forno	Oven floor	Sole four	Boden fen