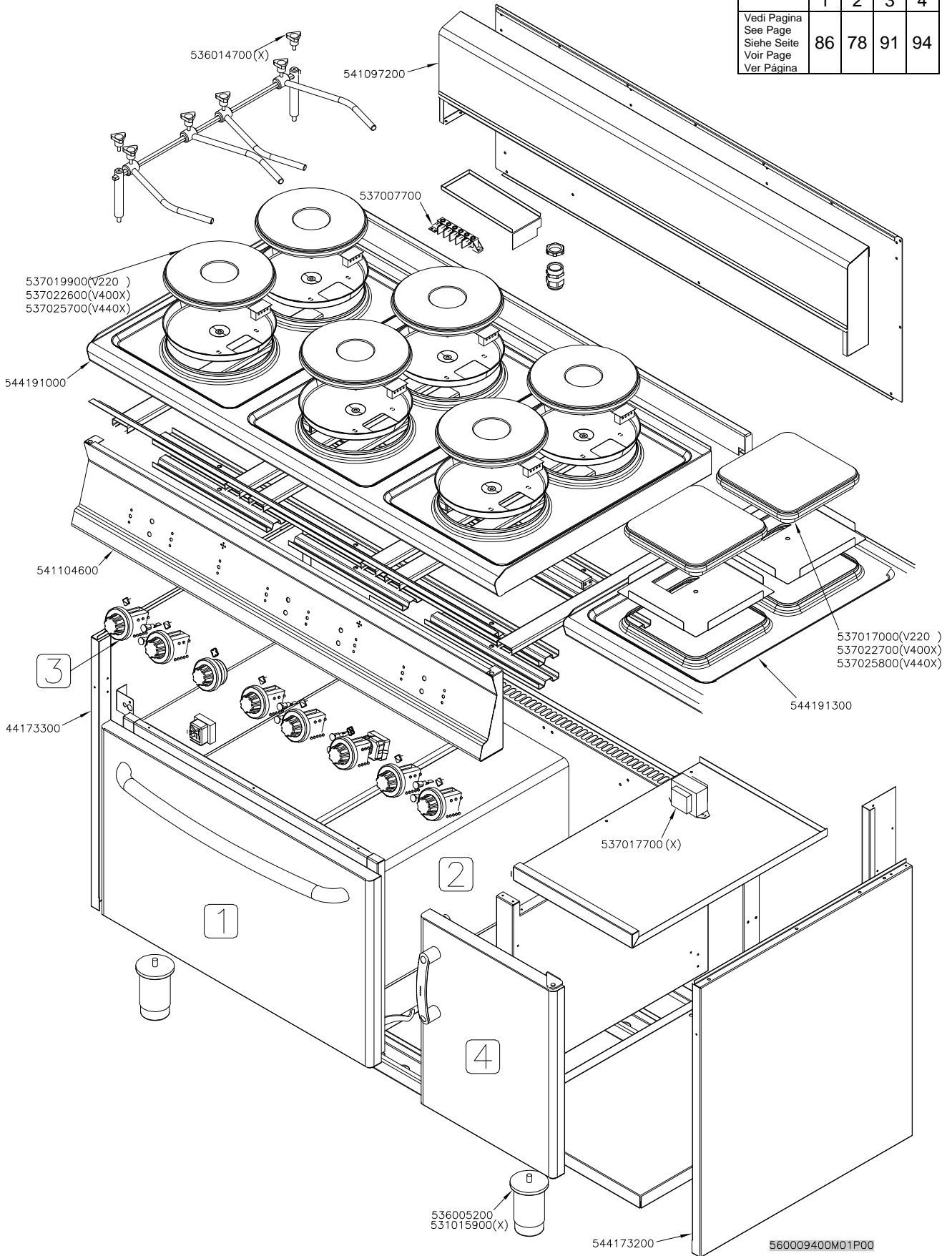


SUPERLOTUS 70x0601
CUCINE / RANGES / HERDE / CUISINIÈRES
 CF...6-712

CF6-712ETV CFQ6-712ETV CF6-712ETVX CFQ6-712ETVX

	1	2	3	4
Vedi Pagina See Page Siehe Seite Voir Page Ver Pàgina	86	78	91	94



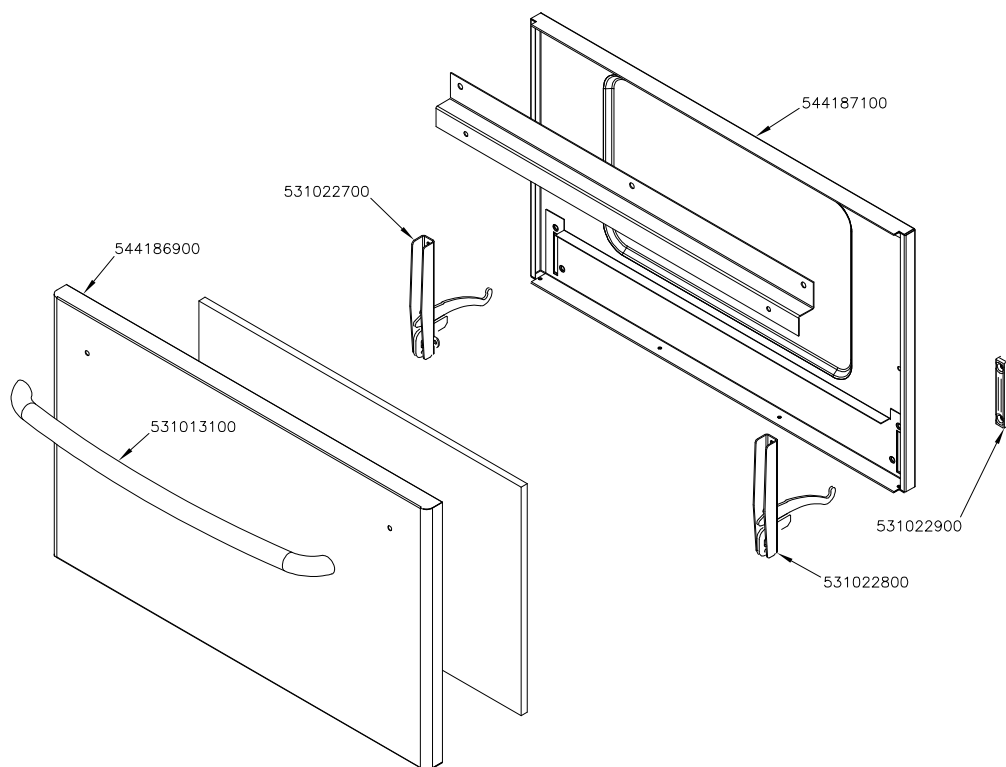
SUPERLOTUS 70≤0601

CUCINE / RANGES / HERDE / CUISINIÈRES

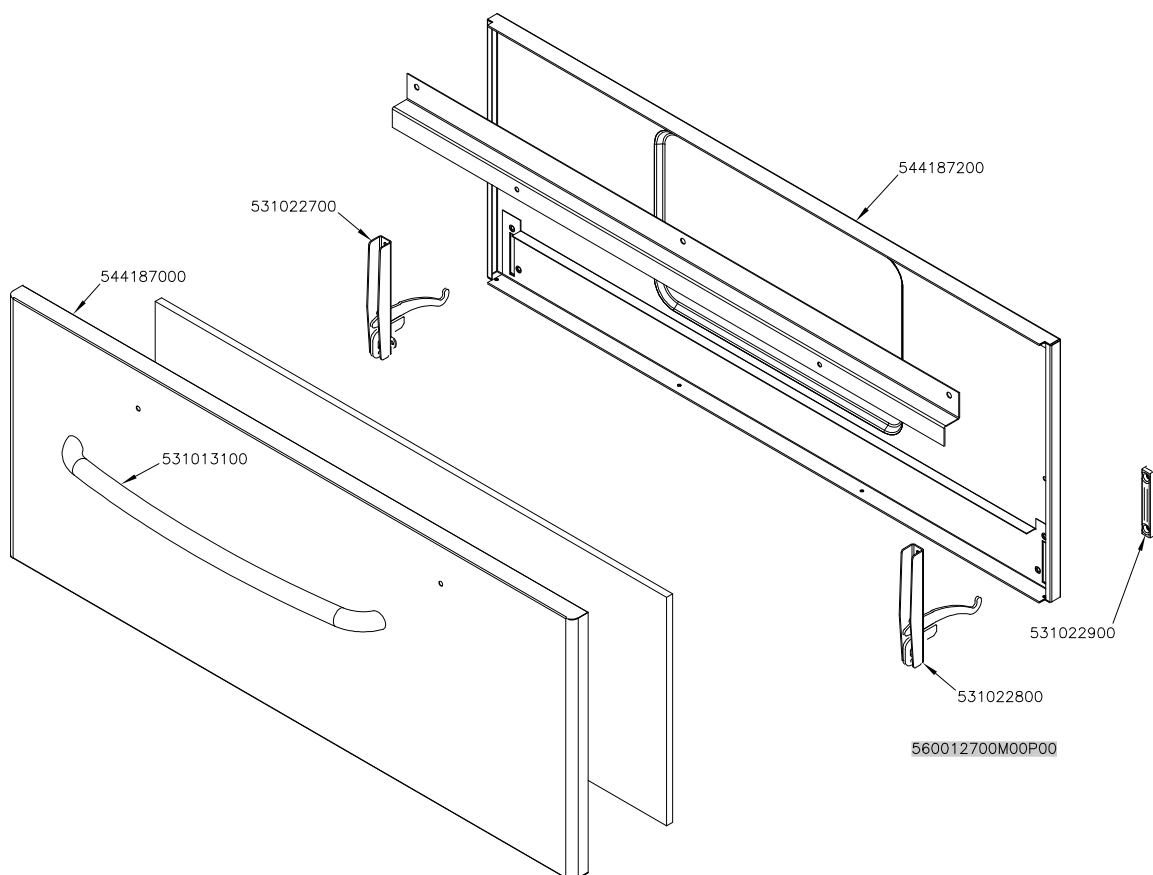
FORNO / OVEN / BACKOFEN / FOUR

PORTE / DOORS / TÜREN / PORTES

GN 2/1



GN 3/1

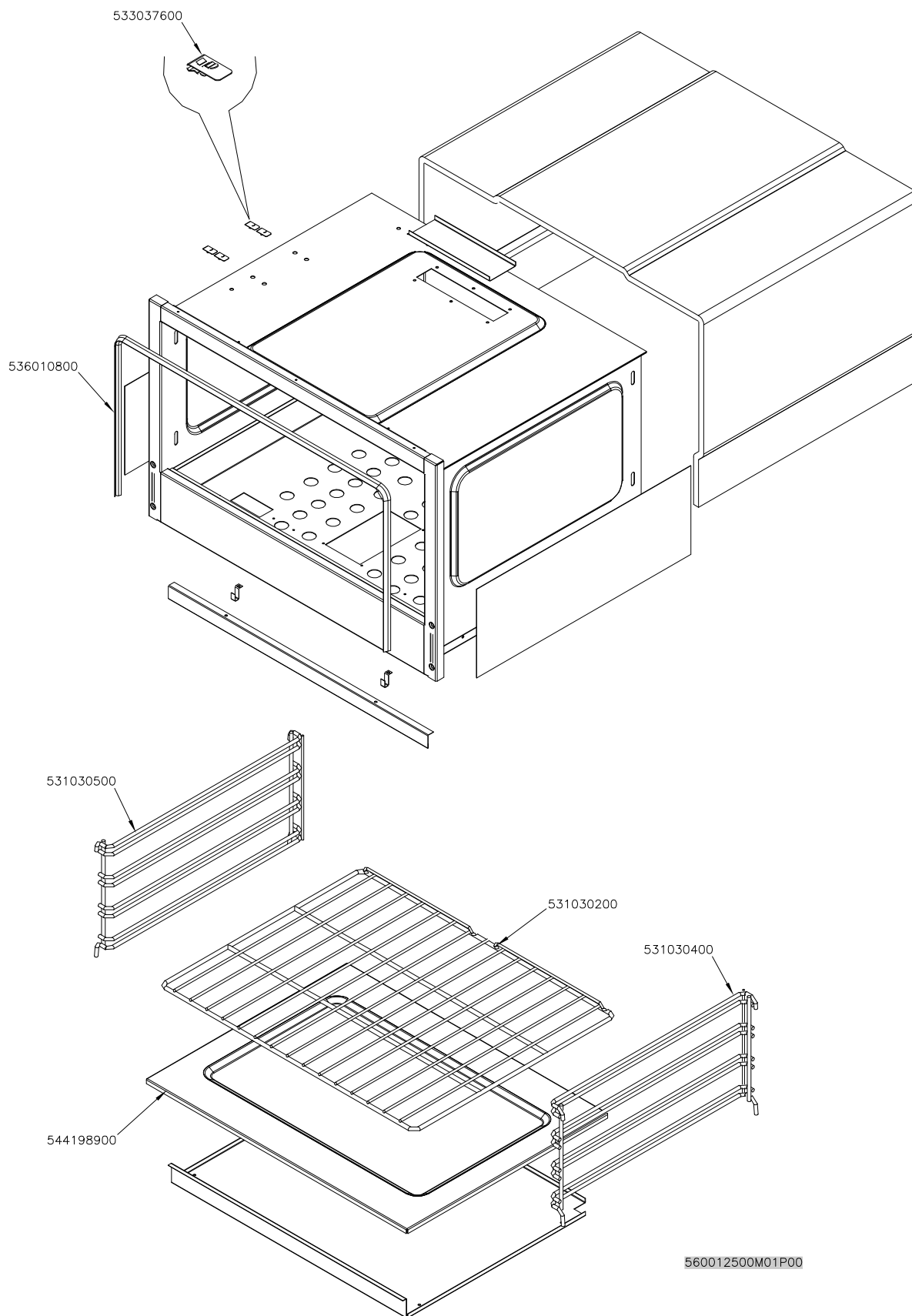


SUPERLOTUS 70₂0601

CUCINE / RANGES / HERDE / CUISINIÈRES

FORNO / OVEN / BACKOFEN / FOUR

ELETTRICO / ELECTRICAL / ELEKTRO / ELECTRIQUE / GN 2/1

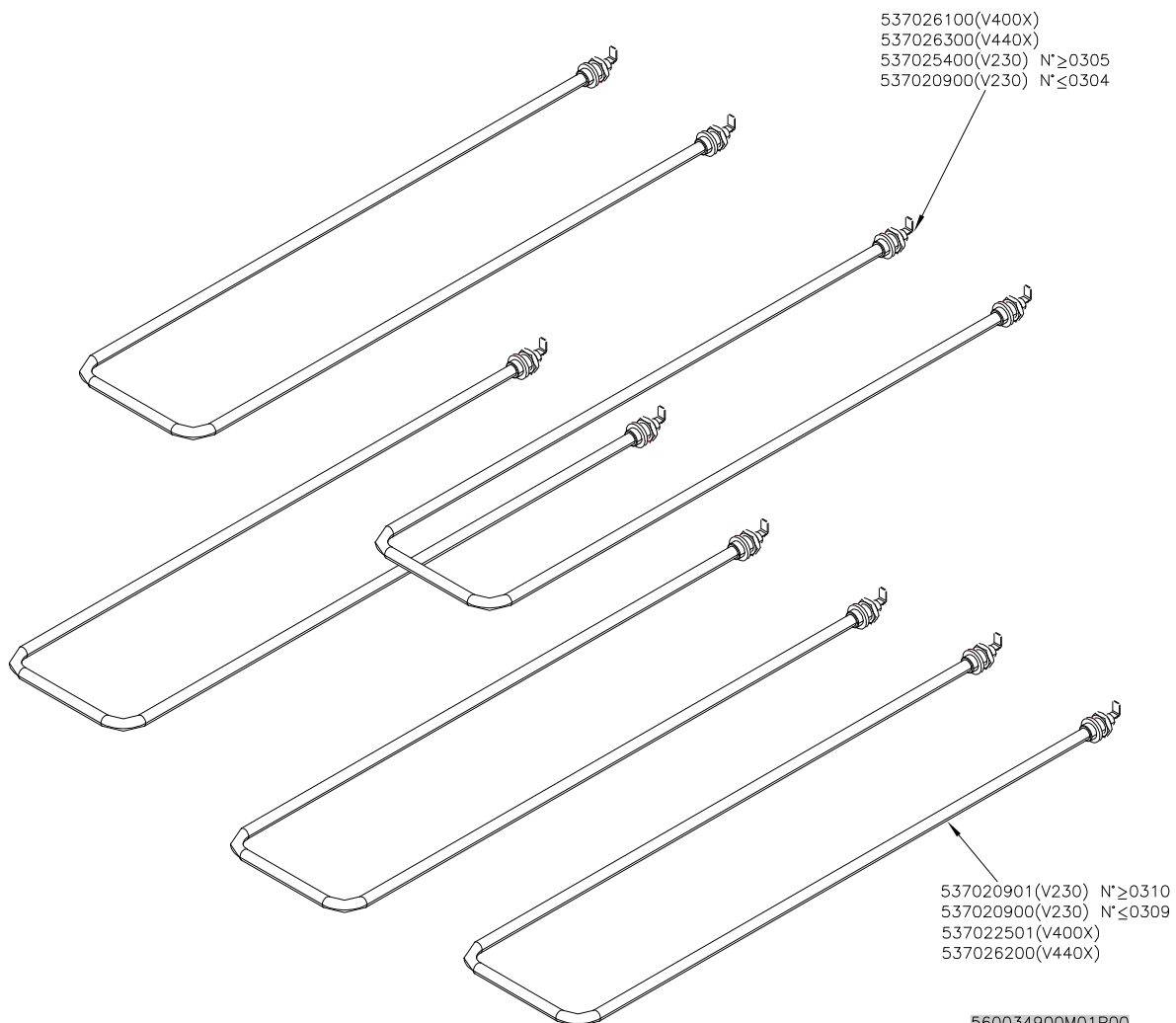
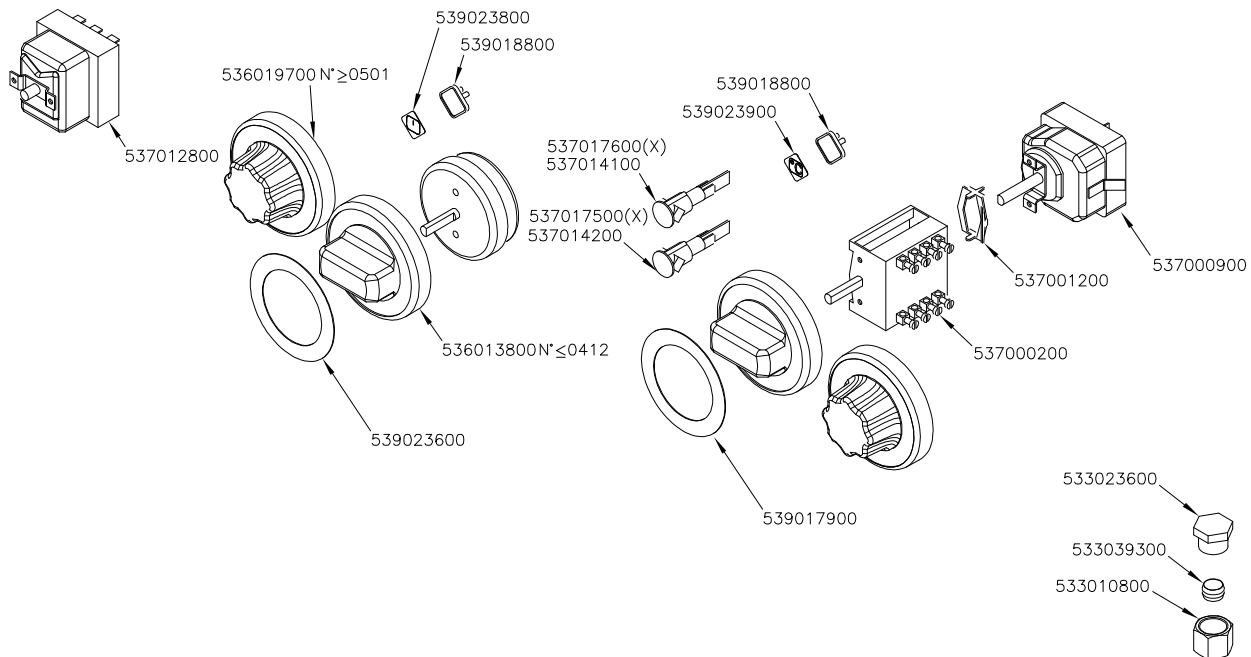


SUPERLOTUS 70≤0601

CUCINE / RANGES / HERDE / CUISINIÈRES

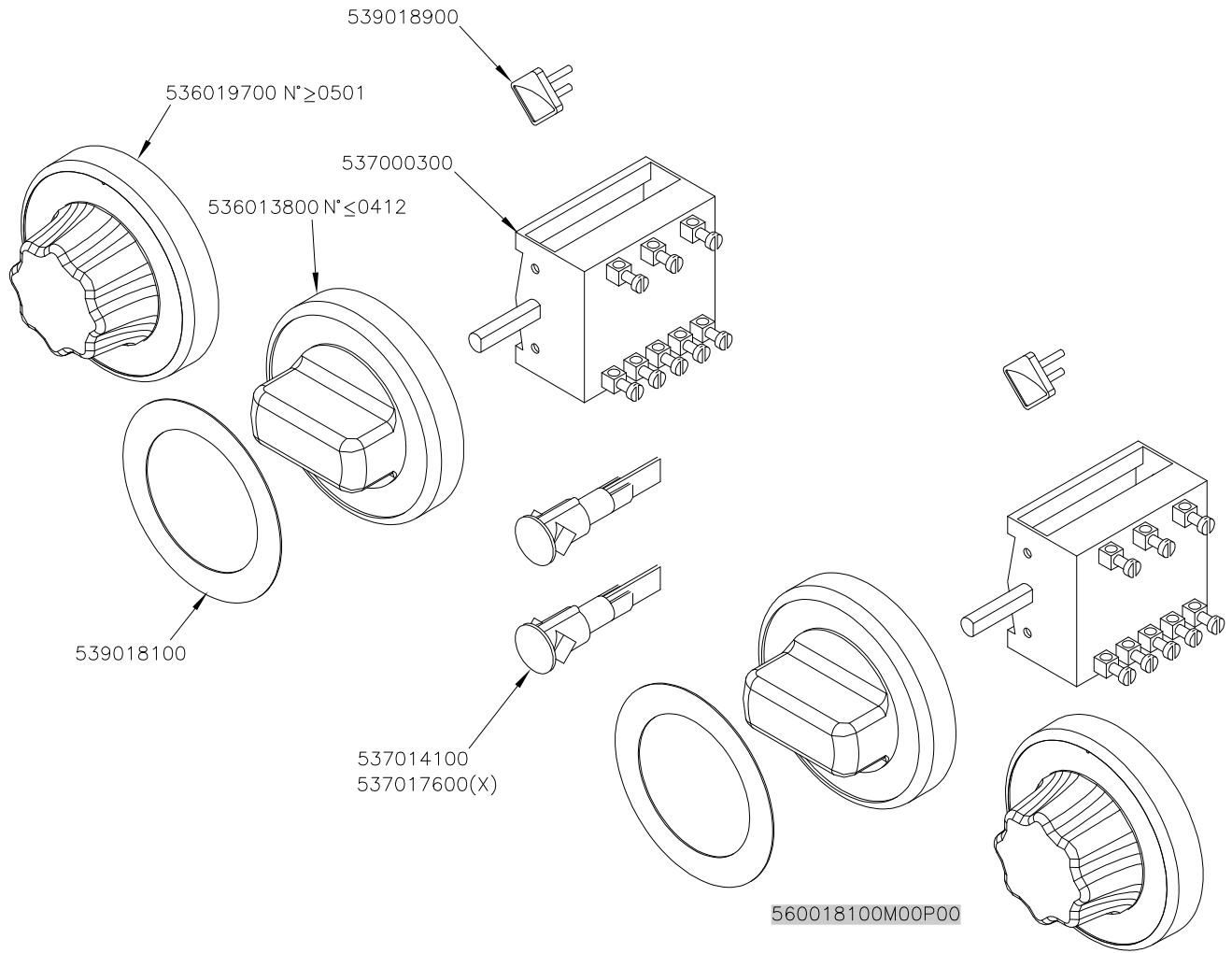
FORNO / OVEN / BACKOFEN / FOUR

ELETTRICO / ELECTRICAL / ELEKTRO / ELECTRIQUE / GN 2/1

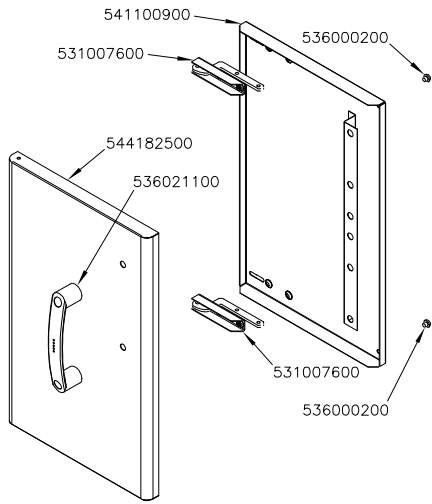


560034900M01P00

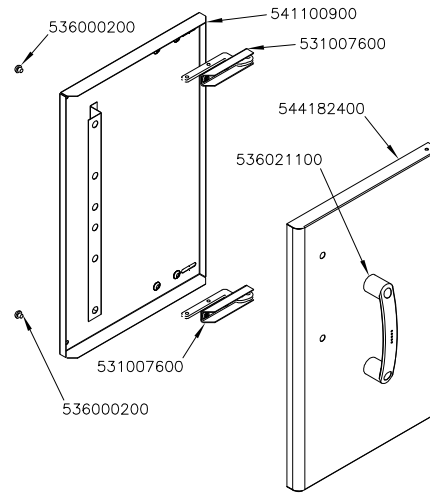
PC-E CF-E



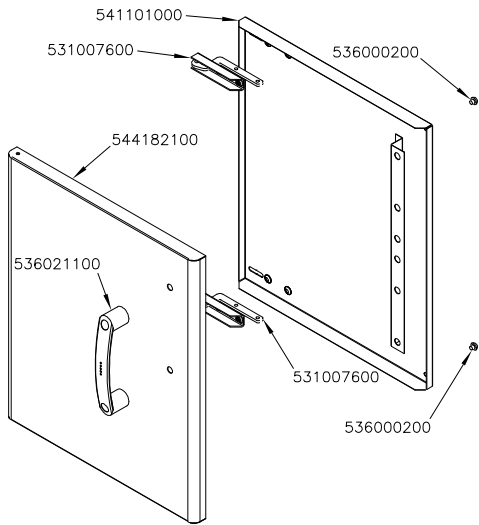
PORTE / DOORS / FLÜGELÜREN / PORTES



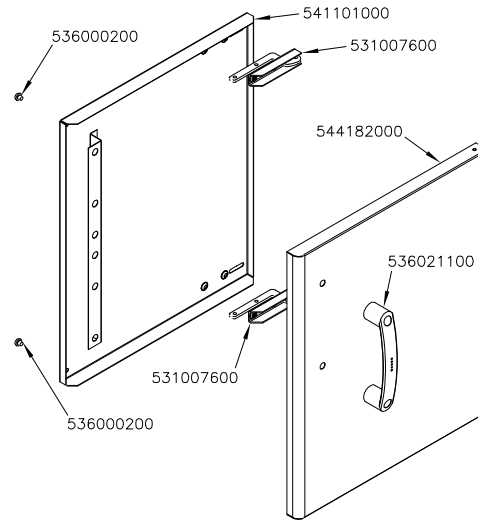
P-73/93 SX



P-73/93 DX

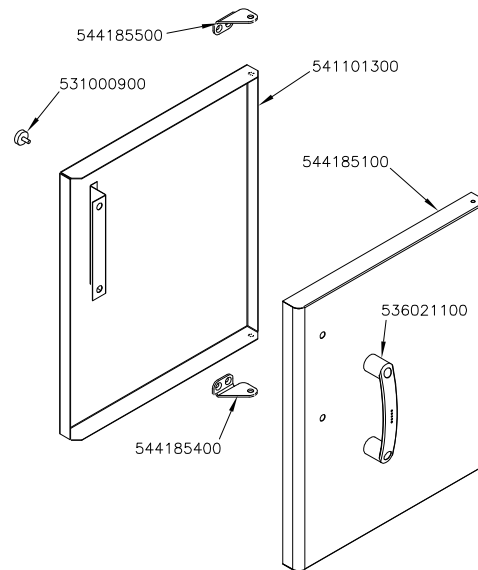


P-74/94 SX



P-74/94 DX

560012800M00P00



P-74/94 DX CF

Page	Pos	Code	Description
001		536014700	3 DRILL WHEELS
001		541097200	NEUTRAL SPACER 712
001		537007700	TERMINAL BLOCK THREEPHASE 40A
001		537019900	PLATE D.220 W2600 V230
001		537022600	ELECTRICAL PLATE D.220 W2600 V400
001		537025700	ELECTRICAL PLATE D.220 W2600 V440
001		544191000	UPPER PLATE PC-712E ROUND PLATE
001		541104600	CONTROL PANEL CF6-712EV
001		544173300	LEFT SIDE PANEL RANGE S.70
001		531015900	ADJUSTABLE LEG 2"
001		544173200	RIGHT SIDE PANEL RANGE S.70
001		537017700	TRANSFORMER 440V/100V 10VA
001		544191300	UPPER PLATE PC-712E SQUARE PLATE
001		537017000	PLATE 220X220 W2600 V230
001		537022700	ELECTRICAL PLATE 220X220 W2600 V400
001		537025800	PLATE 220X220 W2600 V440
002		531022700	RIGHT OVEN DOOR HINGE 70LINE
002		544186900	OVEN DOOR GN 2/1 S.70
002		531013100	OVEN DOOR HANDLE OF 70/90-LINE
002		531022800	LEFT OVEN DOOR HINGE S.70
002		531022900	HINGE DOOR WHEEL HOLDER S.70
002		544187100	OVEN INNER DOOR GN 2/1 S.70
003		533037600	LOCK SPRING FOR BULB
003		536010800	OVEN GASKET GN 2/1 (1261)
003		531030500	LHD SUPPORT GRID FOR OVEN OF 70LINE
003		544198900	70 ELECTRICAL OVEN BOTTOM GN2/1
003		531030200	OVEN GRID GN 2/1 FOR 70 LINE
003		531030400	RHD SUPPORT GRID FOR OVEN OF 70LINE
004		536019700	BLACK KNOB §70 PIN §6*5
004		537012800	SAFETY THERMOSTAT 420°C THREEPHASE
004		539023800	SIGN PLATE FOR OVEN TIMER
004		539018800	INDEX FOR OVEN KNOB
004		539023900	SIGN PLATE FOR OVEN TEMPERATURE
004		537014100	WHITE WARNING LIGHT 250V
004		537014200	GREEN WARNING LIGHT 250V
004		536013800	KNOB D.70 BLACK 6*5 WITH SPRING
004		539023600	ADHESIVE GRADUATED DISC FOR KNOB
004		539017900	ADHESIVE GRADUATED DISC FOR KNOB
004		537001200	FIXING BRACKET FOR THERMOSTAT/COMM.
004		537000900	THERMOSTAT 50-320°C THREEPHASE
004		537000200	COMMUTATOR 1 POS. 3PHASE S.49 16A
004		533023600	TAP PLUG §10 M16*1, 5CH19
004		533039300	BICONE §10
004		533010800	TUBE NUT D.10 M16*1,5
004		537026100	70 OVEN UPPER HEATING EL. W700 V400
004		537026300	70 OVEN UPPER HEATING EL.W700 V440
004		537025400	OVEN UPPER HEAT.EL.W700 V230 70LINE
004		537020900	HEATING ELEMENT 1000W 230V OVEN S70
004		537020901	HEATING ELEMENT 1200W 230V OVEN S70
004		537022501	70 OVEN HEATING ELEMENT W1200 V400
004		537026200	70 OVEN LOWER HEATING EL.W1200 V440

Page	Pos	Code	Description
005		539018900	INDEX FOR KNOB
005		536019700	BLACK KNOB §70 PIN §6*5
005		537000300	COMMUTATOR 7 POSITIONS S.49 16A
005		536013800	KNOB D.70 BLACK 6*5 WITH SPRING
005		539018100	ADHESIVE GRADUATED DISC FOR KNOB
005		537017600	WHITE WARNING LIGHT LOW BUD 110V
006		541100900	INNER DOOR 73
006		531007600	DOOR HINGE
006		536000200	D.12 H.4 BUMPER
006		544182500	RIGHT DOOR 73
006		536021100	BLACK HANDLE 70LINE + 2RED POINTS
006		531007000	OVEN GLASS DOOR HANDLE CF-8/10
006		544182400	RIGHT DOOR 73
006		541101000	INNER DOOR 74
006		544182000	RIGHT DOOR 74
006		544182100	LEFT DOOR 74
006		544185500	UPPER DOOR HINGE FOR COMPARTME CF70
006		531000900	MAGNET §22 KG.3 WITH DISK
006		541101300	RIGHT INNER DOOR 74 CF
006		544185100	RIGHT DOOR 74
006		544185400	LOWER DOOR HINGE FOR COMPARTME CF70