

## Multifunktionszubereiter

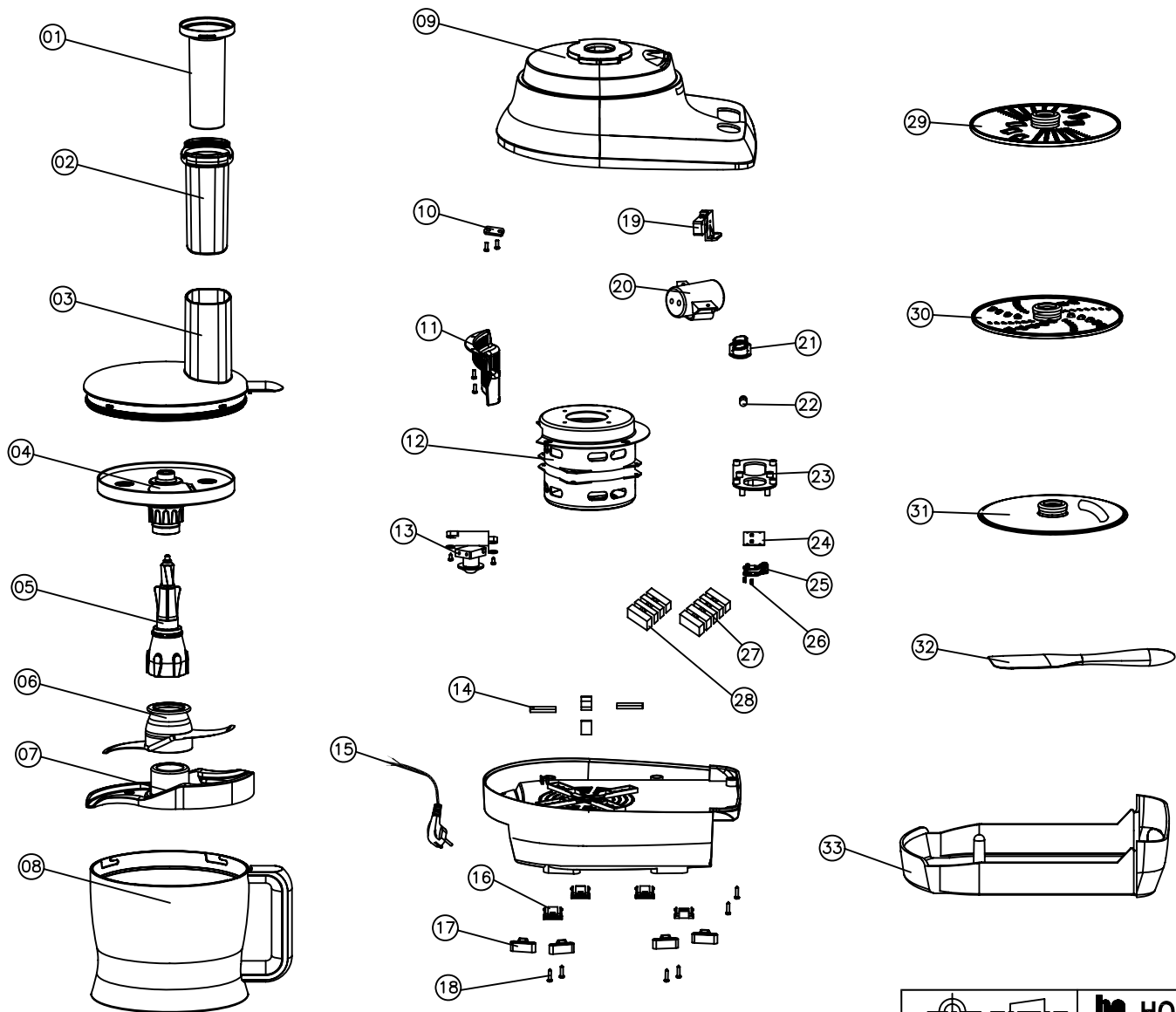
Artikel-Nr. 472001 (40965)

---

### Explosionszeichnung / Ersatzteile

---

Bitte bei Ersatzteilbestellung immer Seriennummer mit angeben!



- 33 Tray
- 32 Spátula
- 31 Julienne Disc
- 30 Shredding Disc
- 29 Grating Disc
- 28 Terminal Block B
- 27 Terminal Block A
- 26 Spring
- 25 Switch Lever
- 24 PCB
- 23 Switch Frame
- 22 Indicator Lamp
- 21 Button
- 20 Motor Running Capacitor
- 19 Safety Switch
- 18 Screw
- 17 Rubber Feet
- 16 Drawer Support
- 15 Power Cord Set
- 14 Motor Pumper
- 13 Relay
- 12 Motor
- 11 Cord Storage Partion
- 10 Cord Clamp
- 09 Upper Enclosure
- 08 Bowl
- 07 Blister
- 06 Chopping Blade
- 05 Driven Shaft
- 04 Adjustable Slicing Blade
- 03 Lid
- 02 Pusher
- 01 Inner Pusher

Spare parts Order

	<b>HOP SHING METAL &amp; PLASTIC MFY.LTD.</b>		MATL:
SCALE: 1 : 1	TITLE : <b>FOOD PROCESSOR</b>	PART NAME : EXPLODED DIAGRAM	<b>TOLERANCE TABLE</b> 0.00 - 10.00 ±0.05 10.01 - 50.00 ±0.10 50.01 - 100.00 ±0.15 OVER 100.01 ±0.20 DO NOT SCALE THE DRAWING ALL DIMENSIONS IN mm
APP BY: Calvin 2005.8.03	DWN BY: JUN 2005,6,22	MODEL NO: CH-268	
SIZE: A1	QTY/SET: 1	DWG NO: EXP268000-001000	MOLD NO: