

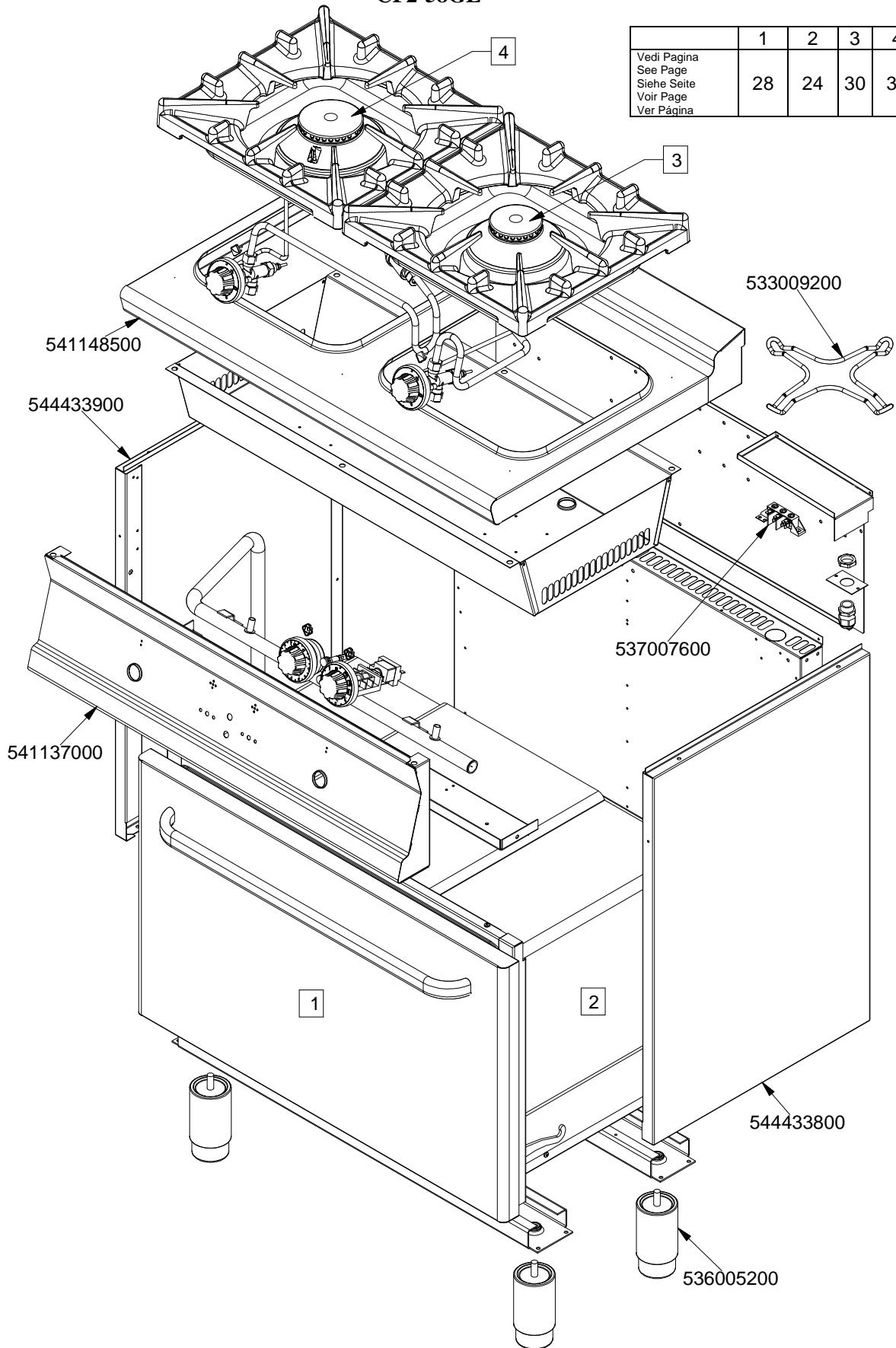
PLUSNACK 55

CUCINE / RANGES / HERDE / CUISINIÈRES

CF

CF2-58GE

	1	2	3	4
Vedi Pagina See Page Siehe Seite Voir Page Ver Pagina	28	24	30	31



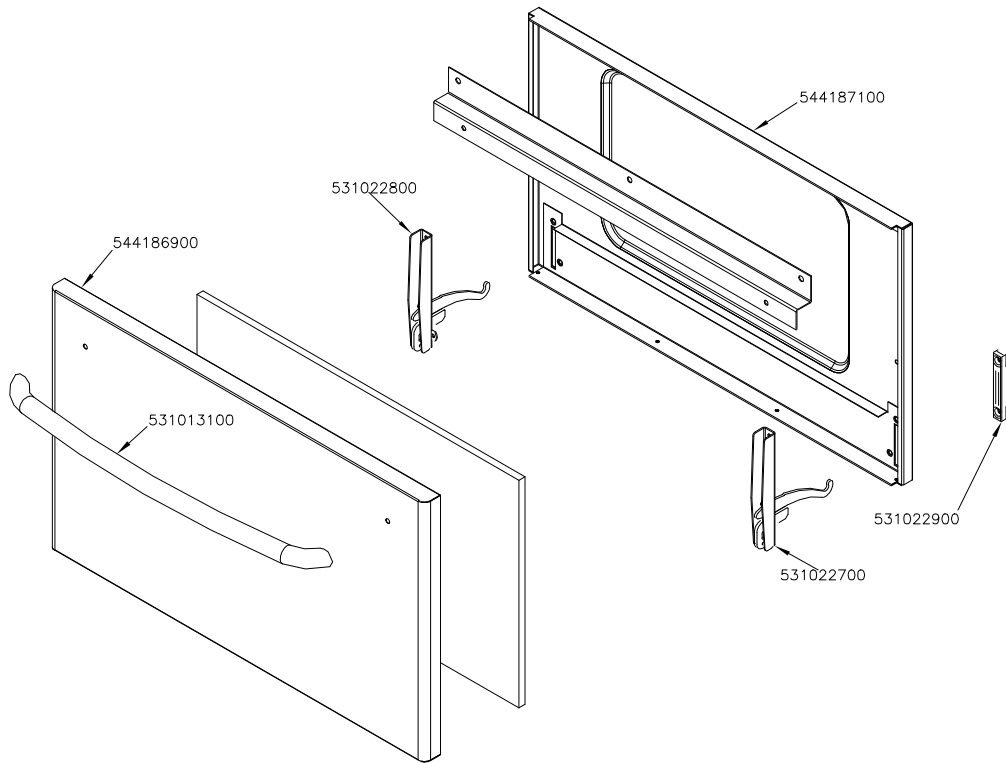
560044800M00P00

PLUSNACK 55

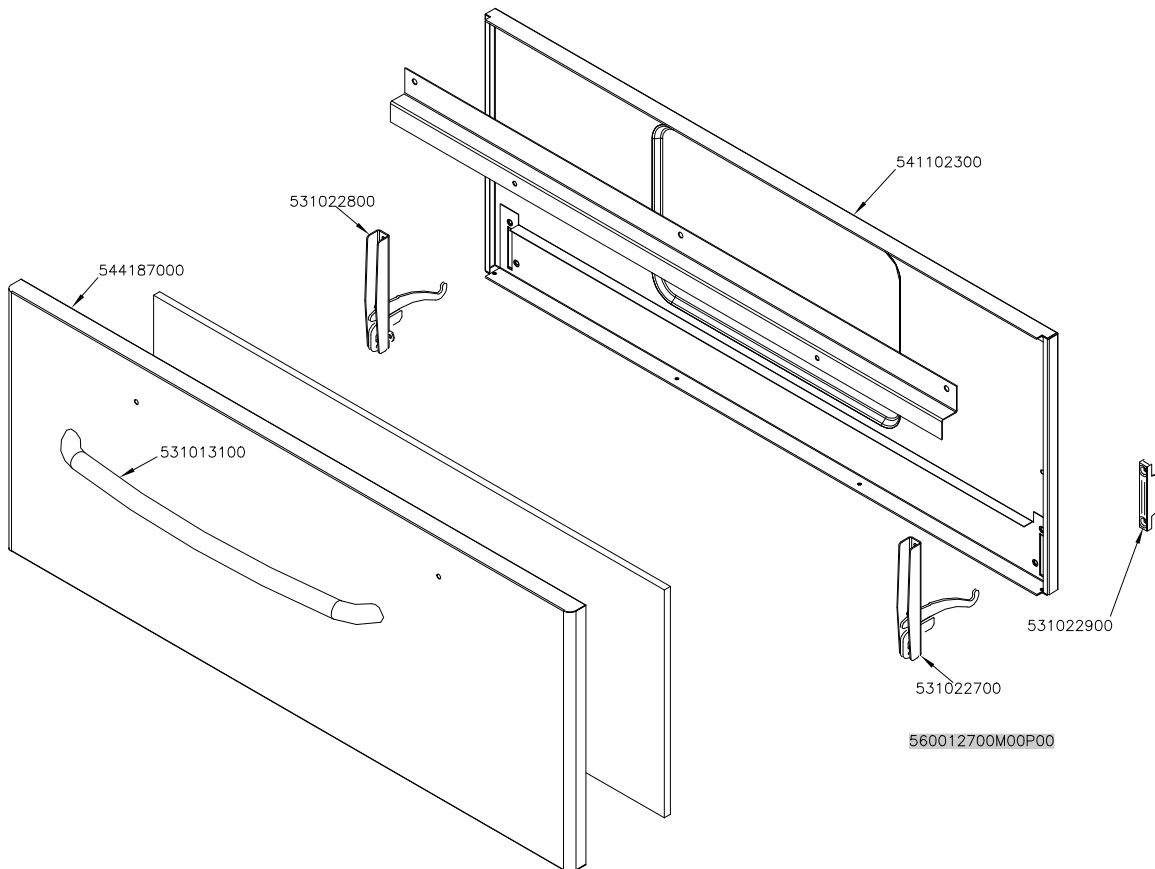
CUCINE / RANGES / HERDE / CUISINIÈRES
FORNO / OVEN / BACKOFEN / FOUR

PORTE / DOORS / TÜREN / PORTES

GN 2/1



GN 3/1

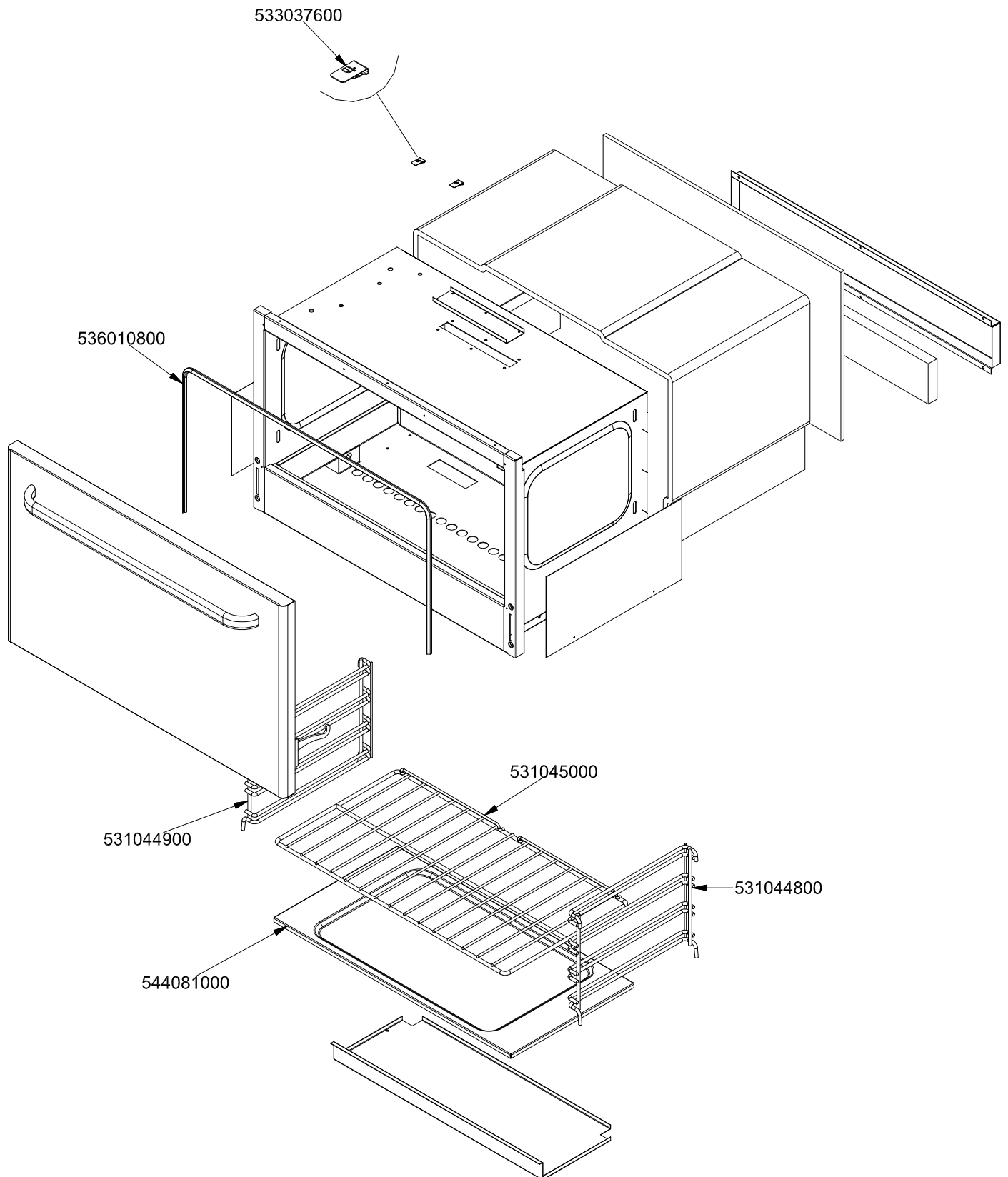


PLUSNACK 55

CUCINE / RANGES / HERDE / CUISINIÈRES

FORNO / OVEN / BACKOFEN / FOUR

ELETTRICO / ELECTRICAL / ELEKTRO / ELCTRIQUE / GN 2/1

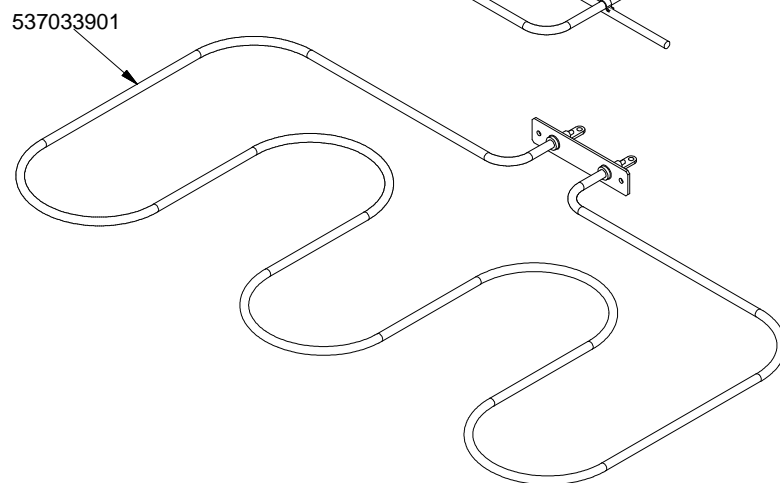
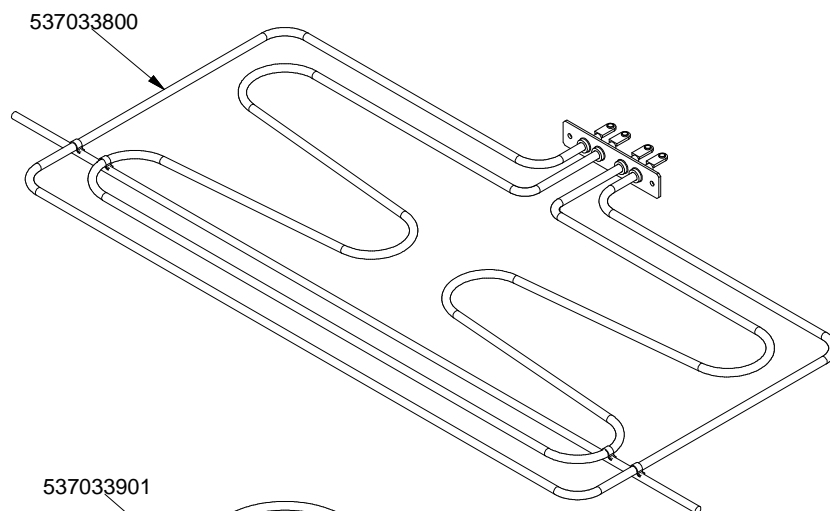
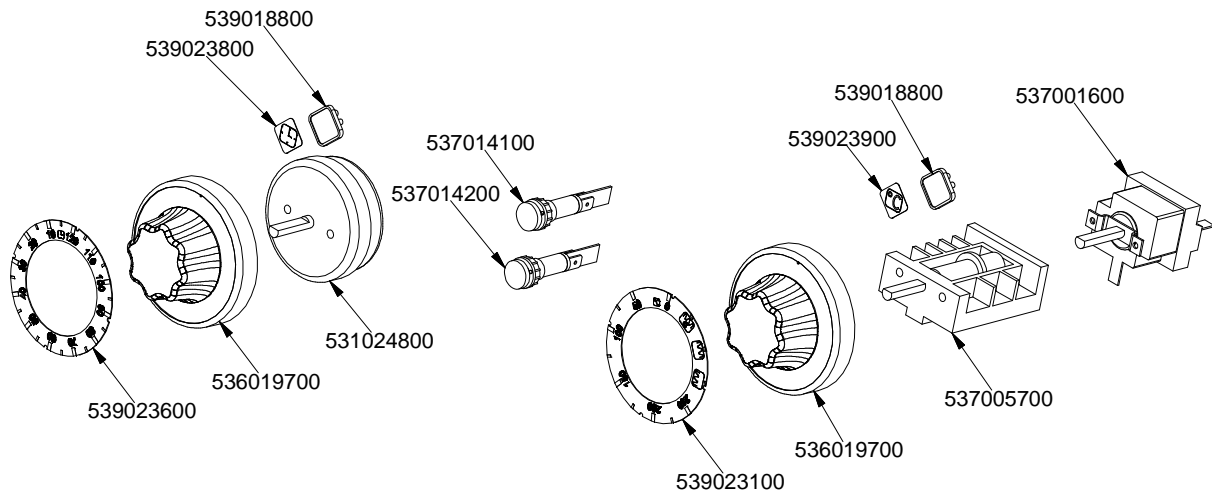


560028000M00P00

PLUSNACK 55

CUCINE / RANGES / HERDE / CUISINIÈRES
FORNO / OVEN / BACKOFEN / FOUR

ELETTRICO / ELECTRICAL / ELEKTRO / ELCTRIQUE / GN 2/1

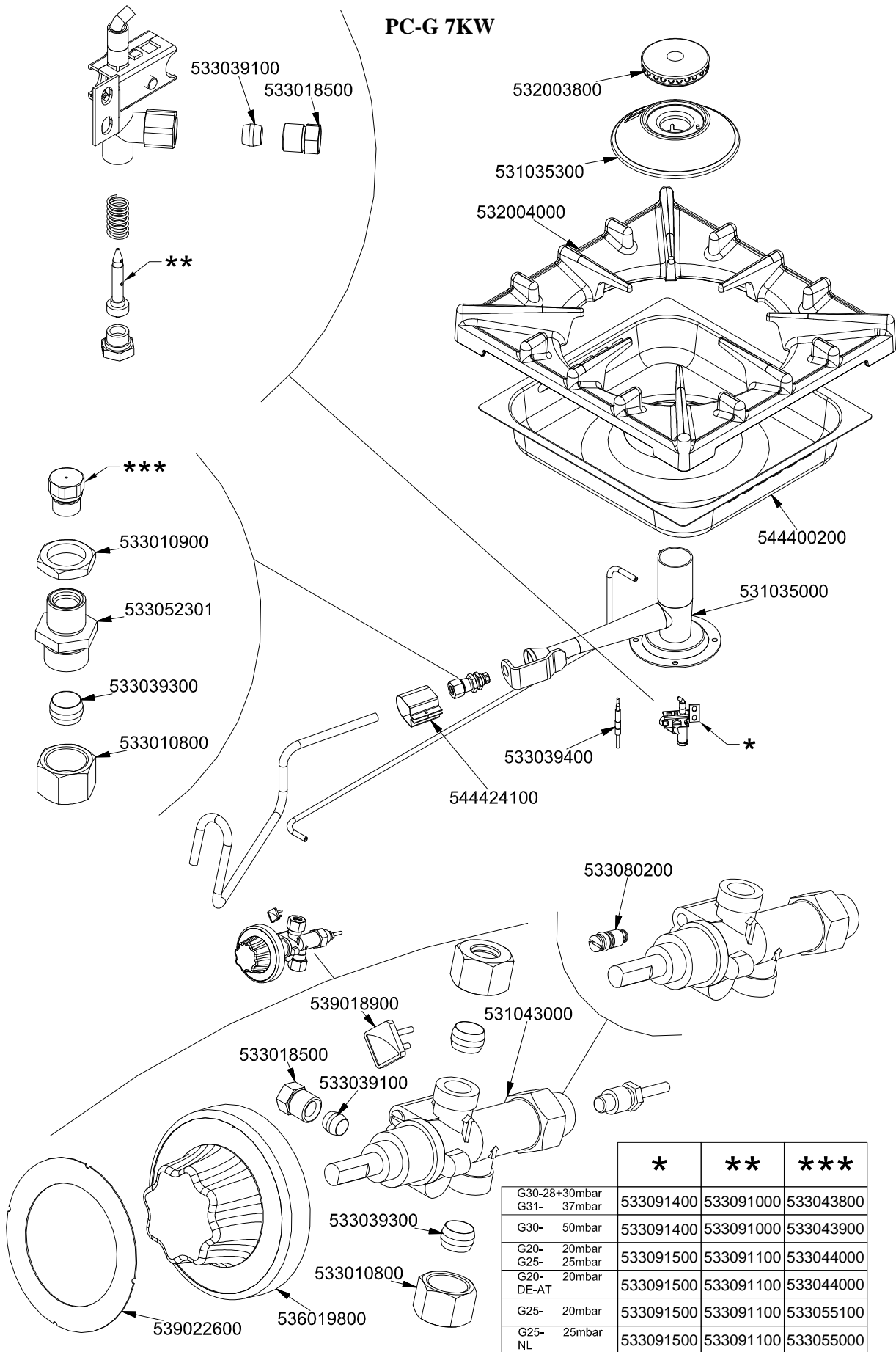


560028100M00P00

PLUSNACK 55

COMPONENTI COMUNI / STANDARDS PARTS / UEBLICHE TEILE / COMPOSANTS COMMUNS

PC-G 7KW

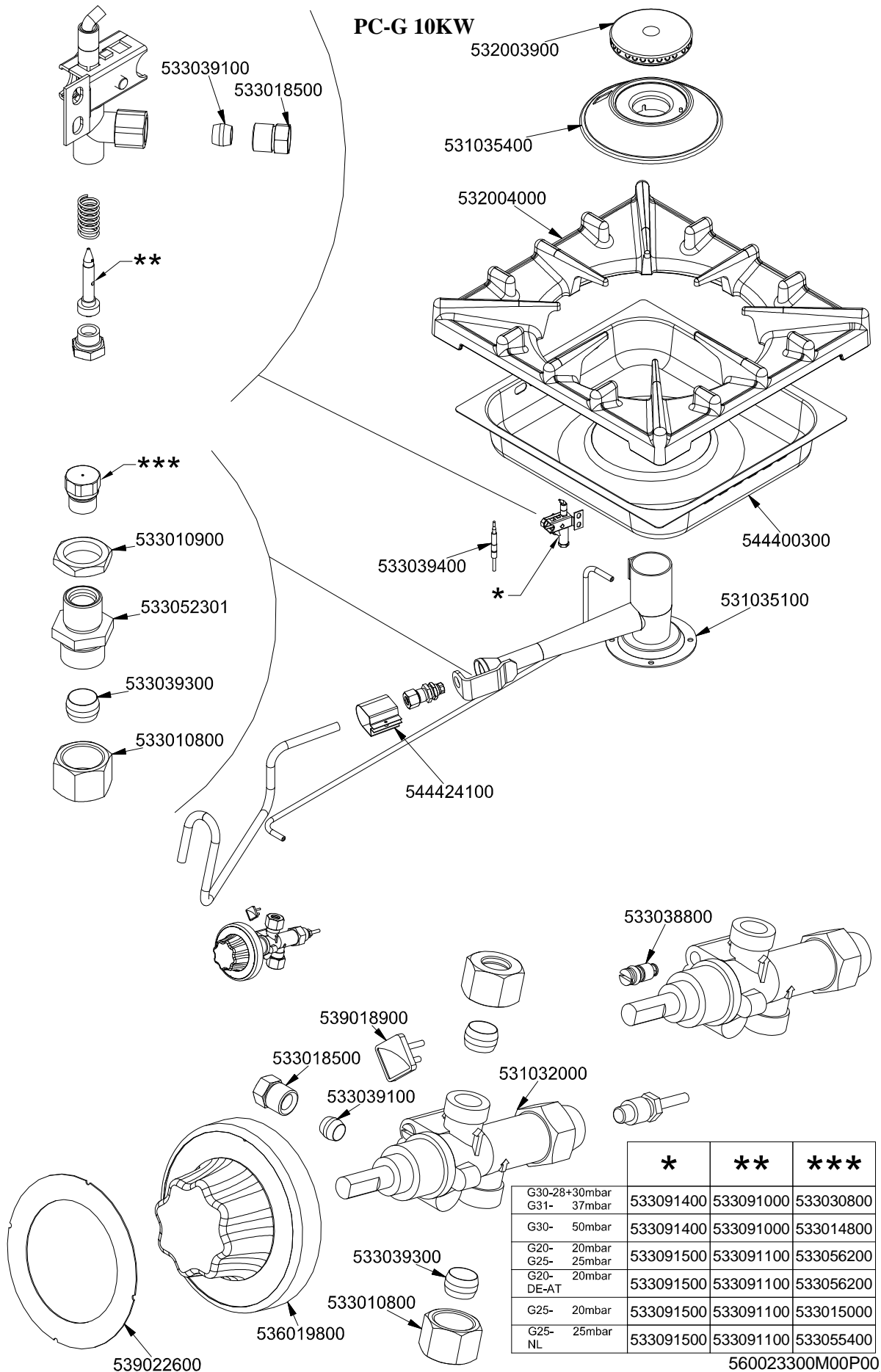


	*	**	***
G30-28+30mbar G31- 37mbar	533091400	533091000	533043800
G30- 50mbar	533091400	533091000	533043900
G20- 20mbar G25- 25mbar	533091500	533091100	533044000
G20- 20mbar DE-AT	533091500	533091100	533044000
G25- 20mbar	533091500	533091100	533055100
G25- 25mbar NL	533091500	533091100	533055000

560023200M00P00

PLUSNACK 55

COMPONENTI COMUNI / STANDARDS PARTS / UEBLICHE TEILE / COMPOSANTS COMMUNS



Page	Pos	Code	Description
001		541148500	UPPER PLATE CF2-58GE
001		544433900	LHD SIDE FOR CF 55
001		533009200	REDUCTION FOR 65 AND 70 LINE
001		537007600	TERMINAL BLOCK SINGLEPHASE 40A
001		541137000	CONTROL PANEL S55 CF2-5_8GE
001		544433800	RHD SIDE FOR CF 55
001		536005200	INOX LEG 2" 120-180 M10
002		544187100	OVEN INNER DOOR GN 2/1 S.70
002		531022900	HINGE DOOR WHEEL HOLDER S.70
002		531022800	LEFT OVEN DOOR HINGE S.70
002		531013100	OVEN DOOR HANDLE OF 70/90-LINE
002		541102300	GAS OVEN INNER DOOR GN 3/1 S.70
002		531072800	
002		544187000	OVEN DOOR GN 3/1 S.70
002		544186900	OVEN DOOR GN 2/1 S.70
002		531022700	RIGHT OVEN DOOR HINGE 70LINE
003		533037600	LOCK SPRING FOR BULB
003		536010800	OVEN GASKET GN 2/1 (1261)
003		531045000	GRID OVEN GN 1/1 S55
003		531044800	RHD SUPPORT GRID OVEN S55
003		531044900	LHD SUPPORT GRID OVEN S55
003		544081000	55 ELECRIK OVEN BOTTOM GN1/1
004		539018800	INDEX FOR OVEN KNOB
004		539023800	SIGN PLATE FOR OVEN TIMER
004		537014100	WHITE WARNING LIGHT 250V
004		537014200	GREEN WARNING LIGHT 250V
004		531024800	TIMER 120'- 360°
004		536019700	BLACK KNOB §70 PIN §6*5
004		539023600	ADHESIVE GRADUATED DISC FOR KNOB
004		537001600	THERMOSTAT 50-320°C SINGLEPHASE
004		539023900	SIGN PLATE FOR OVEN TEMPERATURE
004		537005700	OVEN COMMUTATOR CF-8/10 EL.
004		539023100	ADHESIVE GRADUATED DISC FOR MAXI OV
004		537033800	HEATING ELEMENT 1250W+2700W 230V
004		537033901	LOWER H.ELEMENT 1800W 230V 55-OVEN
005		533039100	BICONE §6
005		533018500	FITTING FOR BICONE D.6 M10*1
005		532003800	BURNER COVER RING §082
005		531035300	MEDIUM BURNER BODY 90 LINE
005		532004000	1 FLAME GRILL 396X366 (90)
005		544400200	BURNER DRIP PAN 2/3
005		531035000	MEDIUM BURNER VENTURI 90 LINE
005		533010900	NUT M14*1 H.4
005		533052301	JOINT FOR NOZZLE HOLDER
005		533039300	BICONE §10
005		533010800	TUBE NUT D.10 M16*1,5
005		533039400	THERMOCOUPLE M9*1*850
005		544424100	
005		533080200	BY PASS COCK §65 20S-21S
005		531043000	GAS COCK 21S P.V. BY-PASS §065
005		539018900	INDEX FOR KNOB

Page	Pos	Code	Description
005		536019800	BLACK KNOB §70 PIN §8*6,5
005		539022600	GRADUATED STICKER FOR KNOB
005		533091400	P.NOZZLE S100 UG.§20 PC90 LPG-FLUS
005		533091000	NOZZLE 0.100 §20
005		533043800	NOZZLE §130 CH12*14 G-CW4
005		533043900	NOZZLE §115 CH12*14 F-CW4
005		533091500	PILOT NOZZLE S.100 §30 PC90 NAT.GAS
005		533091100	NOZZLE 0.100 §30
005		533044000	NOZZLE §195 CH12*14 M-CW4
005		533055100	NOZZLE §215 CH12*14 L-CW4
005		533055000	NOZZLE §205 CH12*14 G25 CW4
006		532003900	BURNER COVER RING §100
006		533039100	BICONE §6
006		533018500	FITTING FOR BICONE D.6 M10*1
006		531035400	BIG BURNER BODY 90 LINE
006		532004000	1 FLAME GRILL 396X366 (90)
006		544400300	BURNER DRIP PAN 2/3
006		531035100	BIG BURNER VENTURI 90 LINE
006		533039400	THERMOCOUPLE M9*1*850
006		544424100	
006		533010900	NUT M14*1 H.4
006		533052301	JOINT FOR NOZZLE HOLDER
006		533039300	BICONE §10
006		533010800	TUBE NUT D.10 M16*1,5
006		533038800	75 BY-PASS FOR 21S TAP
006		531032000	GAS COCK P.V.BY-PASS Ø075
006		539018900	INDEX FOR KNOB
006		536019800	BLACK KNOB §70 PIN §8*6,5
006		539022600	GRADUATED STICKER FOR KNOB
006		533091400	P.NOZZLE S100 UG.§20 PC90 LPG-FLUS
006		533091000	NOZZLE 0.100 §20
006		533030800	NOZZLE §155 CH12X14 M-CW
006		533014800	NOZZLE §135 CH12*14,0
006		533091500	PILOT NOZZLE S.100 §30 PC90 NAT.GAS
006		533091100	NOZZLE 0.100 §30
006		533056200	NOZZLE §230 CH12*14
006		533015000	NOZZLE D.I 260 G110 (TOWN GAS)
006		533055400	NOZZLE §245 CH12*14