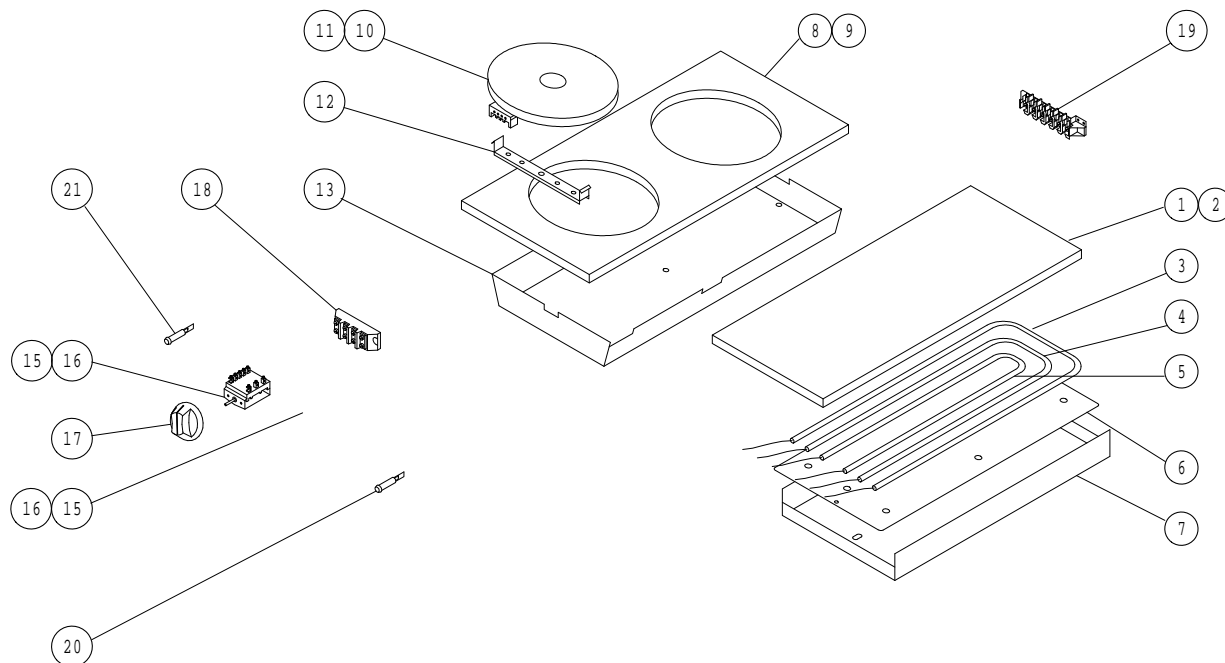
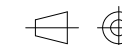


IF IN DOUBT ASK!!

DO NOT SCALE !!

First Angle Projection



E2121 CONTROLS

Item	Spares No.	Description
1	730960010	Rectangular Hotplate Assembly
2	730960100	Rectangular Hotplate Casting
3	730960040	Element Outer
4	730960030	Element Intermediate
5	730960020	Element Inner
6	730960150	Element Clamp Plate
7	730964060	Hotplate Lagging Box
8	730960114	Round Hotplate Assembly
9	730960101	Round Hotplate Casting
10	730960110	Hotplate Assembly
11	730960050	Hotplate
12	730960115	Fixing Bracket
13	730964160	Cover Plate
14	730960116	Seal for Round Hotplate (not shown)
15	730960070	6 Position Switch
16	731000005	6 Position Switch c/w Knob
17	731000002	6 Position Switch Knob Only
18	730960112	Terminal Block Porcelain
19	731000006	Terminal Block Incoming
20	731000007	Neon Amber
21	731000008	Neon Red

All Dimensions in millimetres, Tolerance- Linear ±0.5mm Angular ±0.5° (or as stated)

A	1004	ISSUED FOR PRODUCTION		I. HAMILTON	08-03-04
Issue	Mod No.	Alteration	Zone	Drawn by	Date



Drawn	I. HAMILTON	Product	E2121 BOILING TABLE	
Date	19-01-04	Title	E2121 CONTROLS SPARES INFO	
Scale				
Matl.			Drawing Number	Issue
No. off			AA42406	A
Bin No.		Kraus No.	T111407	

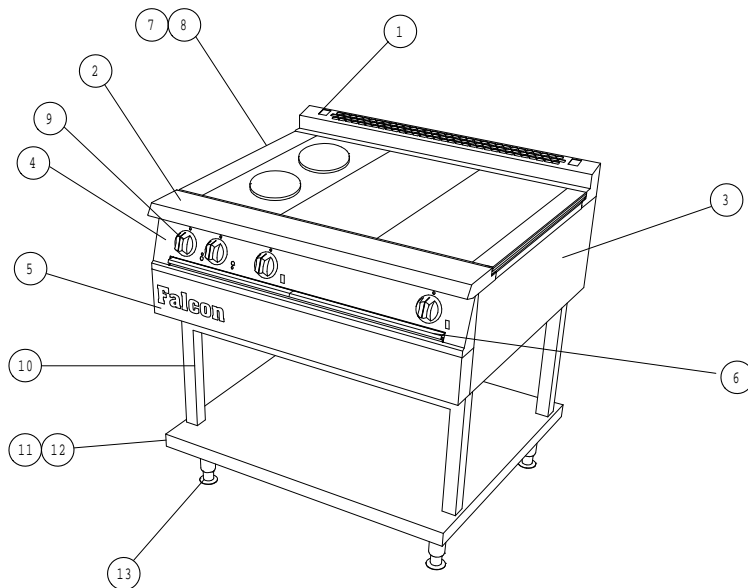
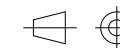
No reproduction or publication of this drawing may be made and no article may be manufactured or assembled in accordance with this drawing without prior written consent. The prohibition is a condition of any contract relating to this drawing. Rights reserved under the Copyright Act 1956 as amended by the Design Copyright Act 1988.

This part is common to the following units

UNCONTROLLED

IF IN DOUBT ASK!!

DO NOT SCALE !!
First Angle Projection



E2121 FITMENTS

Part No	Spares No	Description
1	535480046	Rear hob rail
2	535480047	Front hob rail
3	535400190	Outer Side Panel
4	731030000	Control panel
5	535400201	Lower facia
6	535480053	Hob Drip Tray
7	730960090	Hob Filling
8	730963121	Side Drip Shed
9	731000002	Control Knob (hob)
10	535400202	Leg assembly
11	535400203	Bottom shelf
12	535400204	Bottom frame
13	730963050	Adjustable Leg

All Dimensions in millimetres, Tolerance- Linear $\pm 0.5\text{mm}$ Angular $\pm 0.5^\circ$ (or as stated)

A	1004	ISSUED FOR PRODUCTION		I.HAMILTON	08-03-04
G	Issue	Mod No.	Alteration	Zone	Drawn by
					Date



Drawn	I.HAMILTON	Product	E2121 BOILING TABLE	
Date	08-03-04	Title	E2121 FITMENTS SPARES INFO	
Scale				
Matl.		Drawing Number		Issue
No. off			AA42405	A
Bin No.		Kraus No.	T111406	

No reproduction or publication of this drawing may be made and no article may be manufactured or assembled in accordance with this drawing without prior written consent. This prohibition is a condition of any contract relating to this drawing. Rights reserved under the Copyright Act 1956 as amended by the Design Copyright Act 1988.

This part is common to the following units

UNCONTROLLED

Falcon Foodservice Equipment. Wallace View Hillfoots Road Stirling Scotland