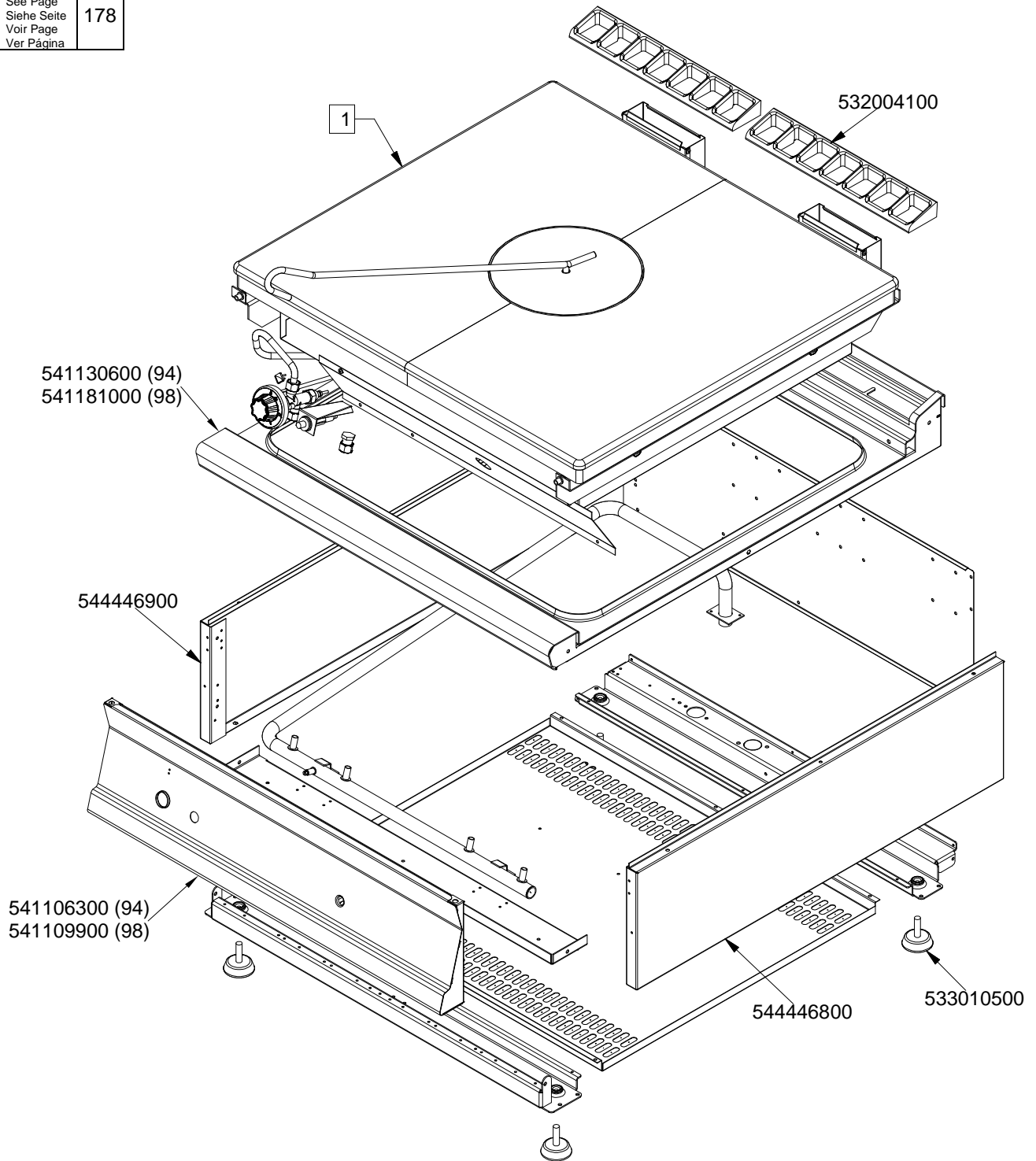


# IPERLOTUS 90 TOP

GAS / GAS / GAS / GAZ

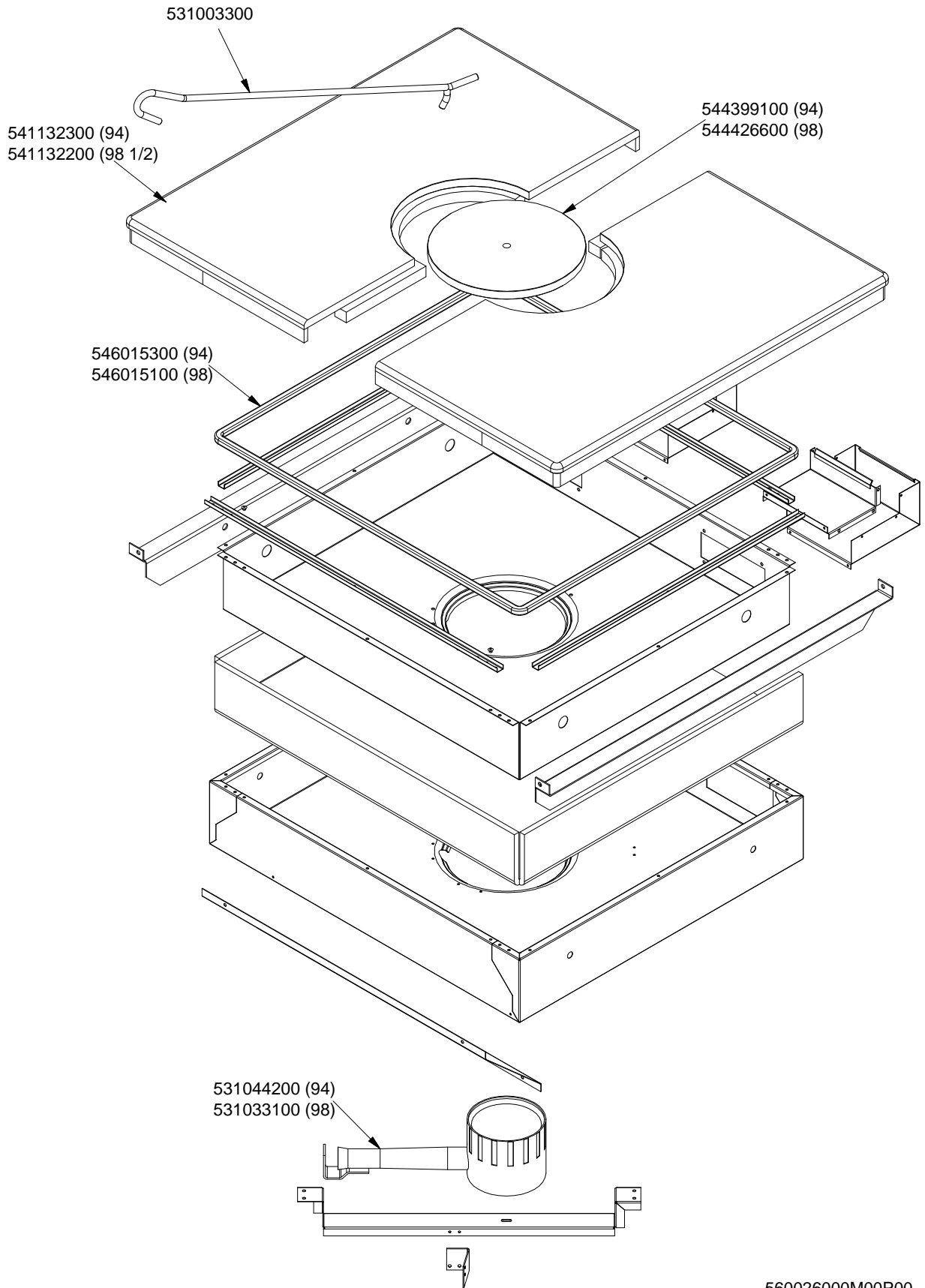
TPT-94G TPT-98G

	1
Vedi Pagina See Page Siehe Seite Voir Page Ver Página	178



560064500M00P00

**TPT**

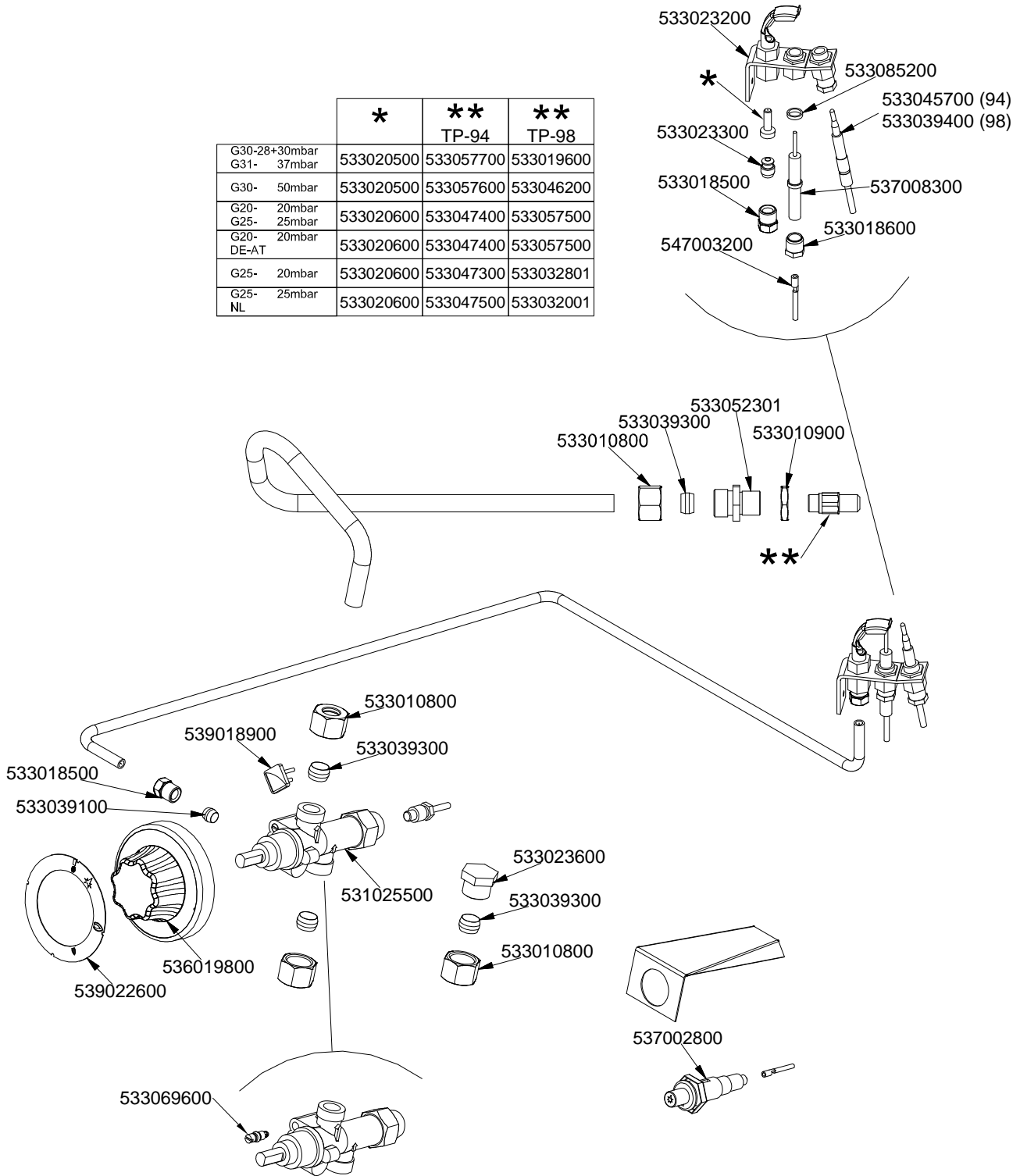


# IPERLOTUS 90 TOP

COMPONENTI COMUNI / STANDARDS PARTS / UEBLICHE TEILE / COMPOSANTS COMMUNS

## TPT

	*	**	**
		TP-94	TP-98
G30-28+30mbar G31- 37mbar	533020500	533057700	533019600
G30- 50mbar	533020500	533057600	533046200
G20- 20mbar G25- 25mbar	533020600	533047400	533057500
G20- 20mbar DE-AT	533020600	533047400	533057500
G25- 20mbar	533020600	533047300	533032801
G25- 25mbar NL	533020600	533047500	533032001



560025900M00P00

Page	Pos	Code	Description
001		541130600	UPPER PLATE TP-94G
001		541106300	CONTROL PANEL TP-74G TP-94G
001		533010500	LEG M10*25 D.40
001		544446800	
001		544446900	
001		532004100	FLUE GRID L=370 70LINE (RAF)
002		531003300	TP-PLATE LIFTING HOOK
002		544399100	PLATE RING FOR TP-74G TP-94G
002		531044200	CIRCULAR BURNER TP D.066
002		546015300	SQUARE BRAID 12*12*L=1821
002		541132300	PLATE TP-94G
003		533020500	NOZZLE 0.140 §19
003		533020600	NOZZLE 0.140 §27
003		533057700	NOZZLE §130A CH12*30 F-BRF74
003		533057600	NOZZLE §115A CH12*30 G-BRF74
003		533047400	NOZZLE §195 CH12*30 M-BM8
003		533047300	NOZZLE §215 CH12*30 L-BM8
003		533047500	NOZZLE §205 CH12*30 ML-BM-8G
003		533039300	BICONE §10
003		533052301	JOINT FOR NOZZLE HOLDER
003		533010900	NUT M14*1 H.4
003		533023200	"TARGET" PILOT + NIPPLE TC BRAC.90°
003		533023300	BICONE §6 ("TARGET" PILOT)
003		533018500	FITTING FOR BICONE D.6 M10*1
003		547003200	HIGH-VOLTAGE CABLE TUBE.§2 L=500
003		533085200	
003		533045700	THERMOCOUPLE M9*1 500
003		537008300	ROUND PLUG §2,4- LONG ELECTRODE
003		533018600	PLUG FITTING
003		533069600	BY PASS COCK §130 20S-21S
003		533039100	BICONE §6
003		536019800	BLACK KNOB §70 PIN §8*6,5
003		539022600	GRADUATED STICKER FOR KNOB
003		531025500	GAS COCK 21S P.V.BY-PASS Ø130
003		533010800	TUBE NUT D.10 M16*1,5
003		539018900	INDEX FOR KNOB
003		533023600	TAP PLUG §10 M16*1, 5CH19
003		537002800	PIEZOELECTRIC IGNITION M18