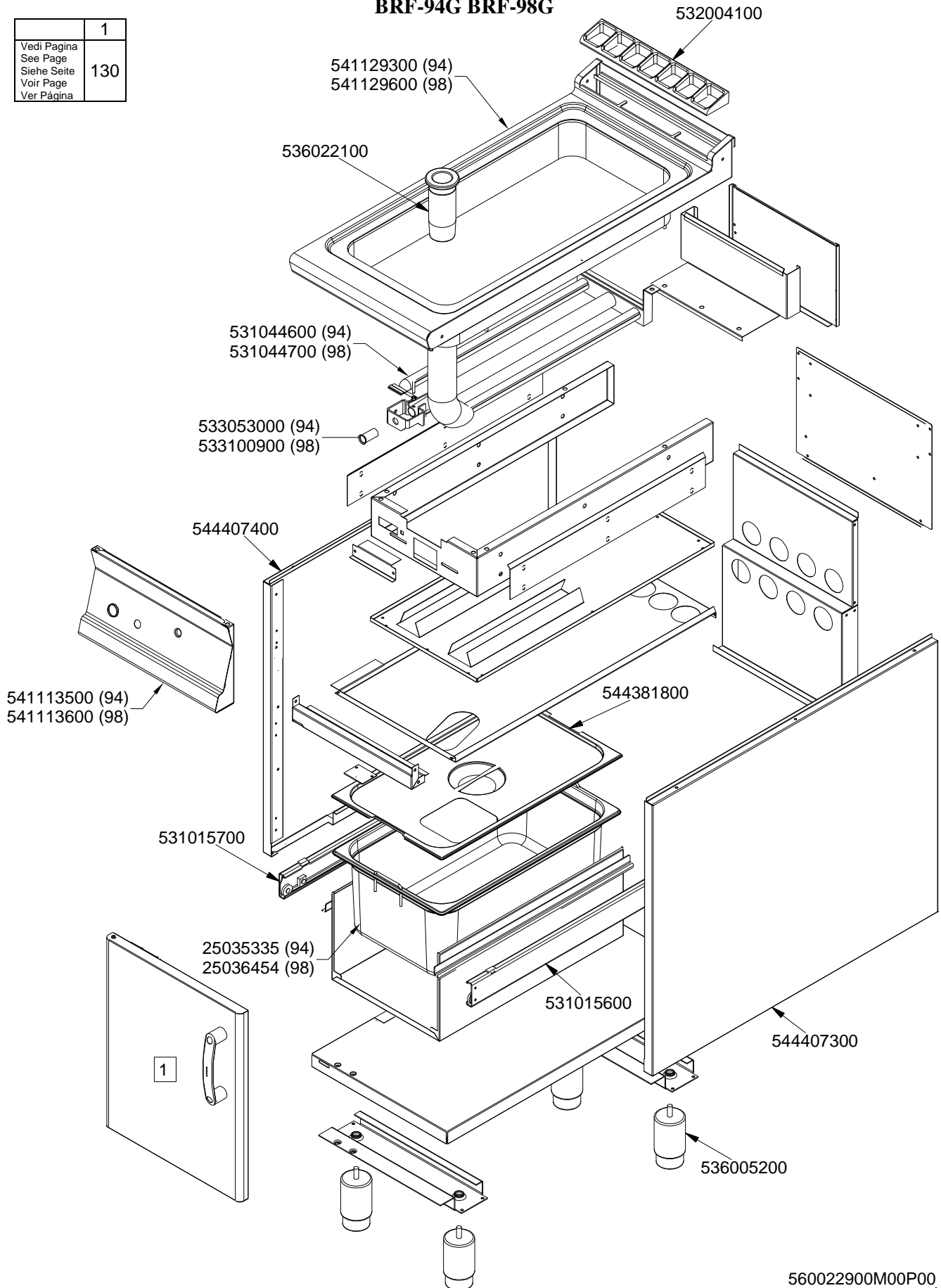


IPERLOTUS 90

GAS / GAS / GAS / GAZ

1	
Vedi Pagina See Page Siehe Seite Voir Page Ver Página	130

BRF-94G BRF-98G

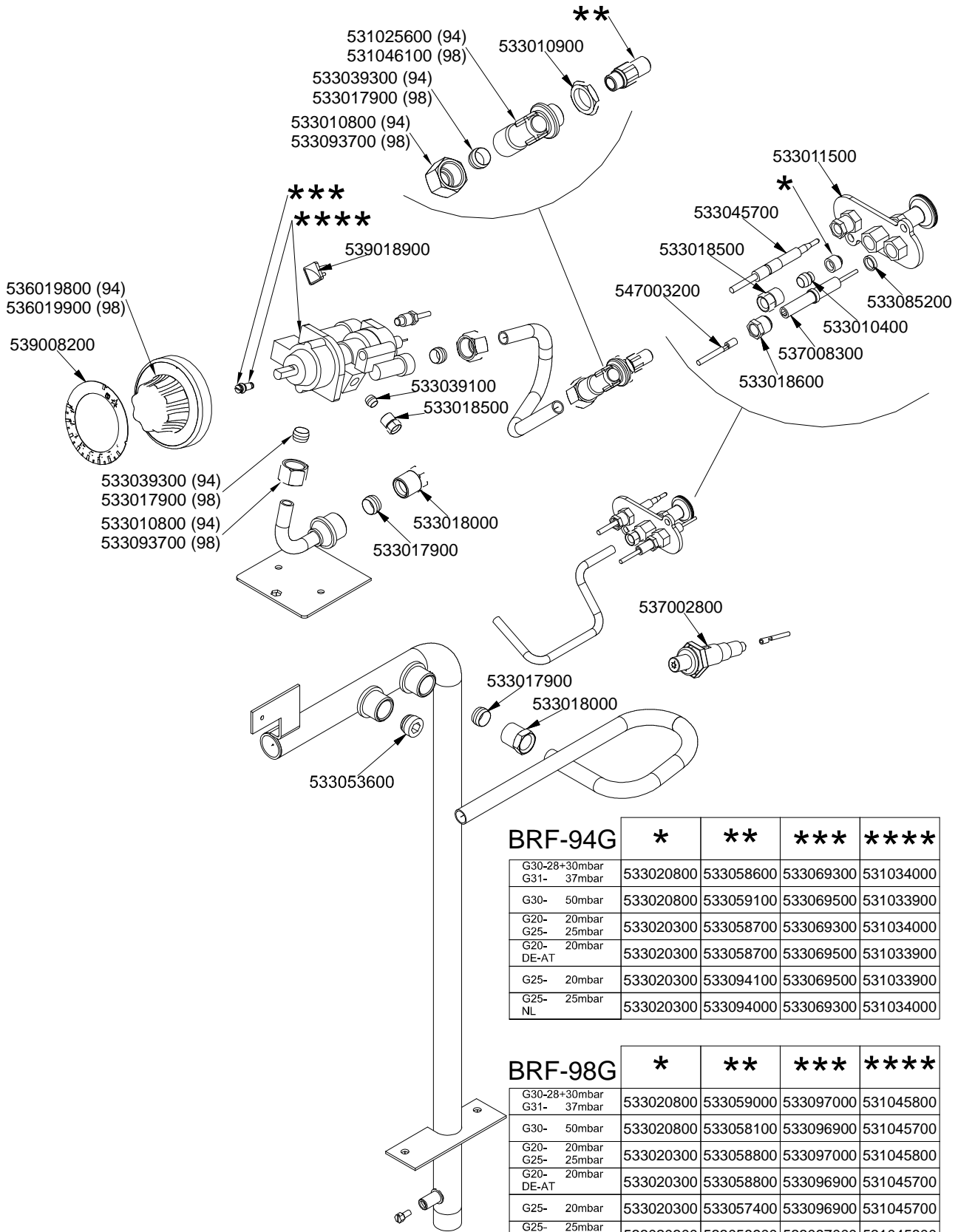


560022900M00P00

IPERLOTUS 90

GAS / GAS / GAS / GAZ

BRF-94G BRF-98G

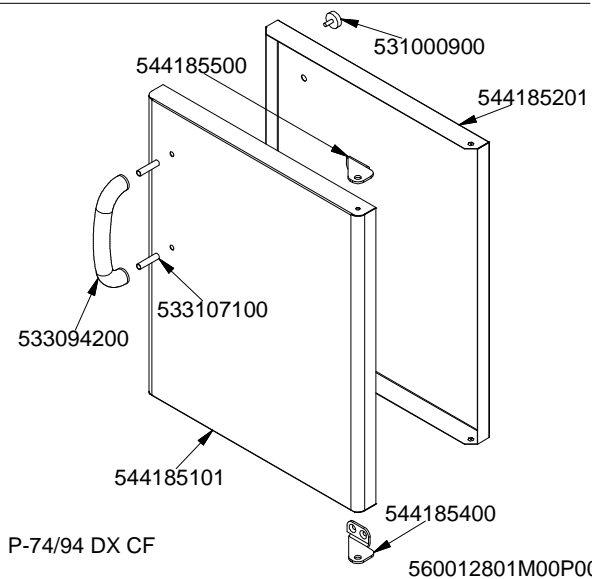
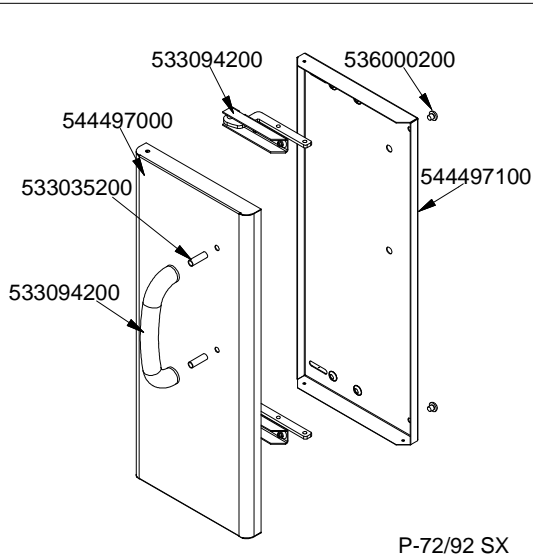
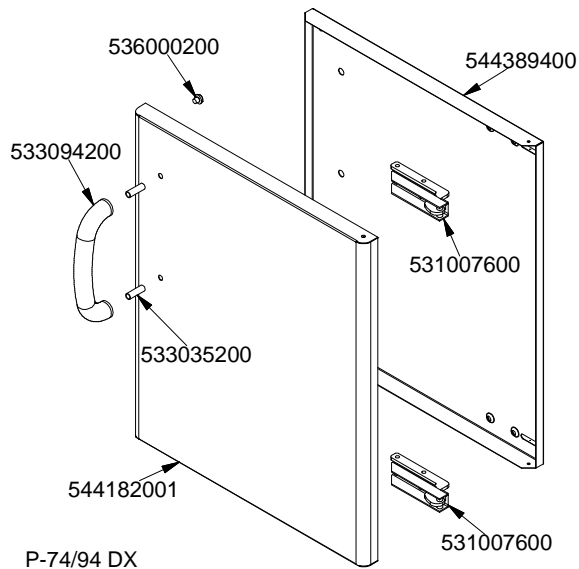
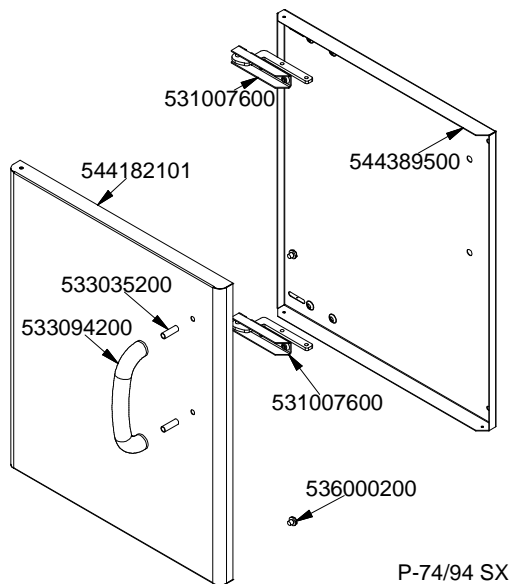
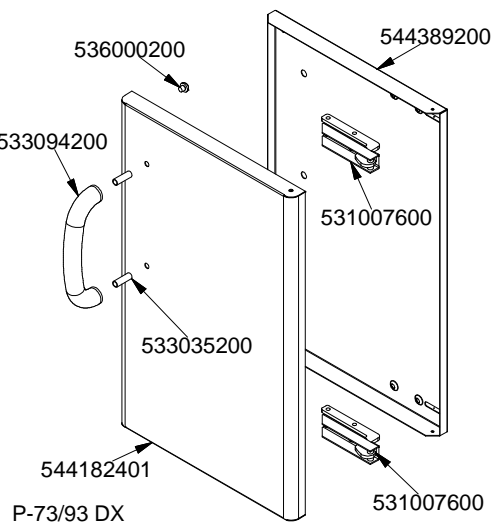
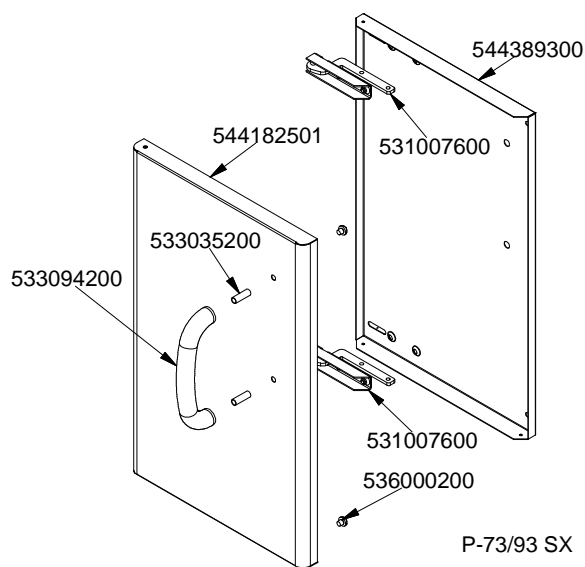


BRF-94G	*	**	***	****
G30-28+30mbar G31- 37mbar	533020800	533058600	533069300	531034000
G30- 50mbar	533020800	533059100	533069500	531033900
G20- 20mbar G25- 25mbar	533020300	533058700	533069300	531034000
G20- 20mbar DE-AT	533020300	533058700	533069500	531033900
G25- 20mbar	533020300	533094100	533069500	531033900
G25- 25mbar NL	533020300	533094000	533069300	531034000

BRF-98G	*	**	***	****
G30-28+30mbar G31- 37mbar	533020800	533059000	533097000	531045800
G30- 50mbar	533020800	533058100	533096900	531045700
G20- 20mbar G25- 25mbar	533020300	533058800	533097000	531045800
G20- 20mbar DE-AT	533020300	533058800	533096900	531045700
G25- 20mbar	533020300	533057400	533096900	531045700
G25- 25mbar NL	533020300	533058900	533097000	531045800

560023001M00P00

PORTE / DOORS / FLÜGELÜREN / PORTES N°≥0602



560012801M00P00

Page	Pos	Code	Description
001		536005200	INOX LEG 2" 120-180 M10
001		532004100	FLUE GRID L=370 70LINE (RAF)
001		536022100	PLUG FOR BRF BASIN
001		531015600	RHD TELESCOPIC GUIDE RS50 L=570
001		531015700	LHD TELESCOPIC GUIDE RS50 L=570
001		544381800	GN1/1 LID BRF W/MANUAL DISCHARGE
001		541129600	UPPER PLATE BRF-98G
001		531044700	BURNER BRF-98G
001		25036454	
001		541113600	UPPER PLATE BRF-78G
001		533100900	AIR ADJUSTMENT BUSHING D22 EST.H38
001		544407400	LEFT SIDE PANEL 70 LINE
001		544407300	RIGHT SIDE PANEL 90 LINE
002		533010900	NUT M14*1 H.4
002		531046100	FITTING FOR NOZZLE-SUPPORT TUBE D12
002		533017900	BICONE D.12
002		533093700	HEXAGONAL NUT M20X1,5
002		533011500	PILOT BURNER 2 FLAMES 220
002		533045700	THERMOCOUPLE M9*1 500
002		539018900	INDEX FOR KNOB
002		533018500	FITTING FOR BICONE D.6 M10*1
002		547003200	HIGH-VOLTAGE CABLE TUBE.§2 L=500
002		533085200	
002		536019900	BLACK KNOB §70 PIN §10*8
002		533010400	BICONE D.6
002		539008200	ADHESIVE GRADUATED DISC FOR KNOB
002		537008300	ROUND PLUG §2,4- LONG ELECTRODE
002		533039100	BICONE §6
002		533018600	PLUG FITTING
002		533018000	ELBOW FOR BICONE D.12 3/8 RS L20
002		537002800	PIEZOELECTRIC IGNITION M18
002		533053600	EUROSIT VALVE PLUG
002		533020800	NOZZLE 0160-FLUSS. (25)
002		533020300	NOZZLE 0160 (NATURAL GAS) 1-2 (41)
002		533058600	NOZZLE §145A CH12*30 G-BRF94
002		533059100	NOZZLE §125A CH12*30 G-BM8
002		533058700	NOZZLE §230 CH12*30 H-BRF94
002		533094100	NOZZLE §250 CH12*30 L-BRF94
002		533094000	NOZZLE §250 CH12*30 L-BRF94
002		533069300	BY PASS COCK §100 25ST
002		533069500	BY PASS COCK §085 25ST
002		531034000	GAS COCK 25ST P.O. BY-PASS §100
002		531033900	HORIZON.THERMOSTATIC TAP BYPASS §85
002		533059000	NOZZLE §210A CH12*30 G-BRF98
002		533058100	NOZZLE §190 CH12*30 G-BRF78
002		533058800	NOZZLE §340 CH12*30 H-BRF98
002		533057400	NOZZLE §390 CH12*30 L-BRF98
002		533058900	NOZZLE §340 CH12*30 H-BRF98
002		533097000	COCK BY-PASS 24ST 23SV D150
002		533096900	COCK BY-PASS 24ST 23SV D125
002		531045800	GAS COCK 24ST BY PASS D150 HORIZ.P

Page	Pos	Code	Description
002		531045700	GAS COCK 24ST BY PASS D125 HORIZ.P
003		544389300	
003		531007600	DOOR HINGE
003		544182501	LEFT DOOR 73
003		533035200	
003		533094200	S/S HANDLE FOR 70/90 SERIES
003		536000200	D.12 H.4 BUMPER
003		544182401	RIGHT DOOR 73
003		544389200	
003		544182001	RIGHT DOOR 74
003		544389400	
003		544182101	LEFT DOOR 74
003		544389500	INNER-DOOR OF LHD 74
003		544497100	
003		544497000	
003		544185101	RIGHT DOOR 74 CF
003		544185400	LOWER DOOR HINGE FOR COMPARTME CF70
003		533107100	
003		544185500	UPPER DOOR HINGE FOR COMPARTME CF70
003		531000900	MAGNET §22 KG.3 WITH DISK
003		544185201	