

DISHWASHER

ELECTROMECHANICAL SWITCHES
LOWER AND UPPER WASHING

TYPE: 31U

Accessories

BREAK TANK

BOOSTER PUMP

DVGW

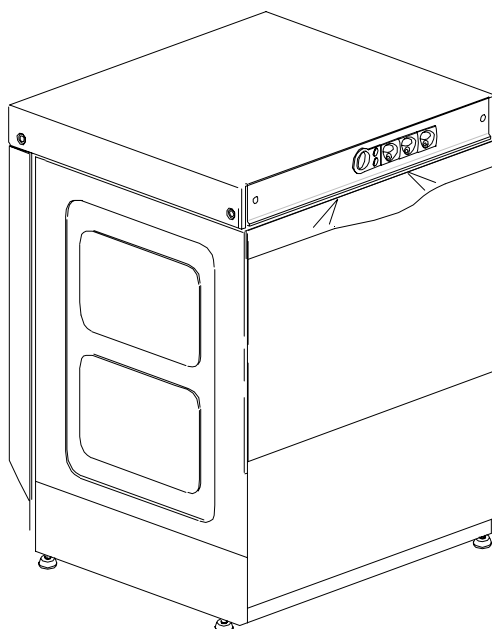
COLD RINSE

WATER SOFTNER

DETERGENT DISPENSER

DRAIN PUMP

Spare parts manual



1. Spare parts

General body parts.....	7
Lockup system	9
Control panel	11
Control electric components.....	13
Solenoid valve group	15
Solenoid valve group	17
Break Tank	19
Booster pump.....	21
DVGW	23
Water softner group.....	25
Shining product dosing device group .	27
Boiler group	29
3 ways derivation.....	31
Wash pump	33
Dosing device group	35
Drain pump group.....	37

Pressure switch group with air trap ...39

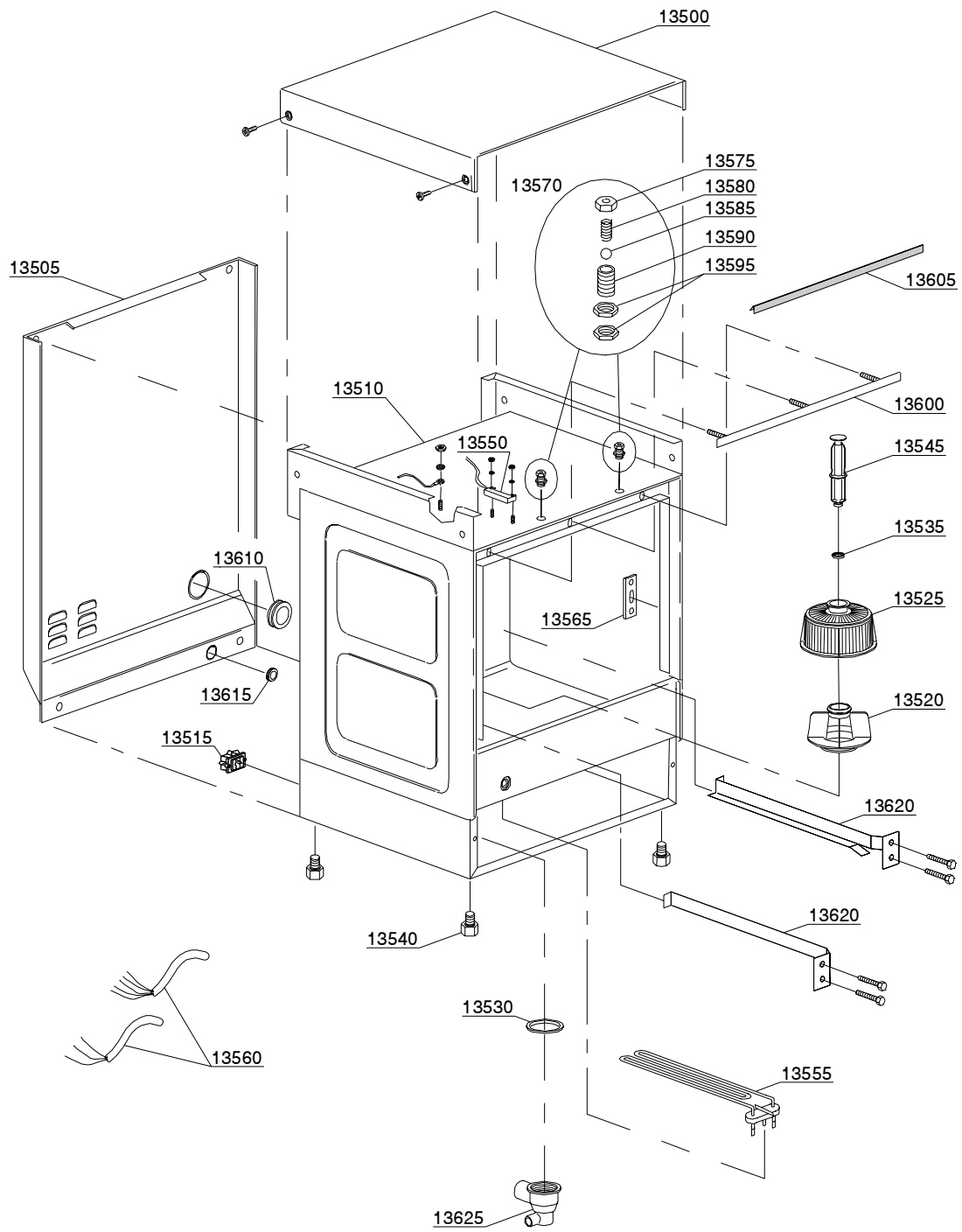
Turret group with rotating arms41

1.1 Voltage codes

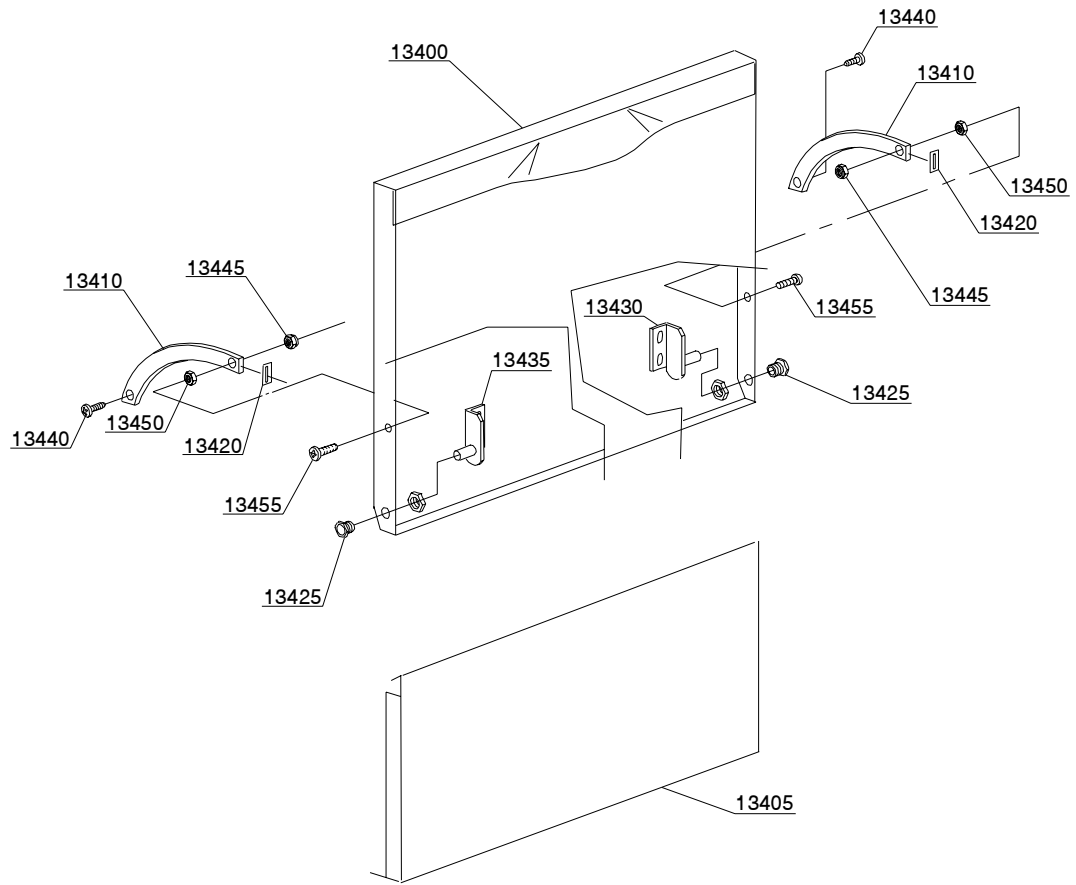
Voltage code	Voltage
A	3/N/PE~400/230V 50Hz
B	~250V 16A 50Hz
C	3/N/PE~380/220V 50Hz
D	3/PE~200V 50-60Hz
F	2/PE 220-240V 50Hz
G	3/N/PE~415/240V 50Hz
H	3/PE~230V 50Hz
I	3/PE~220V 60Hz
J	3/PE~380 50Hz
K	3/PE~400V 50Hz
L	3/PE~415V 50Hz
M	3/PE~440V 60Hz
N	3/PE~460V 60Hz
O	3/PE~480V 60Hz
P	1/N/PE~220-240V 50Hz
R	2/PE~220-230V 60Hz
S	3/N/PE~400/230V 50Hz
T	3/PE~230V 60Hz

1.2 Product codes

Product code	Full name
Model codes	
em	ELECTROMECHANICAL SWITCHES
ls	LOWER AND UPPER WASHING
Type codes	
31U	31U
Accessory codes	
bt	BREAK TANK
pap	BOOSTER PUMP
dvgw	DVGW
fs	COLD RINSE
d	WATER SOFTNER
dde	DETERGENT DISPENSER
ps	DRAIN PUMP



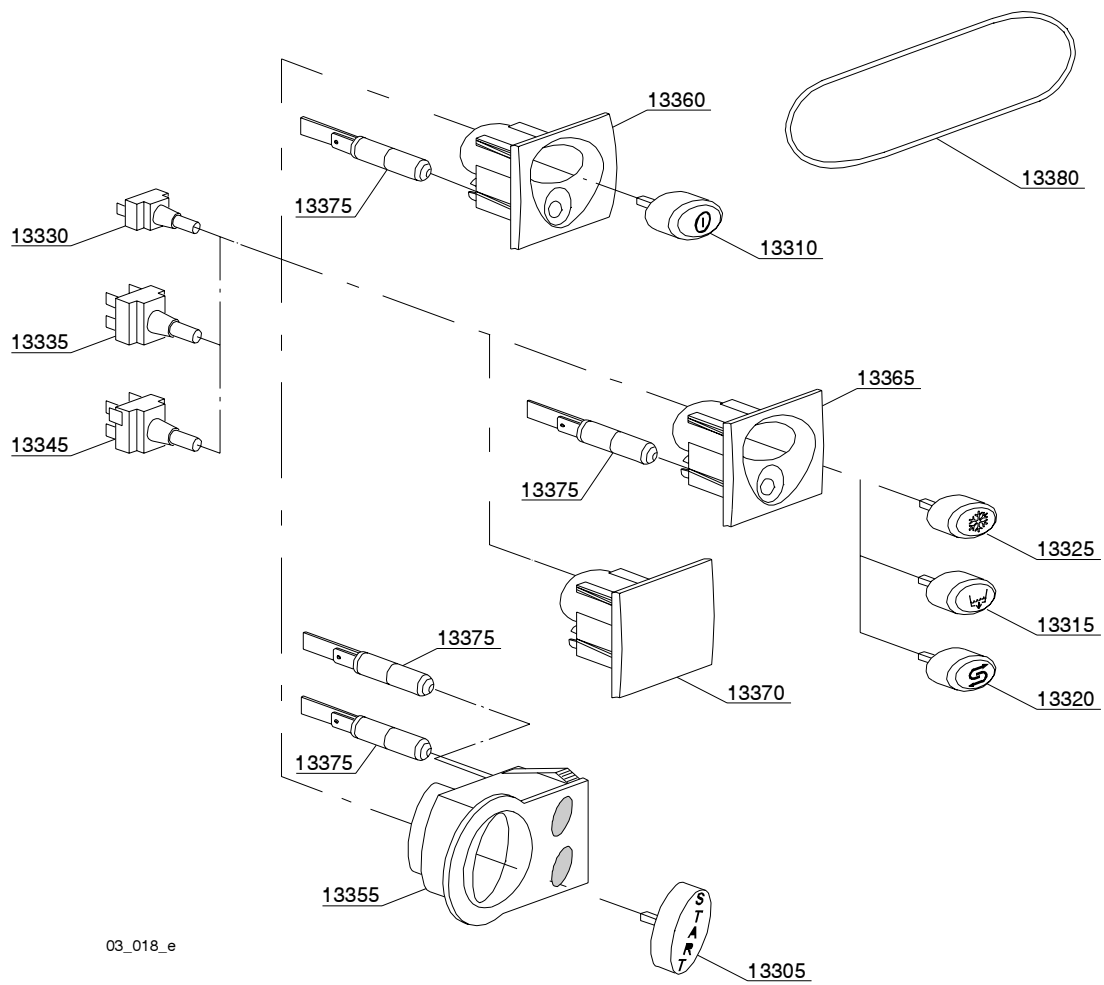
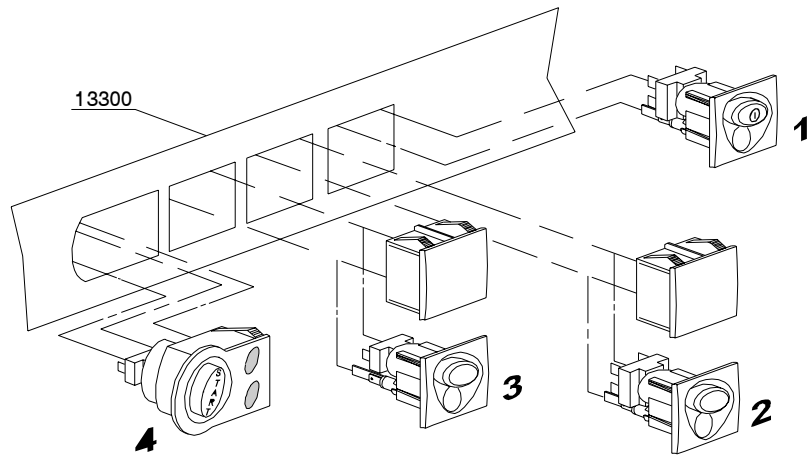
01_015_e



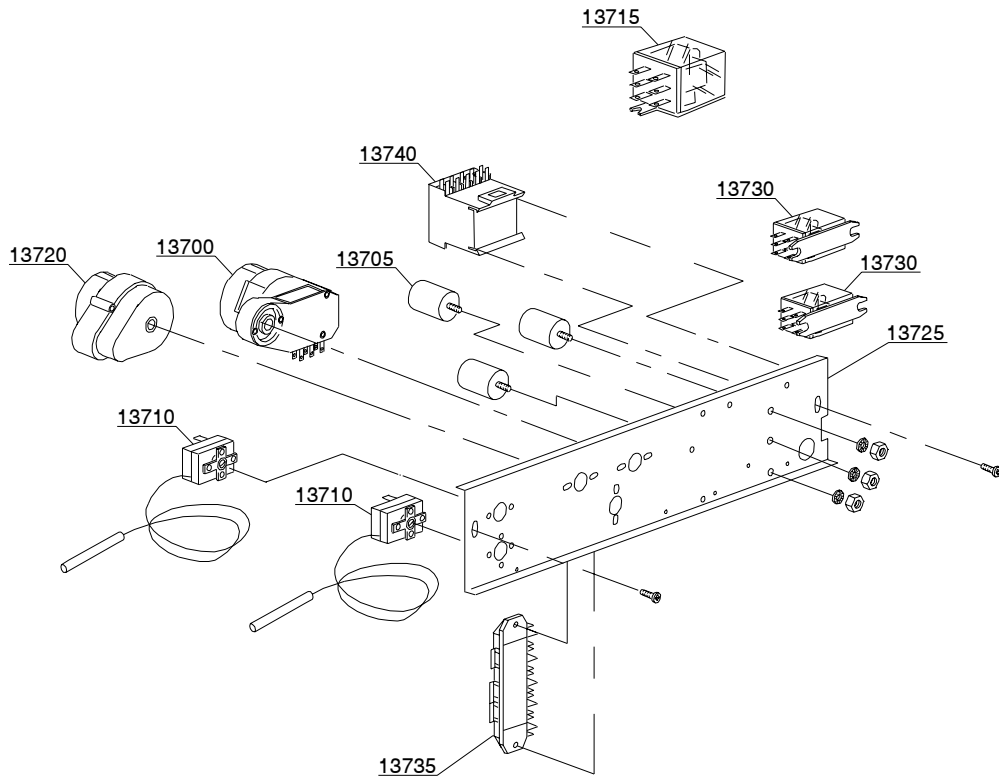
02_112_e

Spare parts

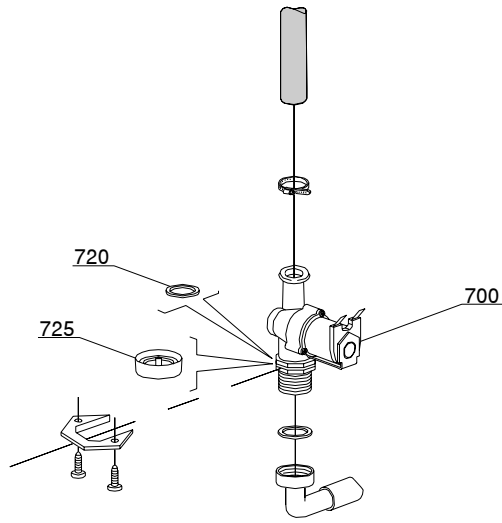
ID	P-code	Model	Type	Accessory	Voltage	Description
MODULE:Lockup system						
13400	450922		31U			Door
13405	450906		31U			Lower door
13410	150221		31U			Right/left door rod
13420	135222		31U			Hinge door seal
13425	11835/A		31U			Brass bush
13430	150210		31U			Right hinge door
13435	150211		31U			Left hinge door
13440	11121		31U			Self-tapping screw
13445	11721		31U			M6 self-locking nut
13450	11706		31U			M6 stainless steel nut
13455	11111		31U			Stainless steel screw



03_018_e



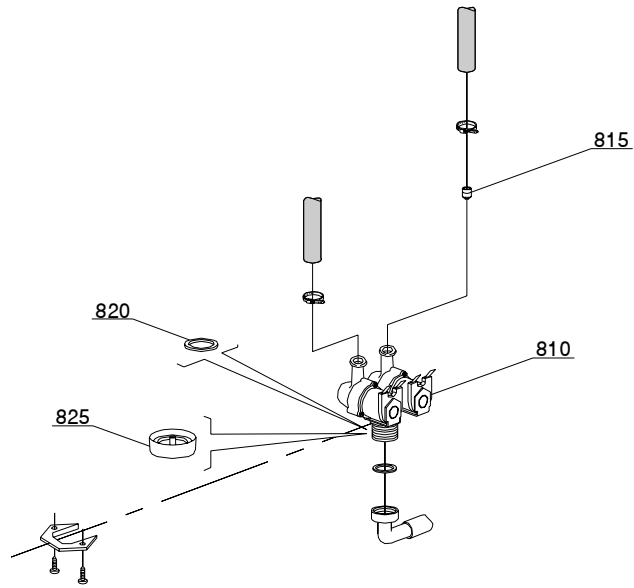
04_013_e



05_002_e

Spare parts

ID	P-code	Model	Type	Accessory	Voltage	Description
MODULE:Solenoid valve group						
700	10703		31U			Single solenoid valve
720	N.C.		31U			Pression reducing valve

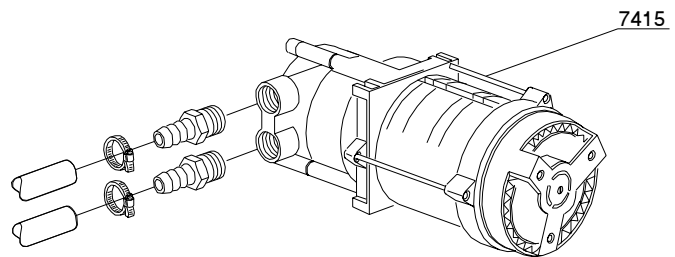
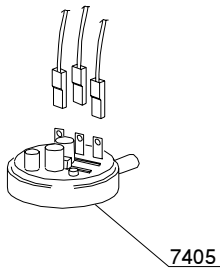
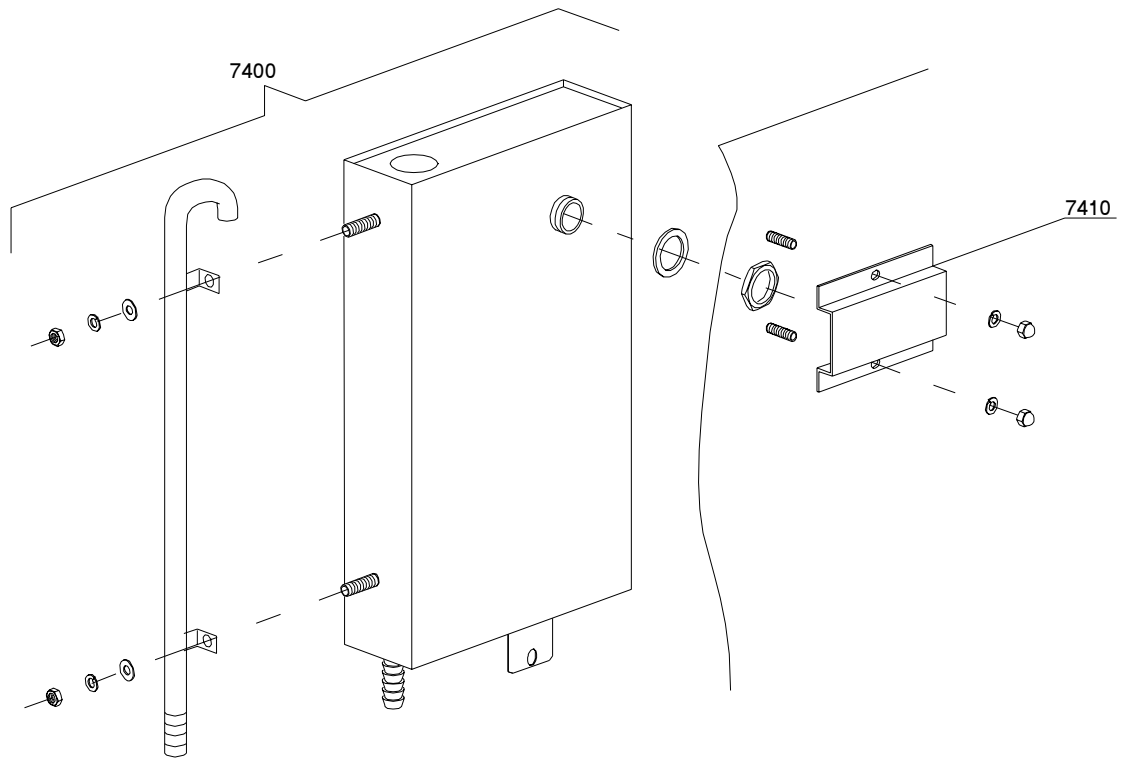


05_003_e

Spare parts

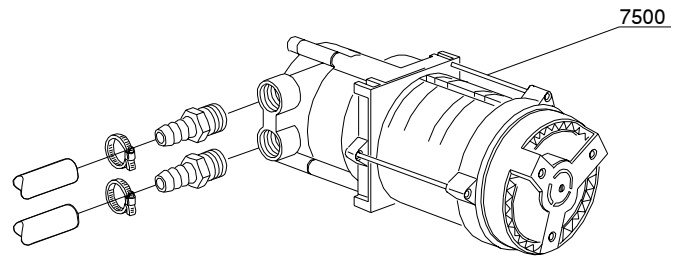
ID	P-code	Model	Type	Accessory	Voltage	Description
MODULE:Solenoid valve group						
810	15098		31U	cr,ws		Double solenoid valve - Ø10
815	15115		31U	cr,ws		Green pression solenoid valve
820	N.C.		31U	cr,ws		Pression reducing valve

06_002_e



Spare parts

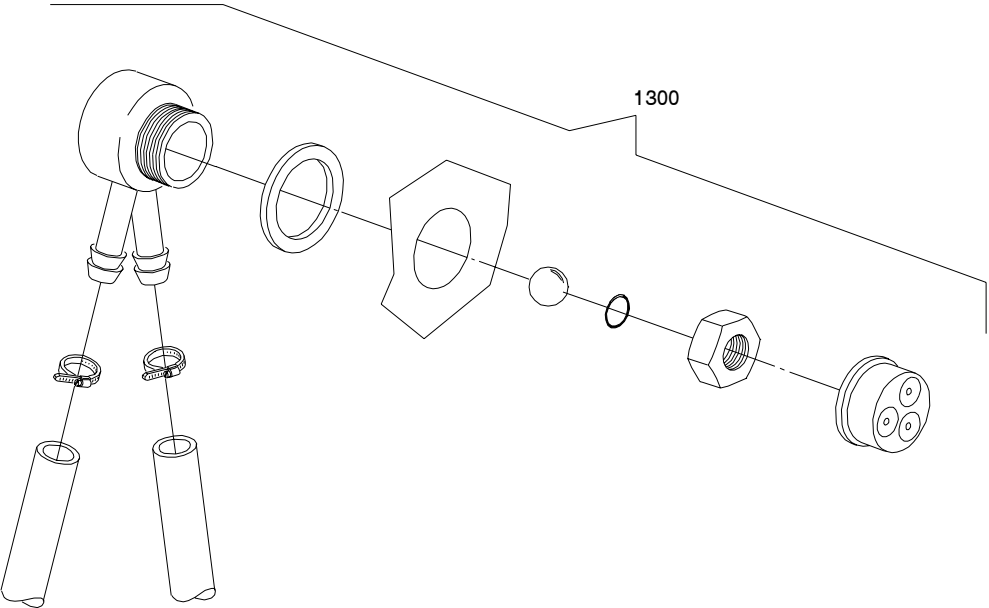
ID	P-code	Model	Type	Accessory	Voltage	Description
MODULE:Break Tank						
7400	15735		31U	bt		Break tank assembly
7405	10706/A		31U	bt		47-27 pressure switch
7410	15738		31U	bt		Hole protection
7415	15100/D		31U	bt		Booster pump



07_003_e

Spare parts

ID	P-code	Model	Type	Accessory	Voltage	Description
MODULE:Booster pump						
7500	15100/D		31U	bp		Booster pump

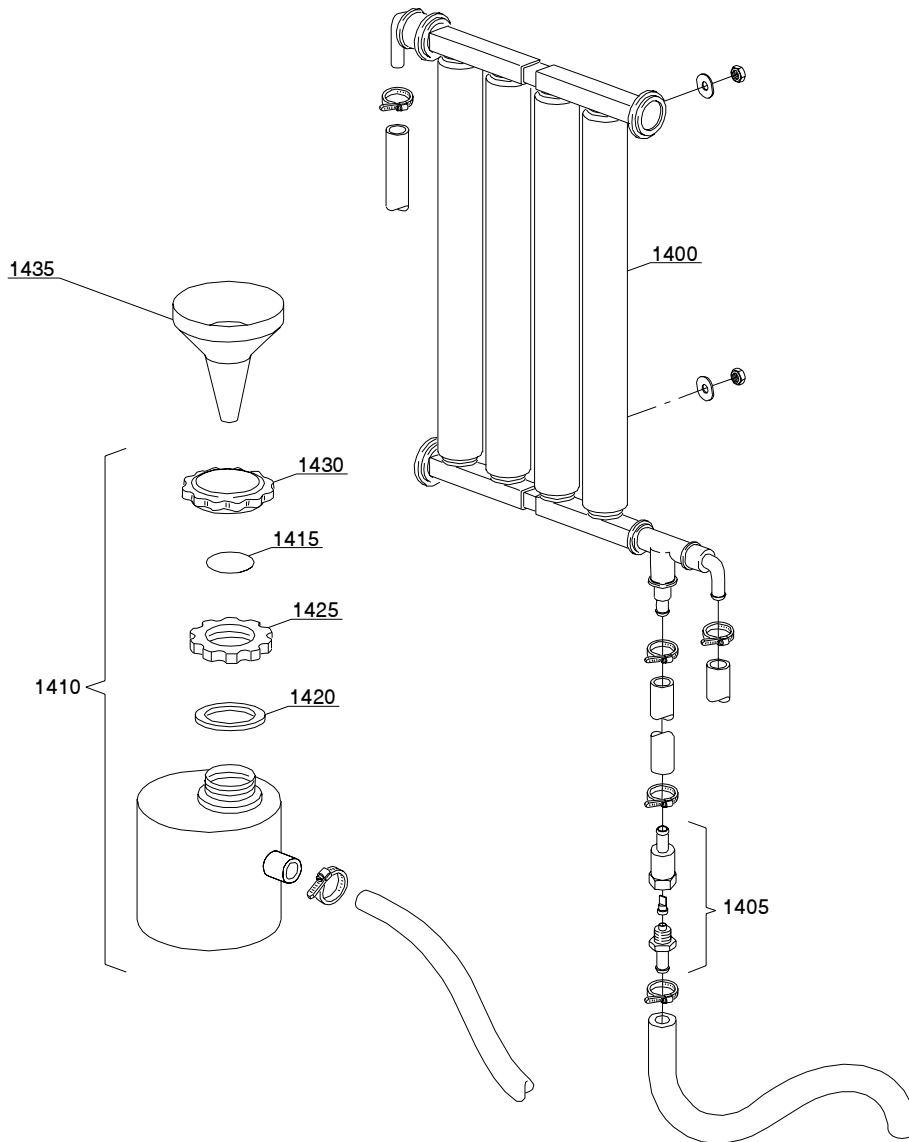


08_005_e

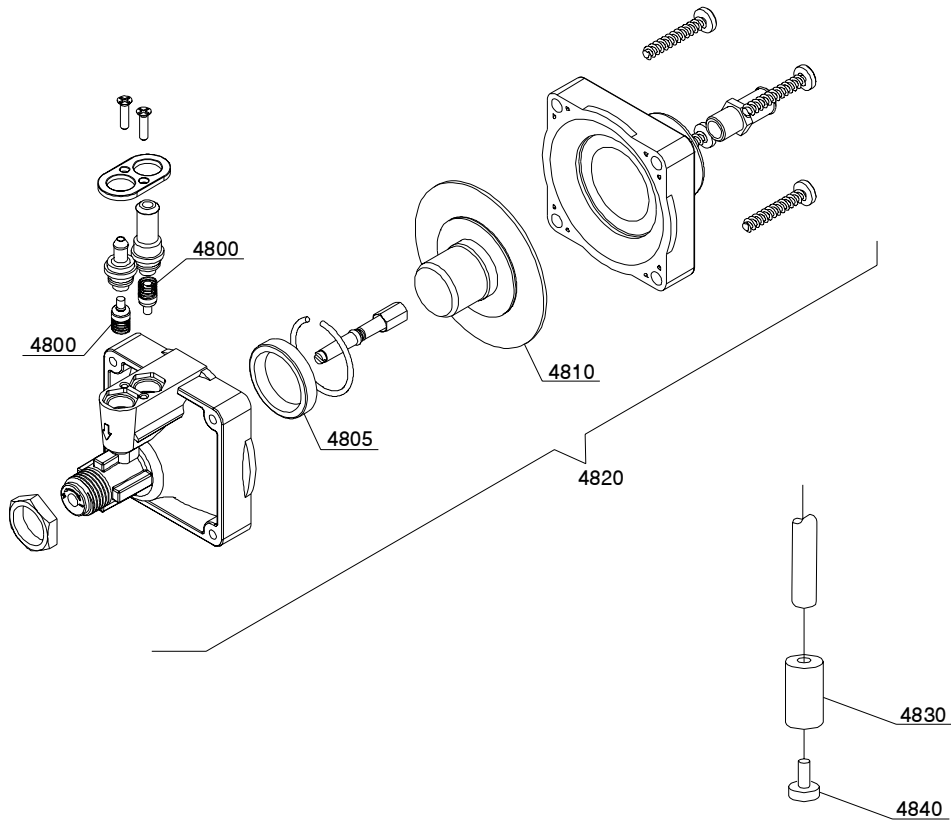
Spare parts

ID	P-code	Model	Type	Accessory	Voltage	Description
MODULE:DVGW						
1300	999900006		31U	dvgw		DVGW assembly

09_001_e



ID	P-code	Model	Type	Accessory	Voltage	Description
MODULE:Water softner group						
1400	16066		31U	ws		4 elements water softner
1405	16070		31U	ws		Nonreturn valve
1410	16065		31U	ws		Salt container
1415	16067/A		31U	ws		OR gasket
1420	16067/B		31U	ws		Gasket
1425	16067/C		31U	ws		Ring nut
1430	16067/D		31U	ws		Plug
1435	16082		31U	ws		Funnel

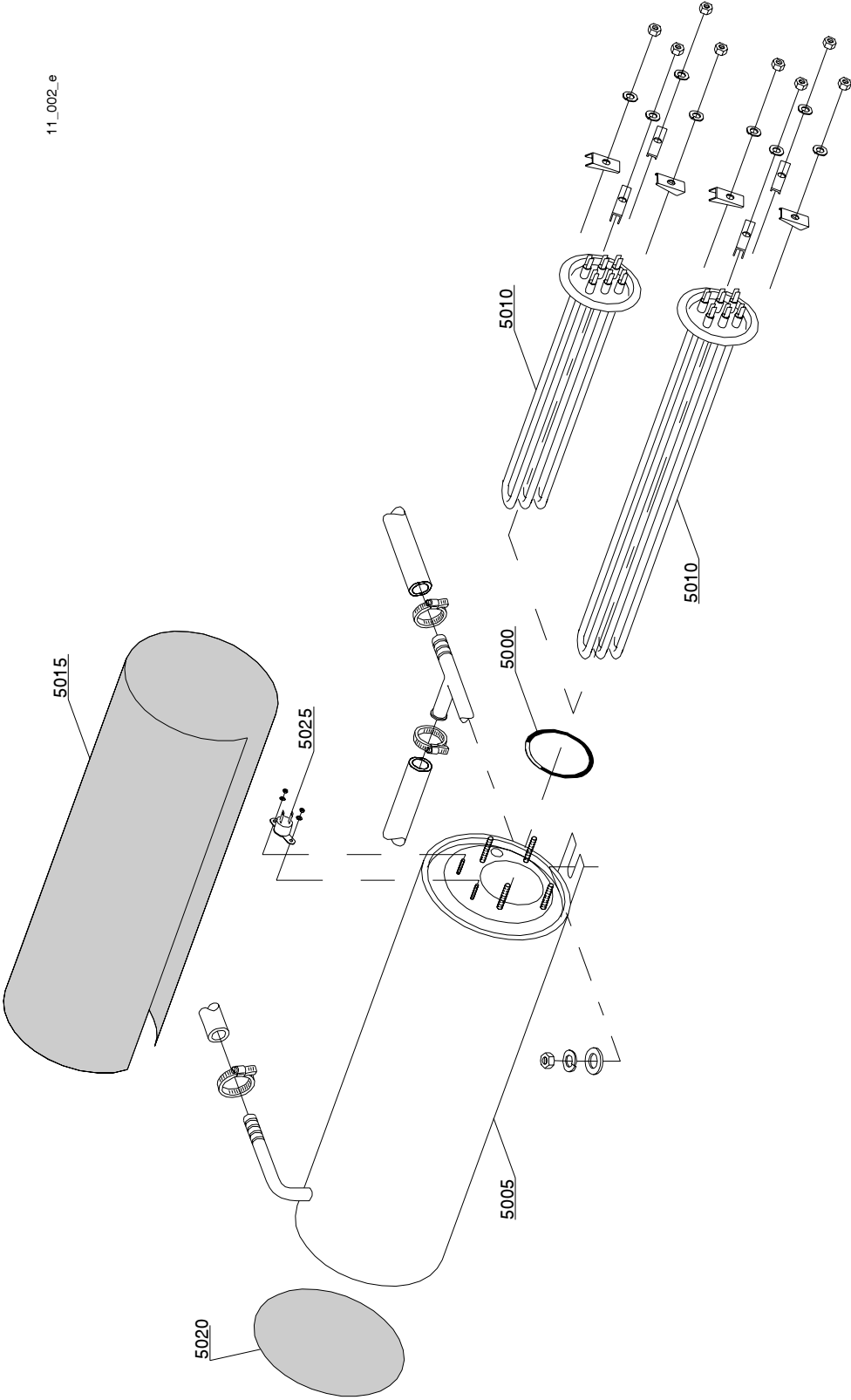


10_004_e

Spare parts

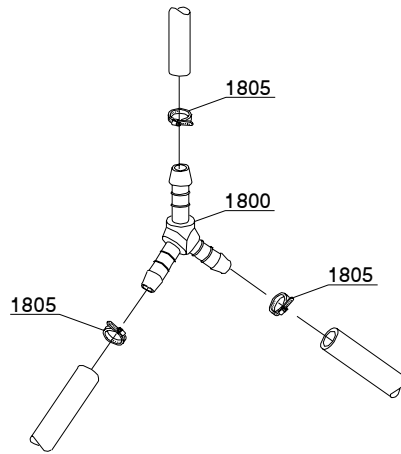
ID	P-code	Model	Type	Accessory	Voltage	Description
MODULE:Shining product dosing device group						
4800	10805		31U			Tecnopro dosing valve
4805	10806		31U			Ø22 gasket
4810	10807		31U			Membrane
4820	10799		31U			Shining product dosing device
4830	12525		31U			Counter-weight
4840	15058		31U			Small filter

11_002_e



Spare parts

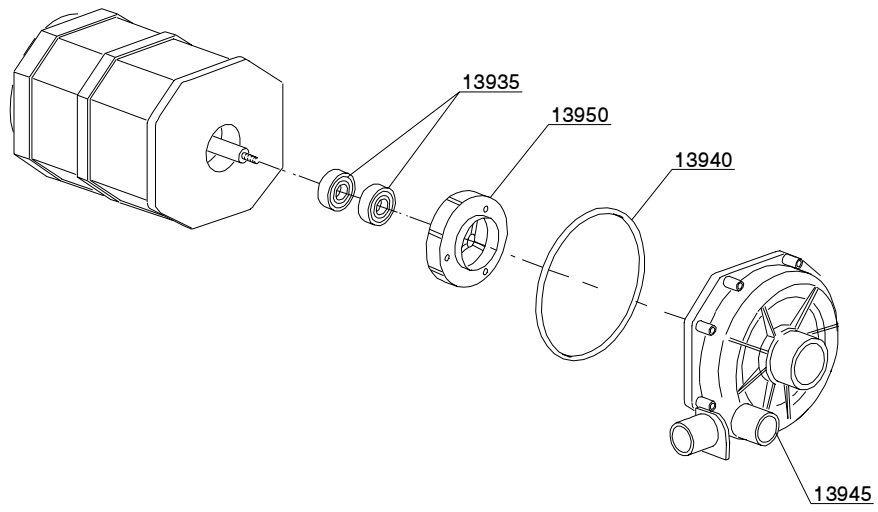
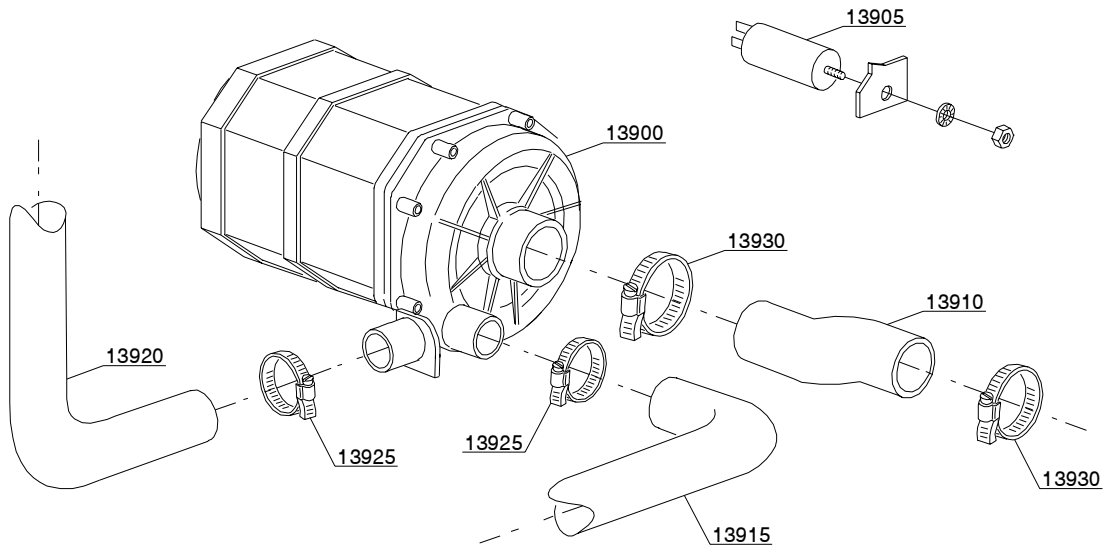
ID	P-code	Model	Type	Accessory	Voltage	Description
MODULE:Boiler group						
5000	13005		31U			OR 151 NBR gasket
5005	150905		31U			Boiler
5010	15089		31U			4,5KW heating element
5010	15089/D		31U			2,5KW - 220V heating element
5010	15089/E		31U			6KW - 230V heating element
5010	15046		31U			3KW heating element
5015	15066		31U			Insulating boiler
5020	15205		31U			Ø160 bottom
5025	15550		31U			Safety thermostat



12_003_e

Spare parts

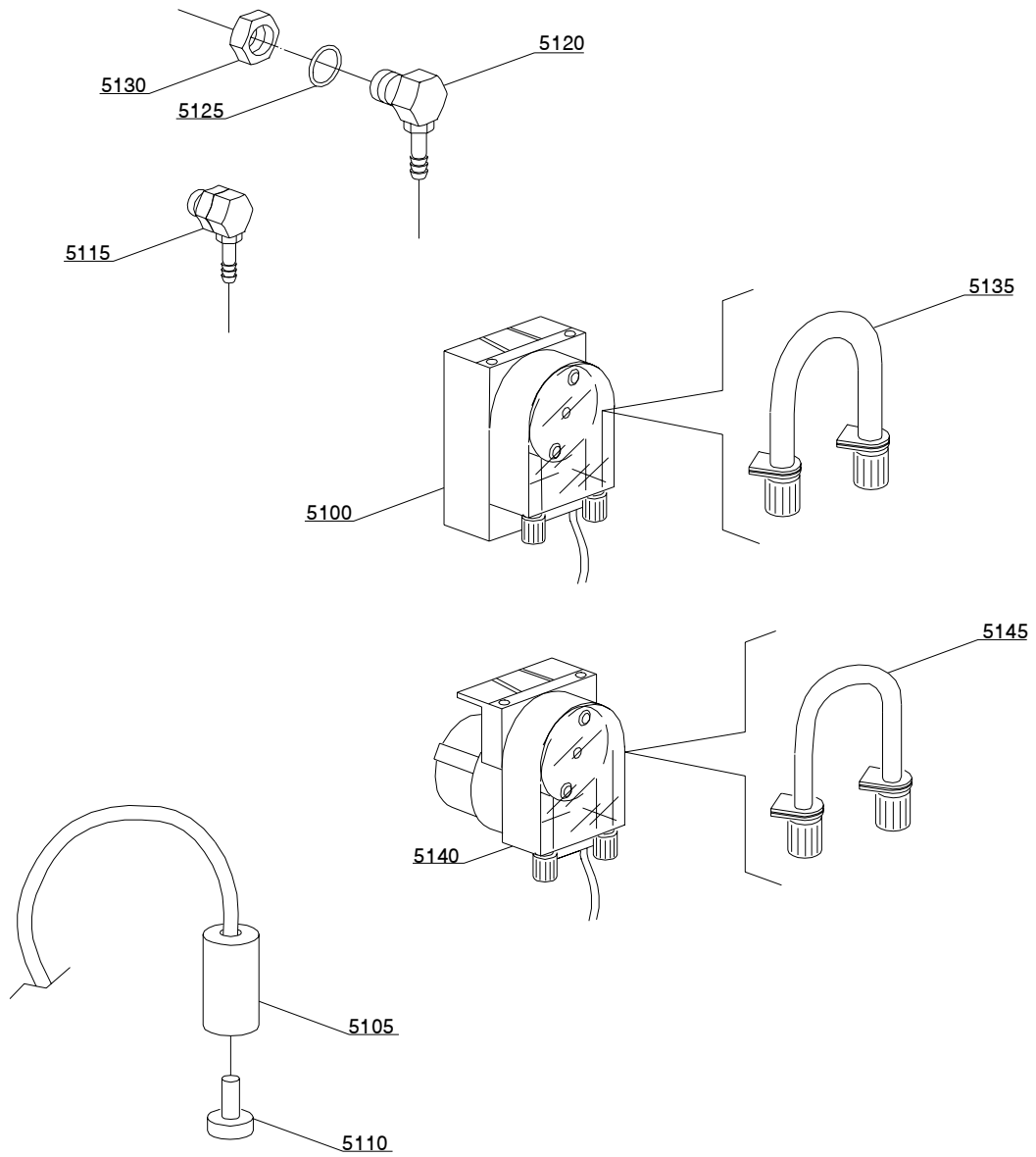
ID	P-code	Model	Type	Accessory	Voltage	Description
MODULE:3 ways derivation						
1800	540091		31U			Ø12 mm plastic 3 ways derivation
1805	11807		31U			12/22 clamp



13_110_e

Spare parts

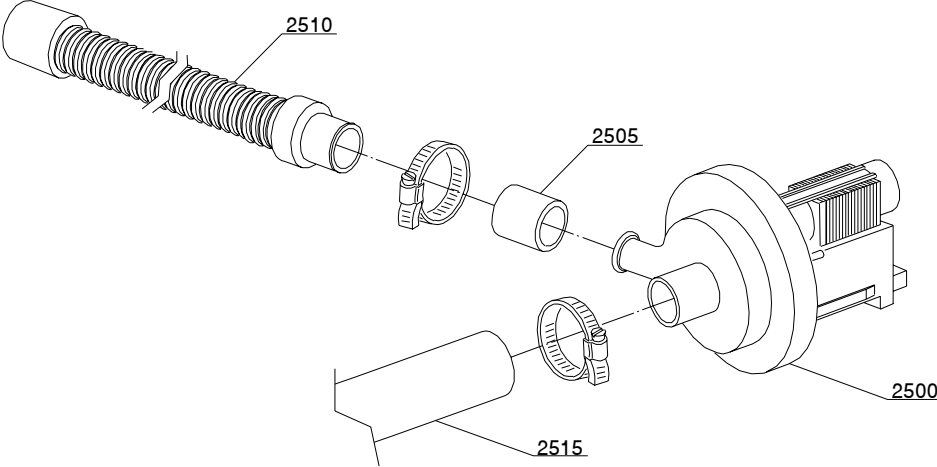
ID	P-code	Model	Type	Accessory	Voltage	Description
MODULE:Wash pump						
13900	150914		31U			0,70Hp wash pump
13905	15081		31U			12,5 uF condenser
13910	25032/A		31U			Suction pipe coupling
13915	150049		31U			Lower wash pipe coupling
13920	150048/A		31U			Wash ramp
13925	11806		31U			25/40 clamp
13930	11809		31U			30/45 clamp
13935	15080		31U			Rotating seals
13940	7130		31U			OR pump gasket
13945	16182		31U			Scroll
13950	15079/F		31U			Pump rotor



14_004_e

Spare parts

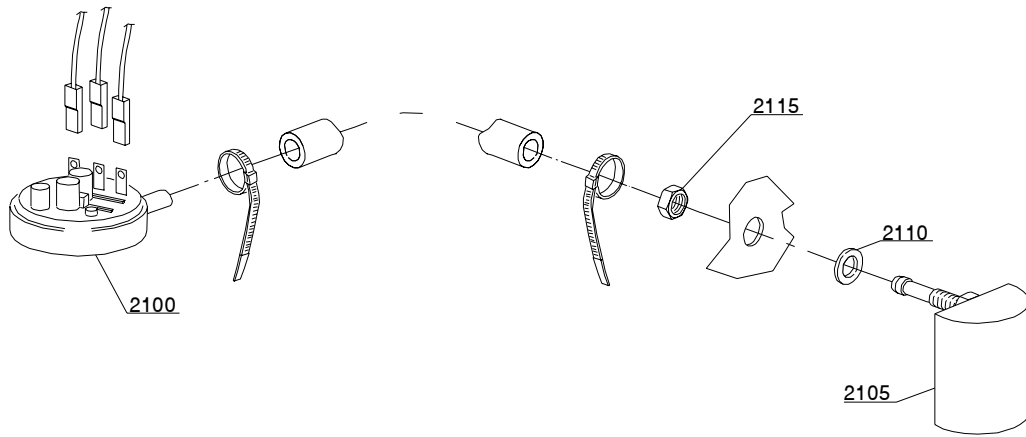
ID	P-code	Model	Type	Accessory	Voltage	Description
MODULE:Dosing device group						
5100	15985		31U	dd		Seko dosing device
5105	12525		31U	dd		Counter-weight
5110	15058		31U	dd		Small filter
5115	15123		31U	dd		Compleat plastic injector
5120	15148		31U	dd		Steel injector
5125	15159		31U	dd		OR gasket
5130	10200205		31U	dd		M12x1 stainless steel nut
5135	15185		31U	dd		Seko thermoplastic pipe
5140	15985		31U	dd		Germac dosing device
5145	15108/E		31U	dd		Germac thermoplastic pipe



15_004_e

Spare parts

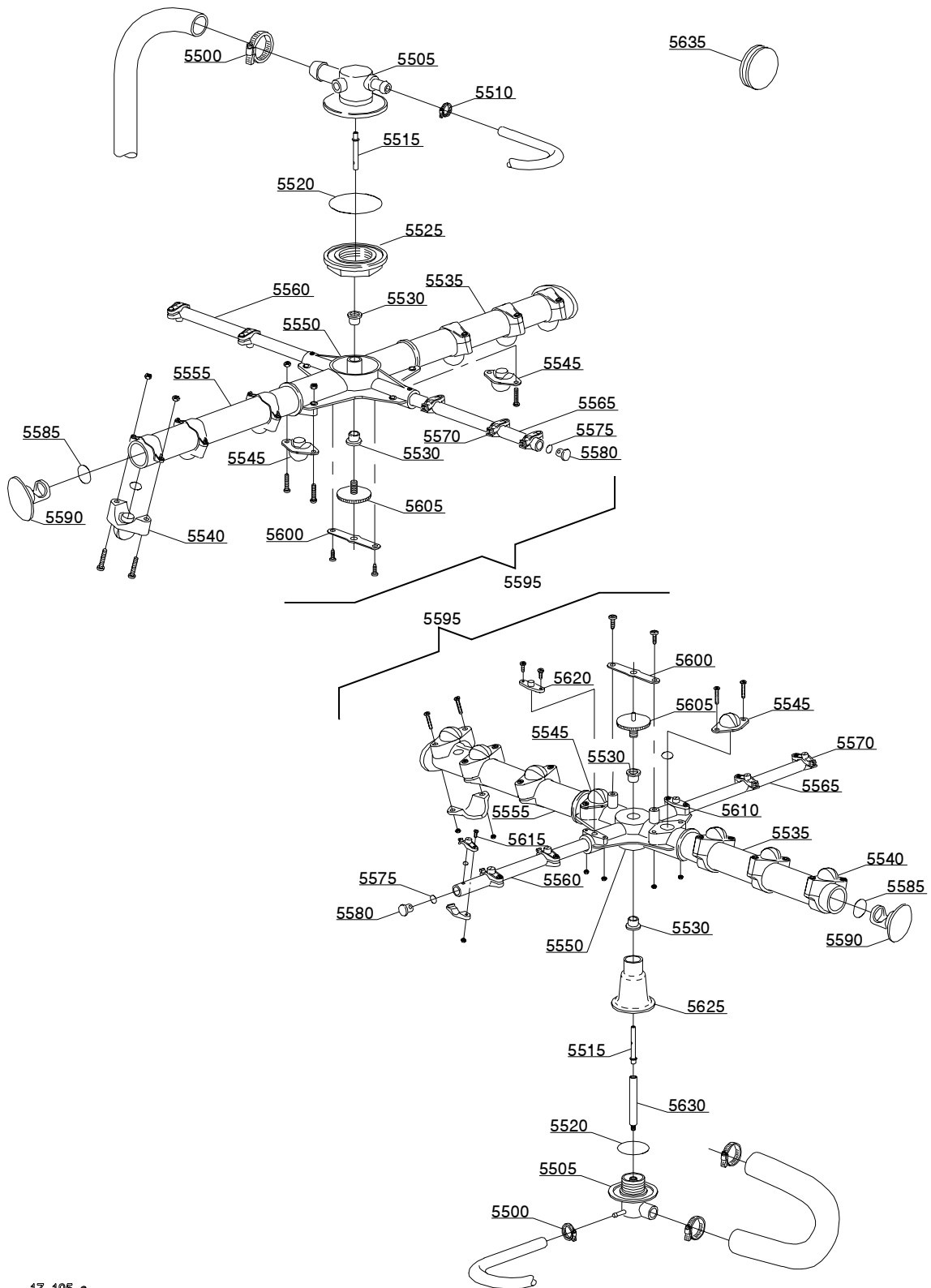
ID	P-code	Model	Type	Accessory	Voltage	Description
MODULE:Drain pump group						
2500	15101		31U	dp		Drain pump
2505	15101/D		31U	dp		Pipe fitting
2510	10727		31U	dp		Drain pipe
2515	15131		31U	dp		Drain coude/pump connection pipe



16_001_e

Spare parts

ID	P-code	Model	Type	Accessory	Voltage	Description
MODULE:Pressure switch group with air trap						
2100	10706/A		31U			47-27 pressure switch
2105	10911/B		31U			Air trap assembly
2110	13301		31U			Gasket
2115	11702		31U			M8 stainless steel nut



17_105_e

